



SKYLINE BOTTOM UP

INSTALLATION MANUAL



SHADES BY MATISS
custom shading solutions

www.shadesbymatiss.com
800.493.2040



CONTENTS

SECTION A ITEMS REQUIRED	3
ASSEMBLY PARTS	3
SECTION B INSTALLATION	4
BRACKETS	4
TOP ASSEMBLY	5
BOTTOM ASSEMBLY	5
COVERS	6
SECTION C TROUBLESHOOTING	7
TRUBLESHOOTING.....	7

DISCLAIMER

INTRODUCTION

This Installation manual for Skyline Bottom Up has been produced by Rollease Acmeda to supply the necessary information for the safe and correct installation of Skyline Bottom Up.

DISCLAIMER

Rollease Acmeda has used reasonable care in preparing the information included in this document, but makes no representations or warranties as to the completeness or accuracy of the information. Information is supplied upon the condition that the persons receiving the information will make their own determination as to its suitability for their purposes prior to use. Rollease Acmeda assumes no liability whatsoever for any damages incurred by you resulting from errors in or omissions from the information included herein. Rollease Acmeda reserves the right to make changes without further notice to any products to improve reliability, function or design.

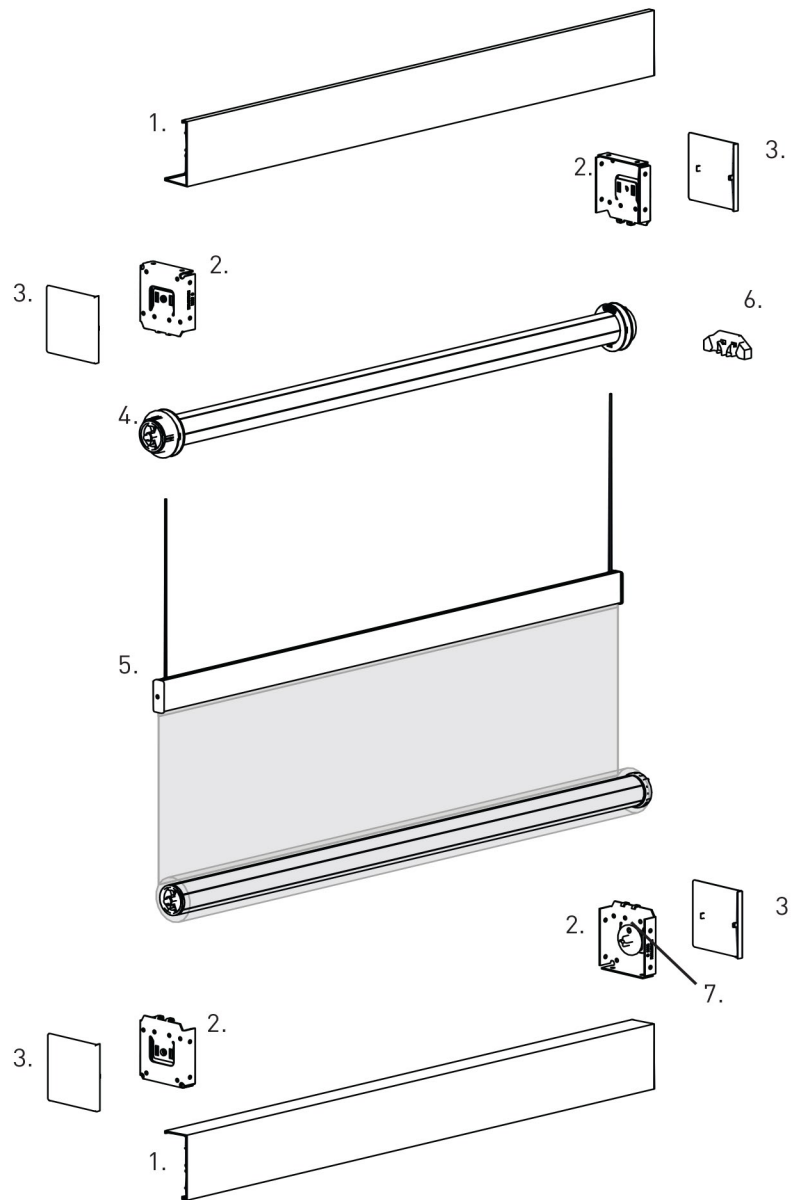
COPYRIGHT

COPYRIGHT © ROLLEASE ACMEDA

All rights are reserved. No part of this document may be reproduced or utilised in any means, by any means, electronic or mechanical including photocopying, recordings, or by any information storage or retrieval system, without the express permission from Rollease Acmeda.



ASSEMBLY PARTS



SYSTEM INDEX:

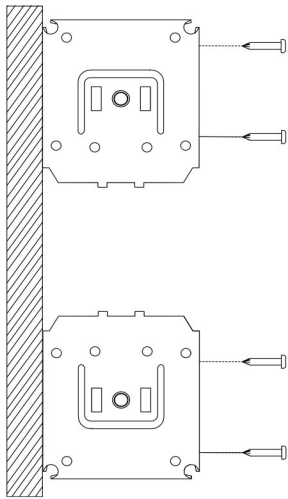
1. Skyline Fascia
2. Skyline Bracket
3. Skyline Bracket Cover
4. Top Tube & Control Assembly
5. Bottom Tube & Rail Assembly
6. Skyline Chain Diverter (3" Fascia Brackets only, clutch control option only)
7. Skyline Adaptor



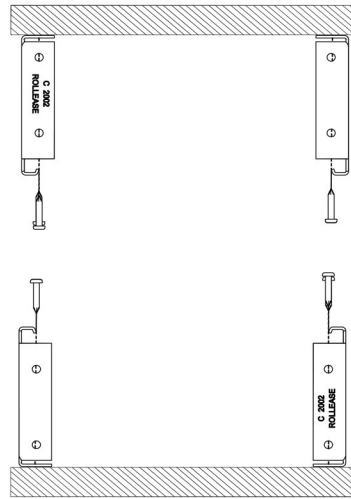
BRACKETS

STEP 1. - ATTACH BRACKETS TO WALL/CEILING

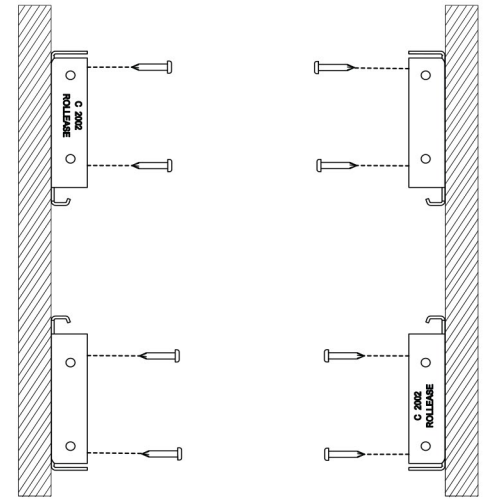
WALL MOUNT



CEILING/FLOOR MOUNT

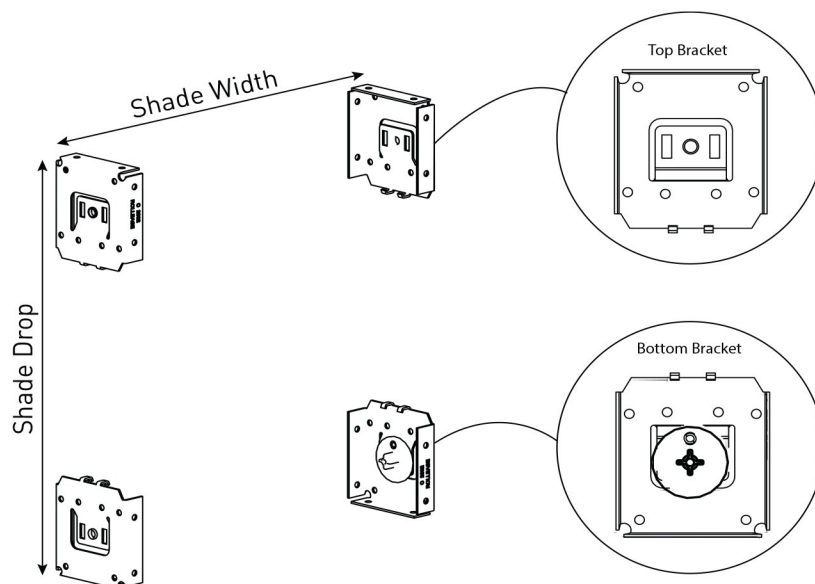
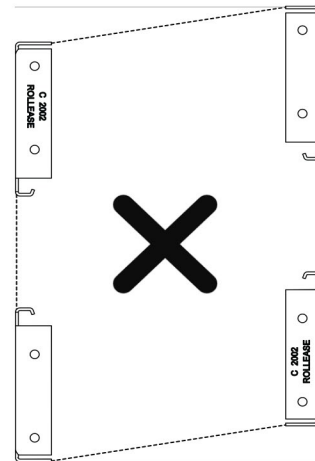
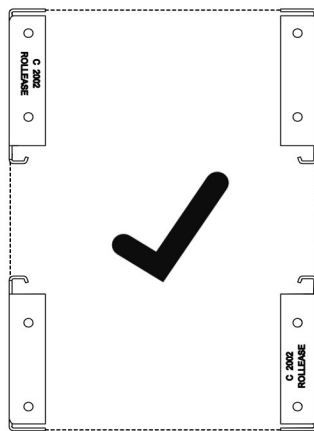


INSIDE MOUNT



STEP 2. - ENSURE STRAIGHT ALIGNMENT

Ensure brackets are in line.

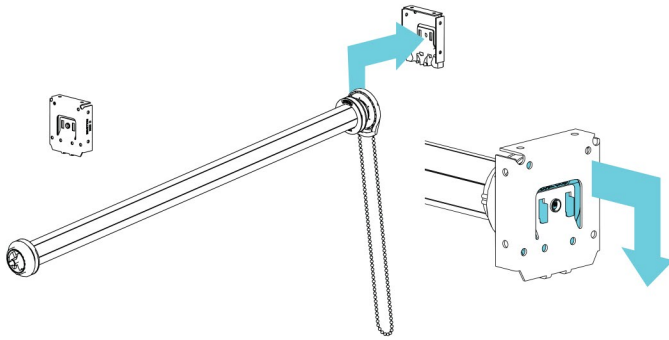




TOP ASSEMBLY

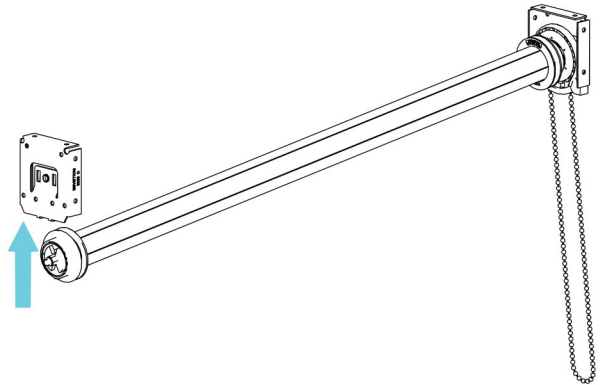
STEP 1. - LOCK CONTROL HOOKS TO THE BRACKET

Ensure that the Control hooks are locked to the bracket.



STEP 2. - SWING PIN END INTO THE BRACKET

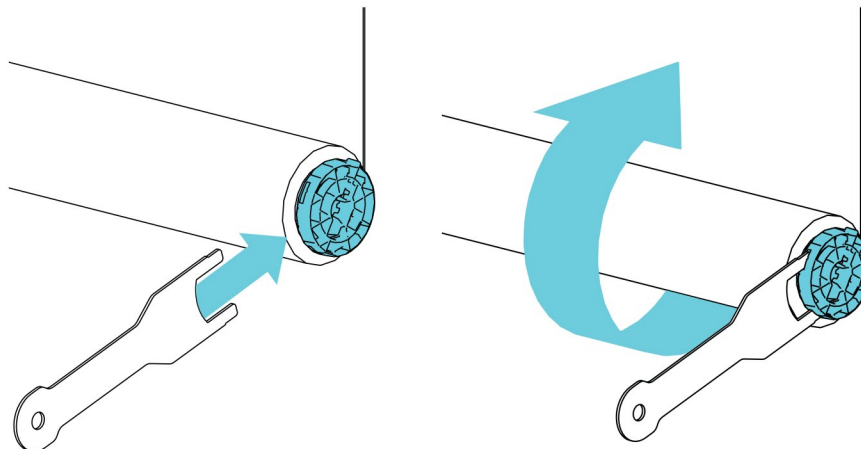
Swing the Pin End into the bracket.



BOTTOM ASSEMBLY

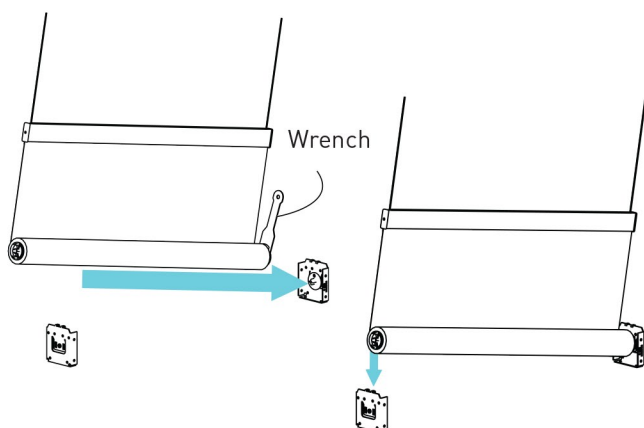
STEP 1. - PRE-TENSION BOOSTER

Use Booster pre-tension tool to pre-tension the Booster with clockwise rotations.



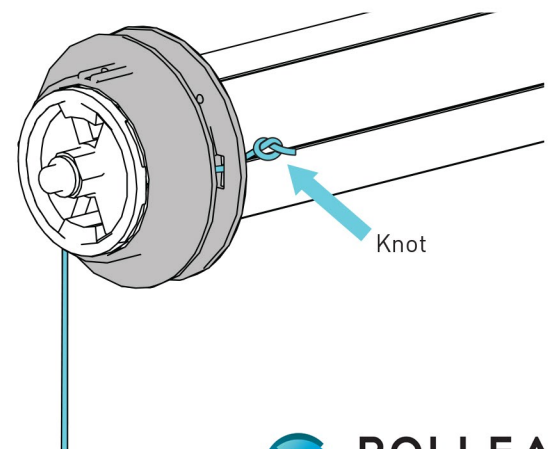
STEP 2. - ATTACH BOTTOM ASSEMBLY

Attach bottom assembly to the bottom brackets (spring side first). Wrench is used to keep tension in the spring while installing the bottom assembly to brackets.



STEP 3. - ATTACH CORD

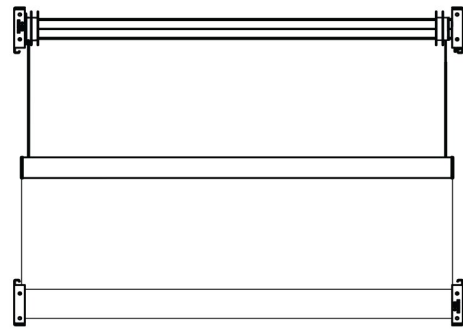
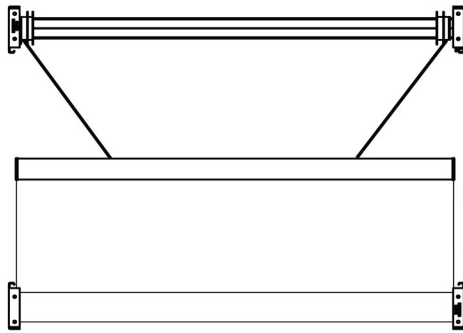
Attach cord to the spools by tying a knot.





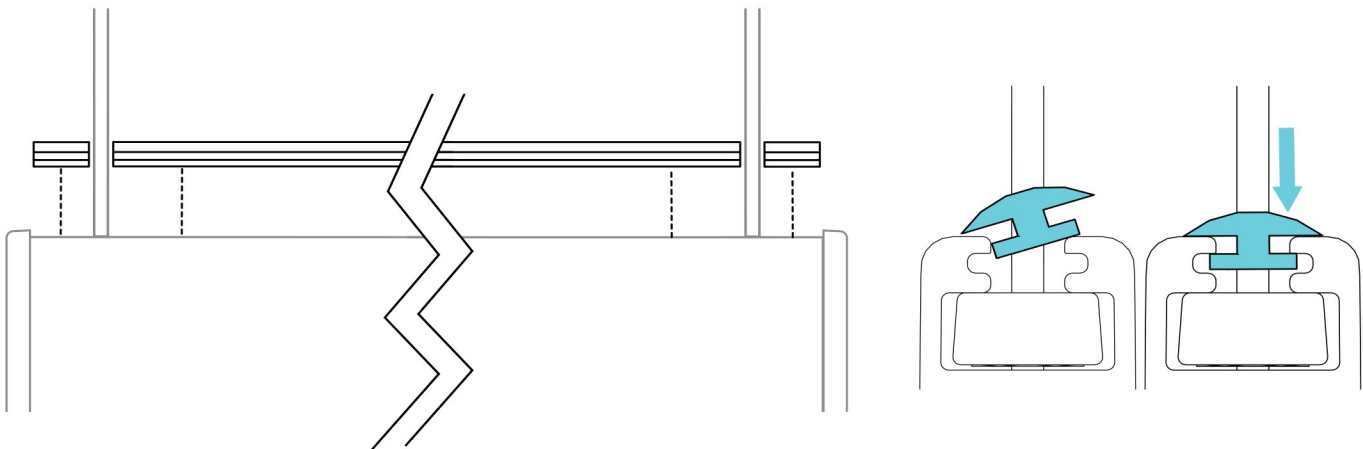
STEP 4. - ADJUST CORD GUIDES

Adjust the cord guides so that the cords are vertical.



STEP 5. - ATTACH RAIL SEAL

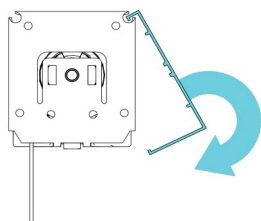
Cut rail seal in 2 places to suit cord location.



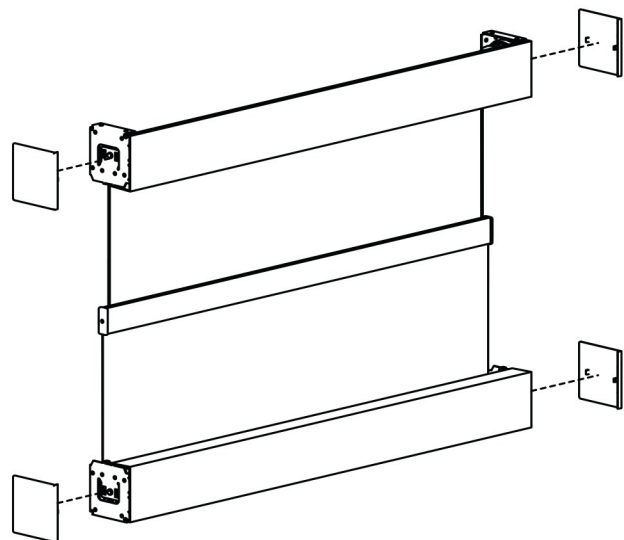
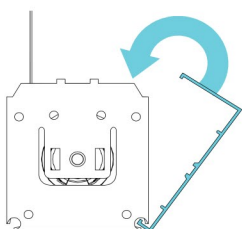
COVERS

STEP 6. - ATTACH FASCIA AND BRACKET COVERS

TOP FASCIA



BOTTOM FASCIA





TROUBLESHOOTING

PROBLEM	CAUSE	SOLUTION
1. Fabric roll returns slowly.	1a) Low bottom booster pre-turns	Increase bottom booster pre-turns <ol style="list-style-type: none"> 1. Lower shade 2. Use pre-tension tool to lock chainfree control 3. Remove bottom tube 4. Apply additional pre-turns 5. Re-install bottom tube
2. Heavy when raising the weight bar	2a) Bottom Booster Pre-turns too high	Reduce bottom booster pre-turns <ol style="list-style-type: none"> 1. Lower shade 2. Use pre-tension tool to lock chainfree control 3. Remove bottom tube 4. Remove pre-turns 5. Re-install bottom tube
	2b) Top Booster Pre-turns too low (if applicable)	Increase top booster pre-turns <ol style="list-style-type: none"> 1. Lower shade 2. Remove top tube 3. Apply additional pre-turns 4. Re-install top tube
3. Heavy when lowering the shade	3a) Top Booster Pre-turns too high (if applicable)	Reduce top booster pre-turns <ol style="list-style-type: none"> 1. Lower shade 2. Remove top tube 3. Remove pre-turns 4. Re-install top tube
4. Poor visual appearance of fabric	4a) Shade tension too low	Increase bottom booster pre-turns <ol style="list-style-type: none"> 1. Lower shade 2. Use pre-tension tool to lock chainfree control 3. Remove bottom tube 4. Apply additional pre-turns 5. Re-install bottom tube
	4b) Weight bar sagging	Move spools & cord guides inwards (MAX 30% of blind width from edge)