



FASCIA - 5 inch Systems
PRODUCT SPECIFICATIONS



CONTENTS

SECTION A OVERVIEW	3
CLUTCH CONTROL SCHEMATICS	3
MOTORIZED CONTROL SCHEMATICS	4
SECTION B SPECIFICATIONS	6
ARCHITECTURAL VIEWS	6
COLOR OPTIONS ..	6
MAXIMUM ROLL DIAMETERS	7
TUBE DEDUCTIONS	8
SECTION C ASSEMBLY & INSTALLATION	9
5" FASCIA - SKYLINE CLUTCH SINGLE	9
5" FASCIA - SKYLINE CLUTCH DUAL	10
5" FASCIA - AUTOMATE MOTOR SINGLE	11
5" FASCIA - AUTOMATE MOTOR DUAL	12
5" FASCIA - 3RD PARTY MOTORS SINGLE	13

DISCLAIMER

INTRODUCTION

This Product Specifications manual for 5" Fascia Systems has been produced by Rollease Acmeda to supply the necessary information for the safe and correct installation of 5" Fascia Systems.

DISCLAIMER

Rollease Acmeda has used reasonable care in preparing the information included in this document, but makes no representations or warranties as to the completeness or accuracy of the information. Information is supplied upon the condition that the persons receiving the information will make their own determination as to its suitability for their purposes prior to use. Rollease Acmeda assumes no liability whatsoever for any damages incurred by you resulting from errors in or omissions from the information included herein. Rollease Acmeda reserves the right to make changes without further notice to any products to improve reliability, function or design.

COPYRIGHT

COPYRIGHT © ROLLEASE ACMEDA

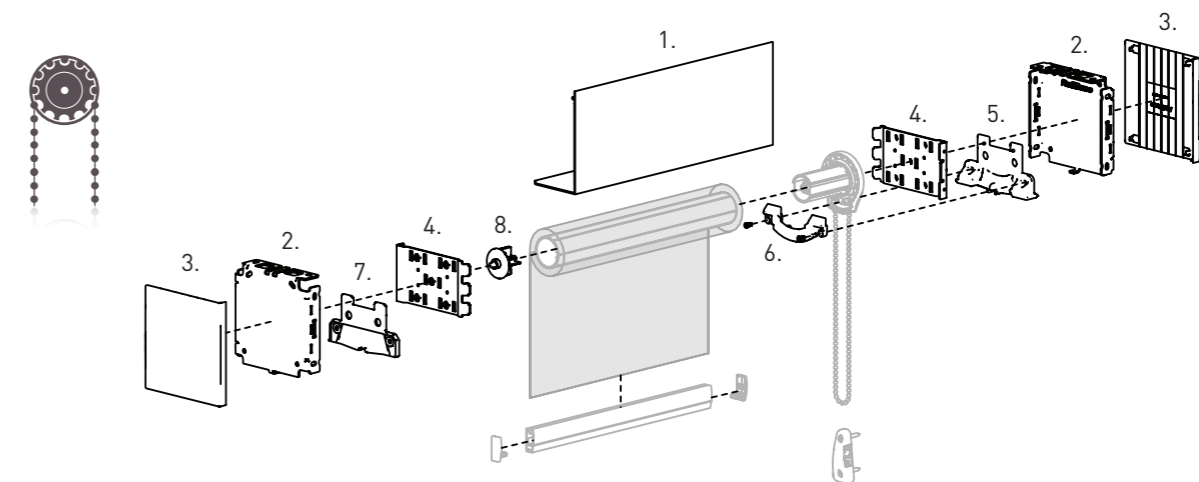
All rights are reserved. No part of this document may be reproduced or utilised in any means, by any means, electronic or mechanical including photocopying, recordings, or by any information storage or retrieval system, without the express permission from Rollease Acmeda.



SECTION A | OVERVIEW

CLUTCH CONTROL SCHEMATICS

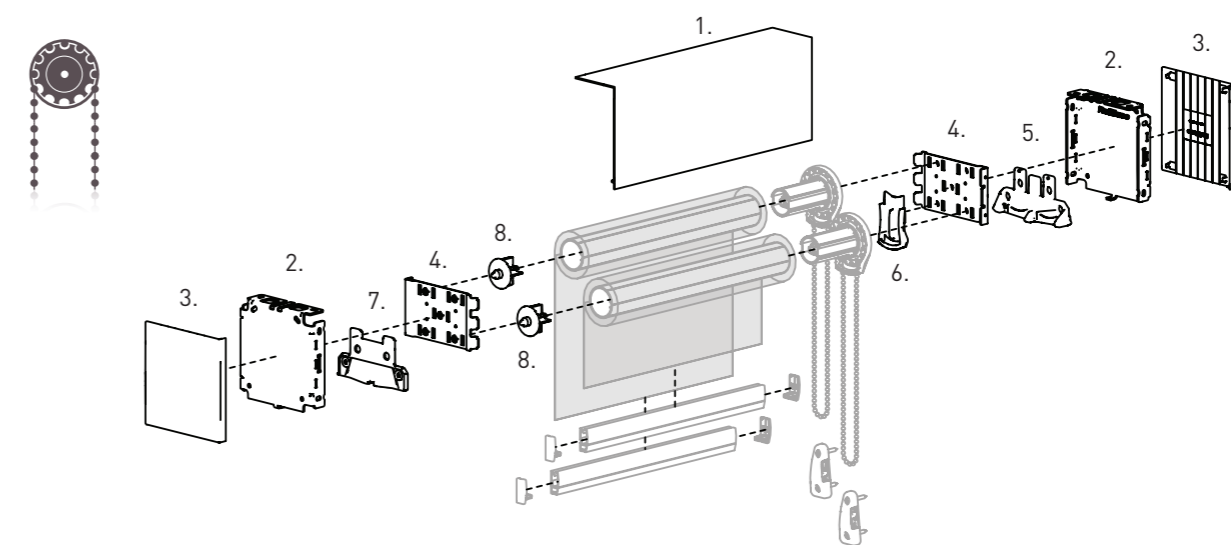
SKYLINE SINGLE SHADE



SYSTEM INDEX:

- | | |
|----------------------------|---|
| 1. 5" Fascia Panel | 6. Single Chain Guard (Not needed for SL30 or G400) |
| 2. 5" Fascia Base Bracket | 7. Pin End Guide |
| 3. 5" Fascia Bracket Cover | 8. Skyline Pin End |
| 4. Skyline Insert Pair | |
| 5. Single Diverter | |

SKYLINE DUAL SHADE

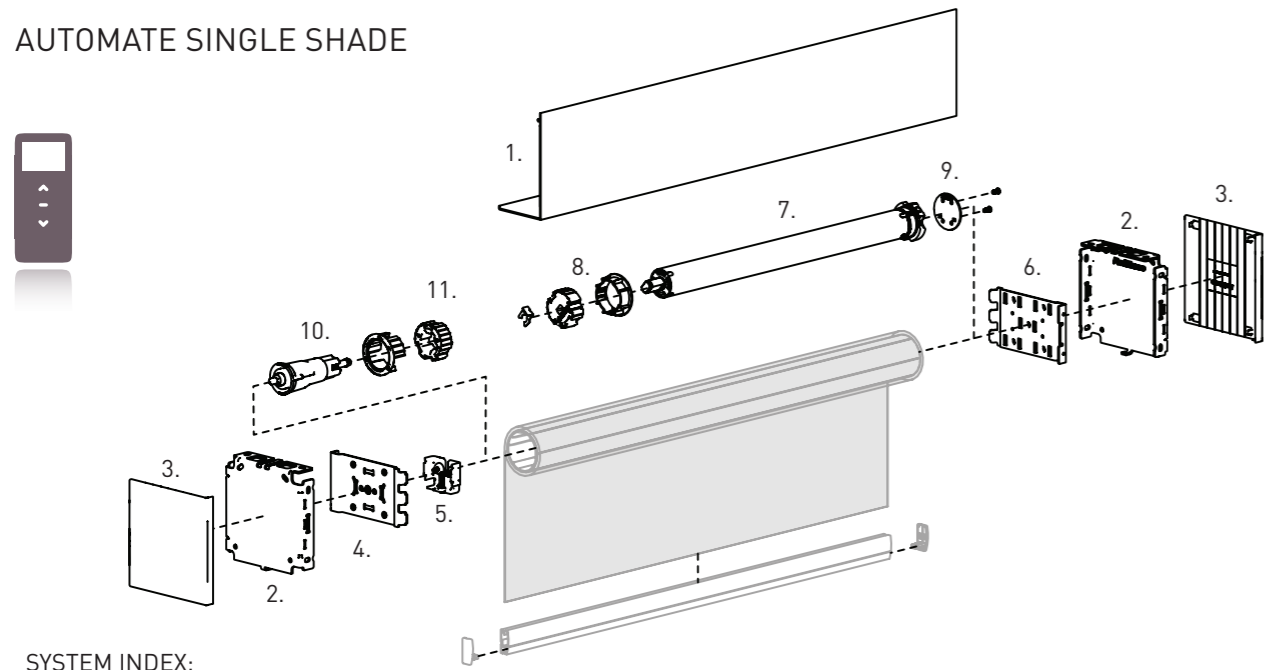


SYSTEM INDEX:

- | | |
|----------------------------|---------------------|
| 1. 5" Fascia Panel | 6. Dual Chain Guide |
| 2. 5" Fascia Base Bracket | 7. Pin End Guide |
| 3. 5" Fascia Bracket Cover | 8. Skyline Pin End |
| 4. Skyline Insert Pair | |
| 5. Dual Diverter | |

MOTORIZED CONTROL SCHEMATICS

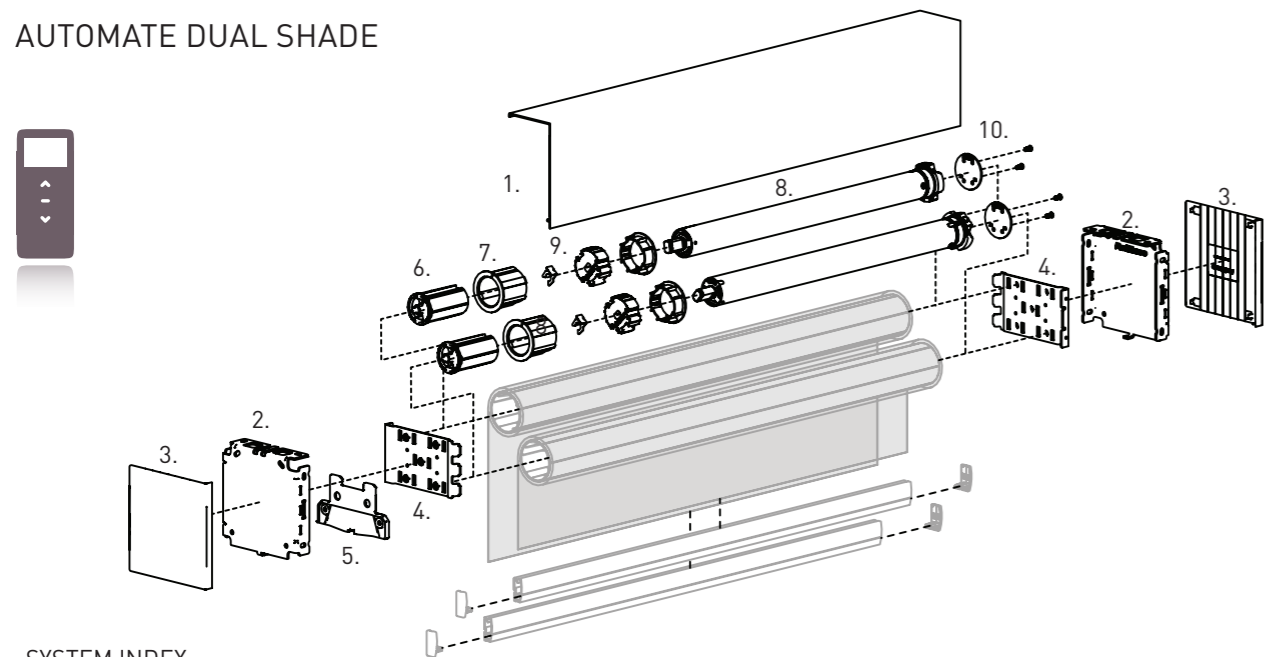
AUTOMATE SINGLE SHADE



SYSTEM INDEX:

- | | |
|--|----------------------------------|
| 1. 5" Fascia Panel | 7. AUTOMATE ARC Motor |
| 2. 5" Fascia Base Bracket | 8. AUTOMATE Crown & Drive Kit |
| 3. 5" Fascia Bracket Cover | 9. AUTOMATE Adapter |
| 4. Fascia R-Series Single & Motor Idler Insert | 10. Motor Shade Idler Silent Pin |
| 5. Silent Pin Idler Yoke Kit | 11. Silent Pin Crown & Drive Kit |
| 6. Skyline Insert Plate | |

AUTOMATE DUAL SHADE

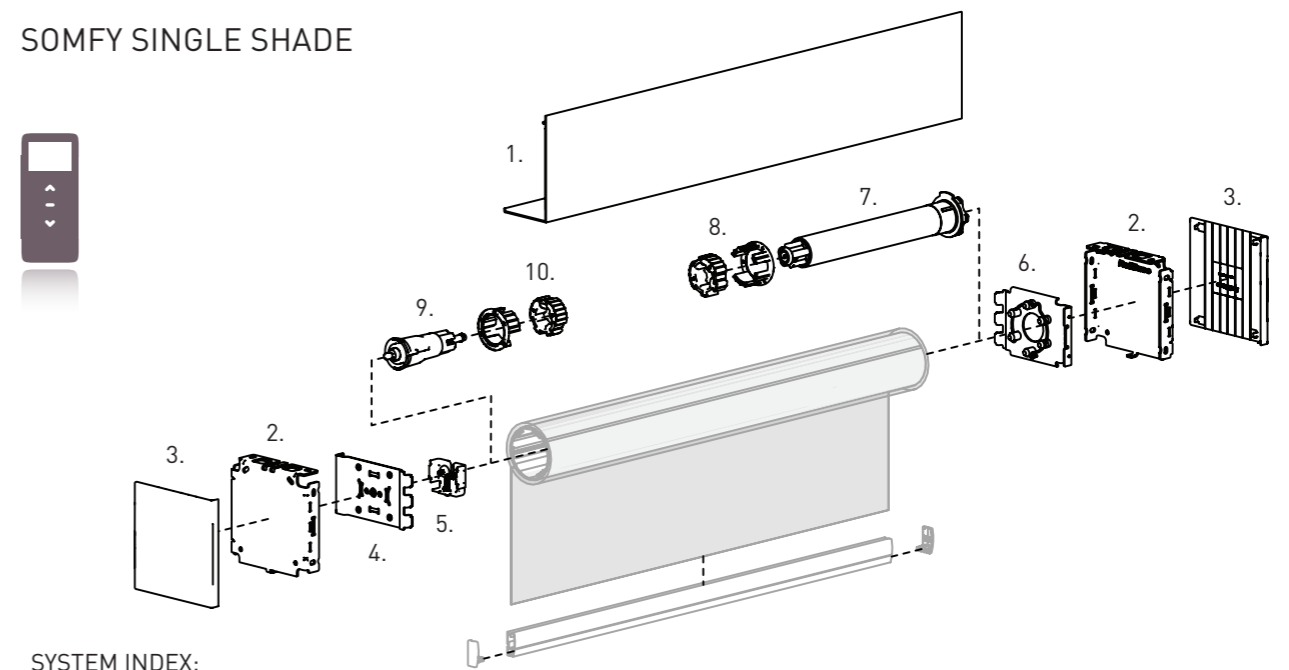


SYSTEM INDEX:

- | | |
|-------------------------------|-------------------------------|
| 1. 5" Fascia Panel | 7. Adapter |
| 2. 5" Fascia Base Bracket | 8. AUTOMATE ARC Motor |
| 3. 5" Fascia Bracket Cover | 9. AUTOMATE Crown & Drive Kit |
| 4. Skyline Insert Pair | 10. AUTOMATE Adapter |
| 5. Pin End Guide | |
| 6. Skyline Heavy Duty Pin End | |

MOTORIZED CONTROL SCHEMATICS

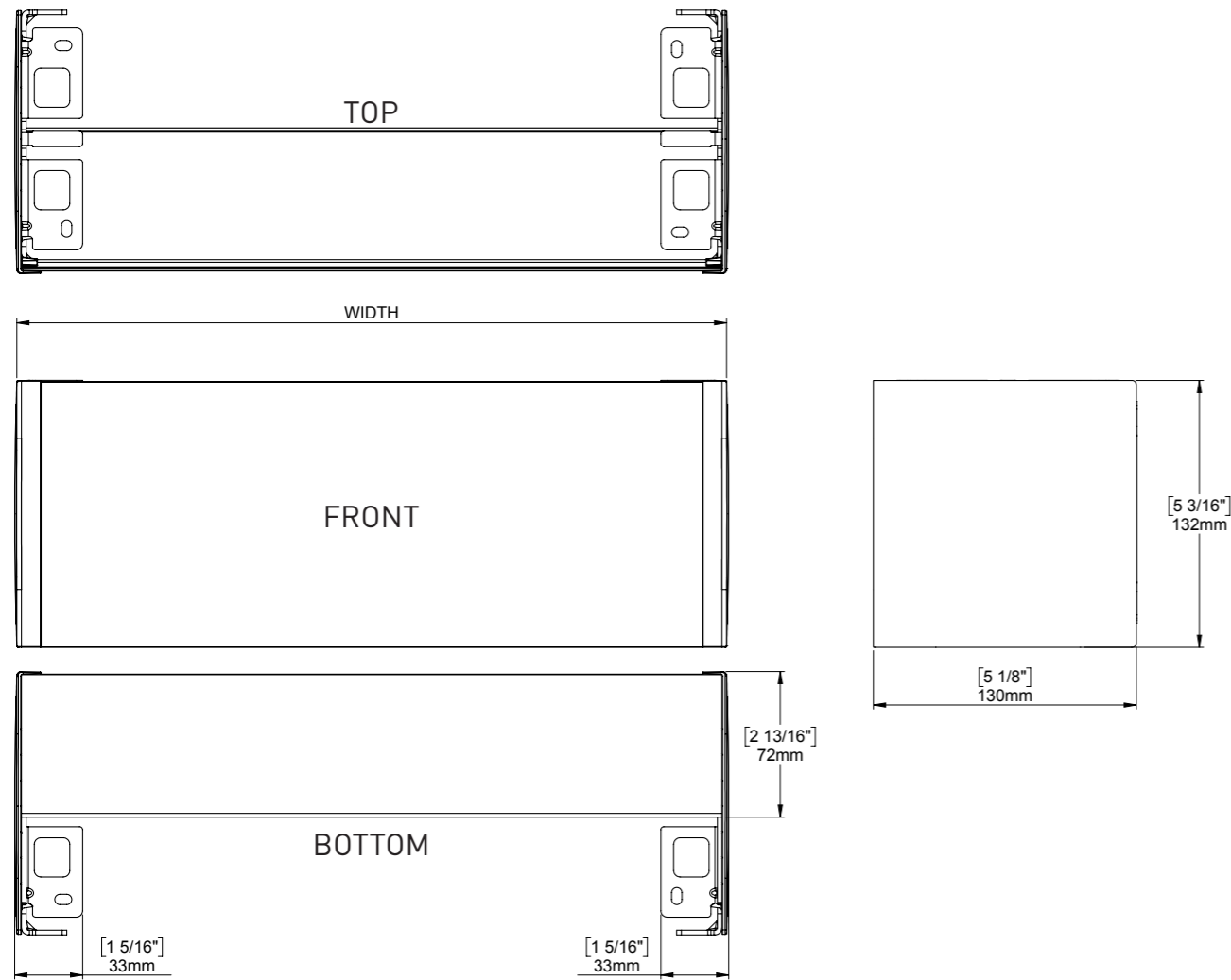
SOMFY SINGLE SHADE



SYSTEM INDEX:

- | | |
|--|-----------------------------------|
| 1. 5" Fascia Panel | 6. Fascia Motor Side Insert |
| 2. 5" Fascia Base Bracket | 7. SOMFY Motor |
| 3. 5" Fascia Bracket Cover | 8. SOMFY Crown & Drive Kit |
| 4. Fascia R-Series Single & Motor Idler Insert | 9. Motor Shade Idler Silent Pin |
| 5. Silent Pin Idler Yoke | 10. Silnent Pin Crown & Drive Set |

ARCHITECTURAL VIEWS

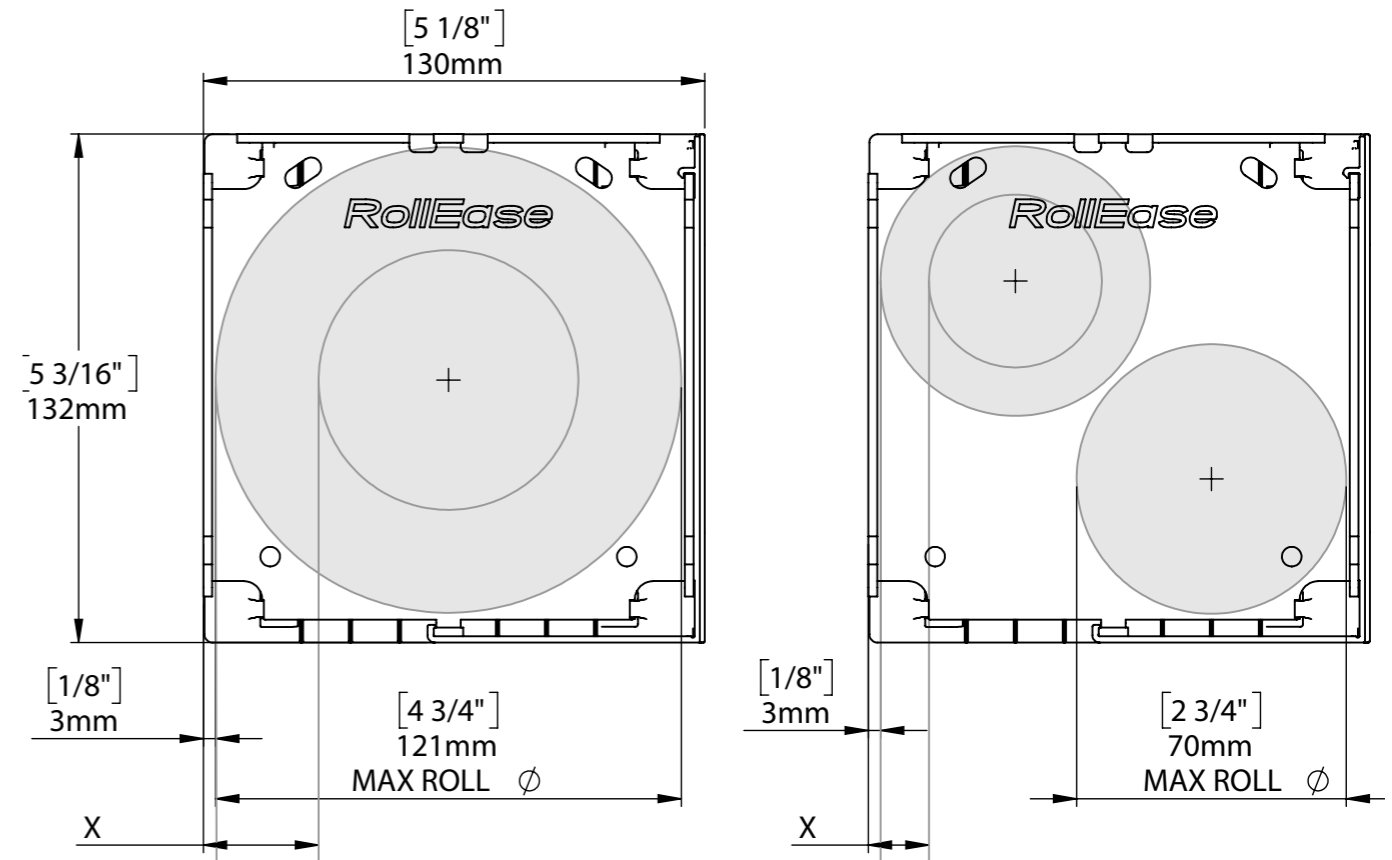


COLOR OPTIONS



MAXIMUM ROLL DIAMETERS

5" FASCIA BRACKETS



Installation Type	Tube	Max Fabric Distance from back of bracket [X]
Single	1-1/2"	44mm [1-3/4"]
	2"	38mm [1-1/2"]
	2-1/2"	32mm [1-1/4"]
	3-1/4"	22mm [7/8"]
Dual	1-1/2"	19mm [3/4"]
	1-1/8"	24mm [15/16"]
	1-1/4"	22mm [7/8"]
	2"	13mm [1/2"]

TUBE DEDUCTIONS

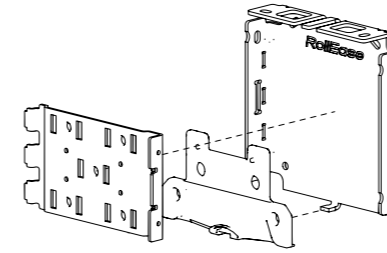
System	Tube	Control	Insert Plates	Pin End	Adapter(s)	Tube Deduction		Light Gap with-out Bracket Covers*	
						With Bracket Covers	Without Bracket Covers	Control Side	Pin End Side
SINGLE	1-1/2"	SL-20	RE0020202	SLPEV53xx	-	1.61" [41mm]	1.33" [34mm]	0.75" [19mm]	0.59" [15mm]
	2"	SL-20	RE0020202	SLPEHD53xx	RA2xx	1.65" [42mm]	1.36" [35mm]	0.75" [19mm]	0.63" [16mm]
	1-1/2"	SL-30	RE0020202	SLPEV53xx	-	1.69" [43mm]	1.41" [36mm]	0.79" [20mm]	0.59" [15mm]
	2"	SL-30	RE0020202	SLPEHD53xx	RA2xx	1.69" [43mm]	1.41" [36mm]	0.75" [19mm]	0.63" [16mm]
	2-1/2"	SL-30	RE0020202	SLPEHD53xx	RA25	1.77" [45mm]	1.47" [38mm]	0.83" [21mm]	0.67" [17mm]
	1-1/2"	G-200	RE0020202	SLPEHD53xx	-	1.77" [45mm]	1.47" [38mm]	0.87" [22mm]	0.63" [16mm]
	2"	G-200	RE0020202	SLPEHD53xx	RA2xx				
	1-1/2"	G-400	RE0020202	SLPEHD53xx	-	1.69" [43mm]	1.41" [36mm]	0.79" [20mm]	0.63" [16mm]
	2"	G-400	RE0020202	SLPEHD53xx	RA2xx				
	2-1/2"	G-400	RE0020202	SLPEHD53xx	RA25	1.77" [45mm]	1.47" [38mm]	0.83" [21mm]	0.67" [17mm]
3-1/4"	G-400	RE0020202	SLPEHD53xx	RA25					
DUAL	1-1/8"	SL-15	RE0020202	SLPEV01xx	-				
	1-1/4"	SL-15	RE0020202	SLPEV03xx	SLA03xx	1.55" [39mm]	1.26" [32mm]	0.71" [18mm]	0.63" [16mm]
	1-1/2"	SL-15	RE0020202	SLPEV53xx	SLA53xx				
	1-1/2"	SL-20	RE0020202	SLPEV53xx	-	1.61" [41mm]	1.33" [34mm]	0.75" [19mm]	0.63" [16mm]
	1-1/2"	G-200	RE0020202	SLPEHD53xx	-	1.77" [45mm]	1.47" [38mm]	0.87" [22mm]	0.63" [16mm]
	2"	G-200	RE0020202	SLPEHD53xx	RA2xx				
SINGLE & DUAL	1-1/2"	25mm Motor	RE0020202	SLPEHD53xx	-	1.81" [46mm]	1.53" [39mm]	0.91" [23mm]	0.63" [16mm]
	1-1/2"	28mm Motor	RE0020202	SLPEHD53xx	-	1.77" [45mm]	1.47" [38mm]	0.87" [22mm]	0.63" [16mm]
	2"	28mm Motor	RE0020202	SLPEHD53xx	RA2xx	1.77" [45mm]	1.47" [38mm]	0.87" [22mm]	0.63" [16mm]
	2"	35mm Motor	RE0020202	SLPEHD53xx	RA2xx	1.77" [45mm]	1.47" [38mm]	0.87" [22mm]	0.63" [16mm]
SINGLE ONLY	2-1/2"	45mm Motor	RE0022702 + (MSIDL)	MSPE5BK	RTA6U50BK	2.48" [63mm]	2.20" [56mm]	0.91" [23mm]	1.30" [33mm]
	3-1/4"	45mm Motor		MSPE5BK	RTA7U50				

*NOTE: FOR LIGHT GAP **WITHOUT** BRACKET COVERS, ADD 0.13" [4mm] TO EACH SIDE LISTED ABOVE

5" FASCIA - SKYLINE CLUTCH | SINGLE

Pin End Assembly

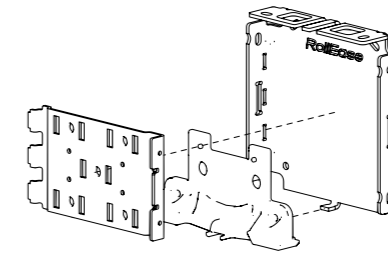
NOTE: Once the Insert Plate is assembled with the bracket, it cannot be released.



OPTIONAL:
Use a Mallet to snap the Skyline Insert Plate to the bracket

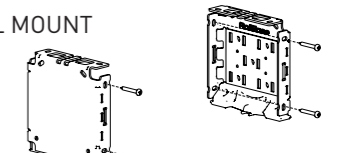
Control End Assembly

NOTE: Once the Insert Plate is assembled with the bracket, it cannot be released.

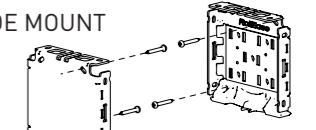


OPTIONAL:
Use a Mallet to snap the Skyline Insert Plate to the bracket

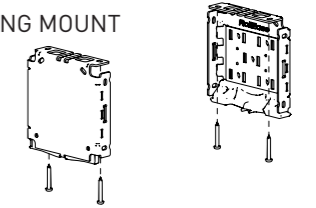
WALL MOUNT



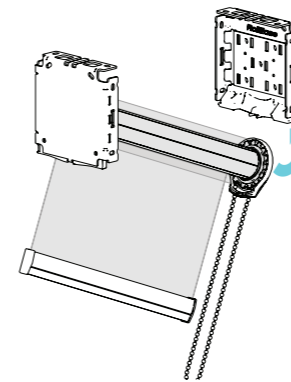
INSIDE MOUNT



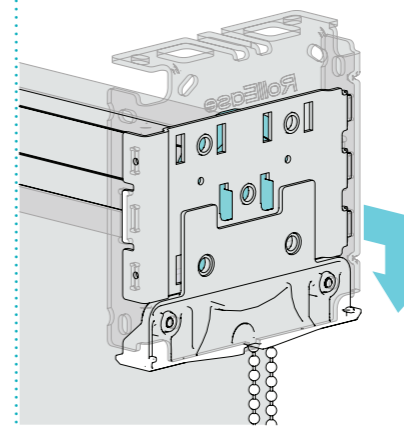
CEILING MOUNT



Attach Roller Assembly Pin first

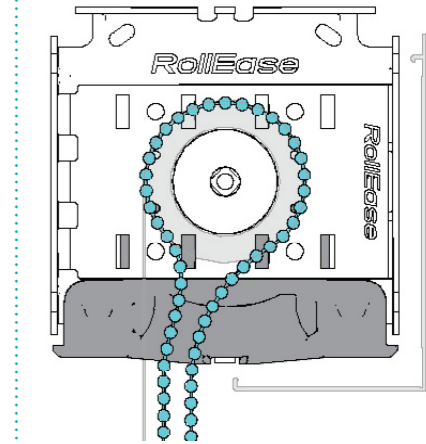


Attach Skyline Clutch to Insert Plate



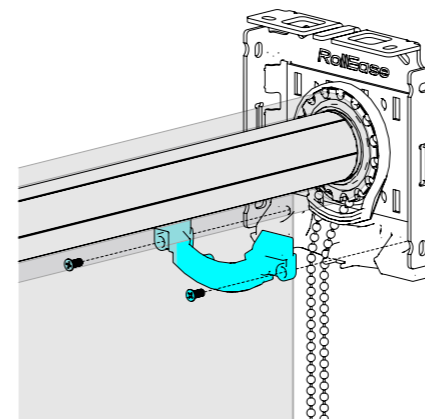
Push hooks through the Insert Plate and pull down

Align Chain with Chain Guide

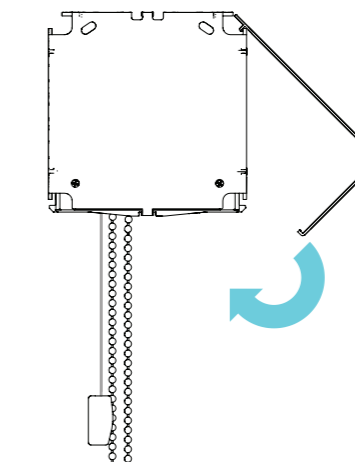


Ensure Fascia can still be attached

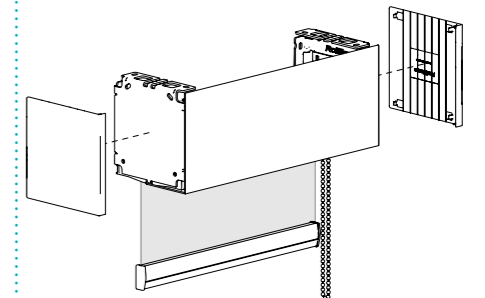
Attach Chain Cover (Not required for SL30 & G400)



Attach Fascia Panel



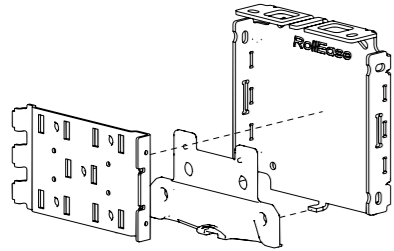
Attach Bracket Covers



5" FASCIA - SKYLINE CLUTCH | DUAL

Pin End Assembly

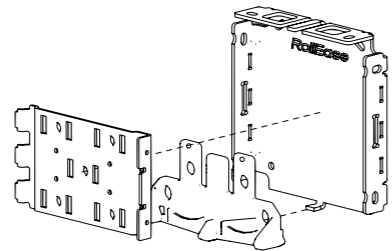
NOTE: Once the Insert Plate is assembled with the bracket, it cannot be released.



OPTIONAL:
Use a Mallet to snap the Skyline Insert Plate to the bracket

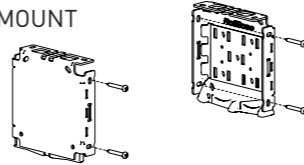
Control End Assembly

NOTE: Once the Insert Plate is assembled with the bracket, it cannot be released.

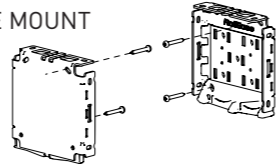


OPTIONAL:
Use a Mallet to snap the Skyline Insert Plate to the bracket

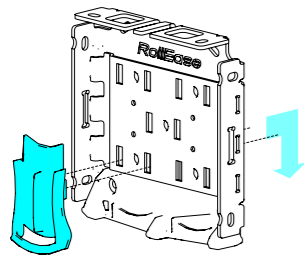
WALL MOUNT



INSIDE MOUNT

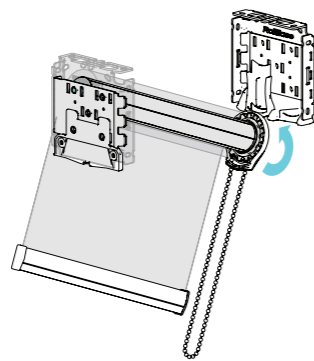


Attach Chain Diverter to bracket Assembly



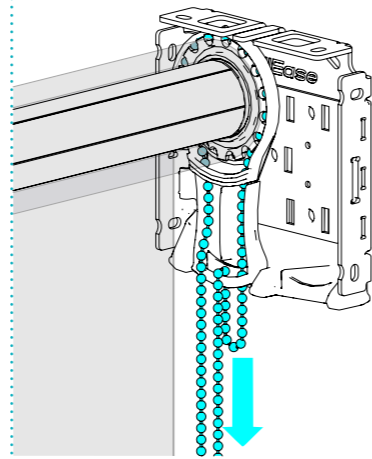
Push hooks through the bracket and pull down

Attach Top Roller Assembly Pin first

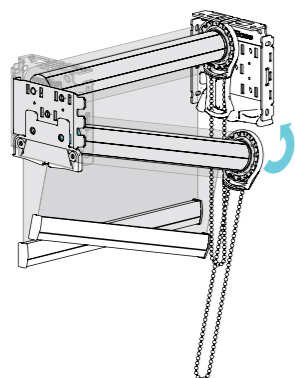


Push hooks through the bracket and pull down

Pull Chain through Chain Diverter

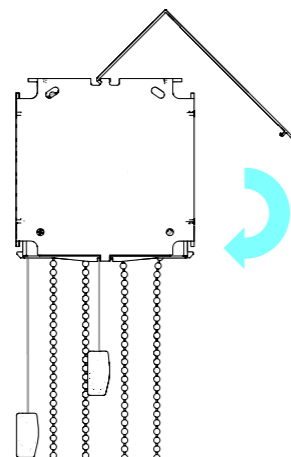


Attach Bottom Roller Assembly Pin first

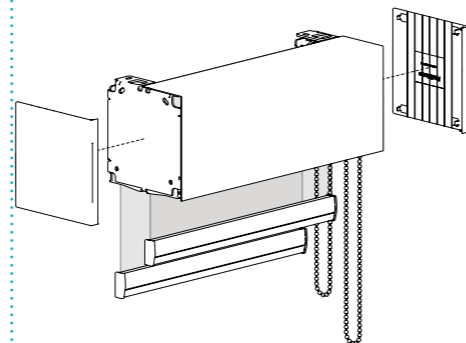


Push hooks through the bracket and pull down

Attach Fascia Panels



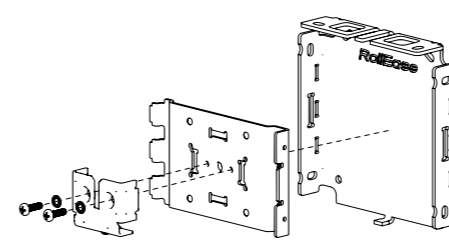
Attach Bracket Covers



5" FASCIA - AUTOMATE MOTOR | SINGLE

Pin End Assembly

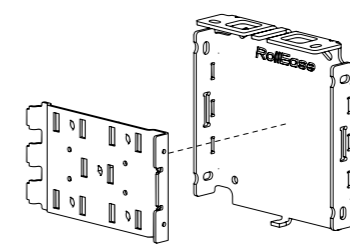
NOTE: Once the Insert Plate is assembled with the bracket, it cannot be released.



OPTIONAL:
Use a Mallet to snap the Skyline Insert Plate to the bracket

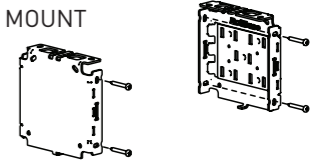
Control End Assembly

NOTE: Once the Insert Plate is assembled with the bracket, it cannot be released.

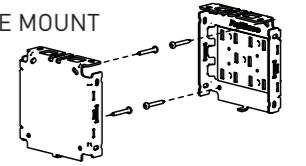


OPTIONAL:
Use a Mallet to snap the Skyline Insert Plate to the bracket

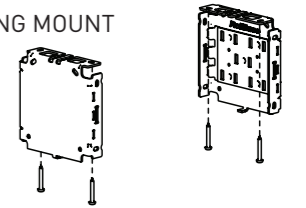
WALL MOUNT



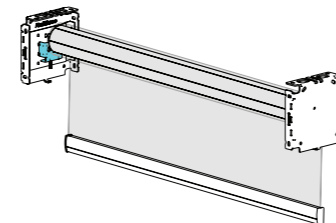
INSIDE MOUNT



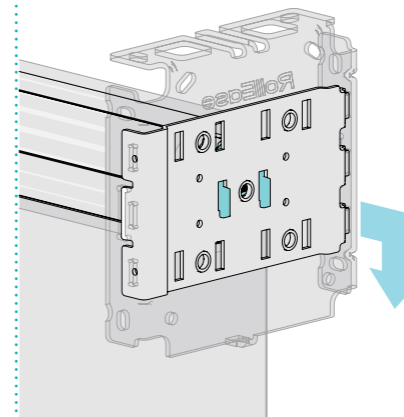
CEILING MOUNT



Attach Roller Assembly Pin First

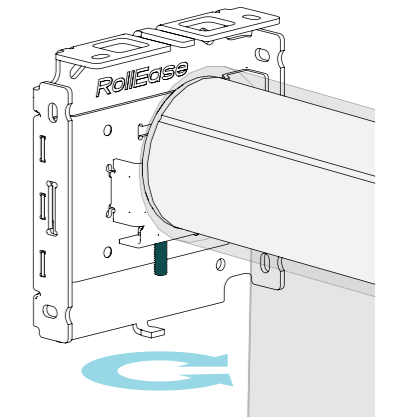


Attach Skyline Control to Bracket

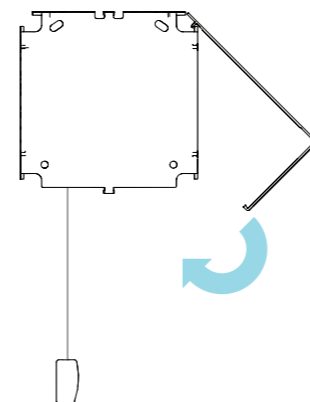


Push hooks through the bracket and pull down

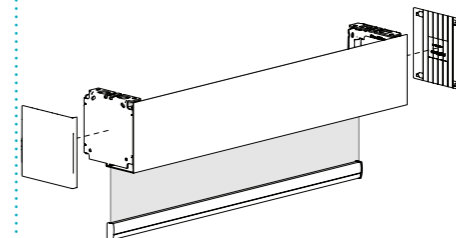
Adjust Yoke screw until Shade is level



Attach Fascia Panels



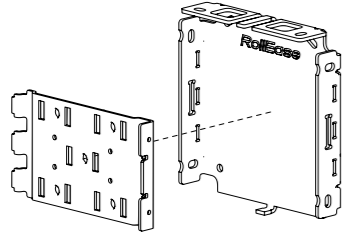
Attach Bracket Covers



5" FASCIA - AUTOMATE MOTOR | DUAL

Pin End Assembly

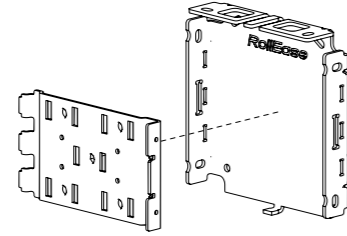
NOTE: Once the Insert Plate is assembled with the bracket, it cannot be released.



OPTIONAL:
Use a Mallet to snap the Skyline Insert Plate to the bracket

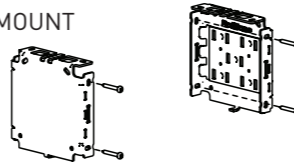
Control End Assembly

NOTE: Once the Insert Plate is assembled with the bracket, it cannot be released.

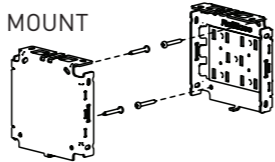


OPTIONAL:
Use a Mallet to snap the Skyline Insert Plate to the bracket

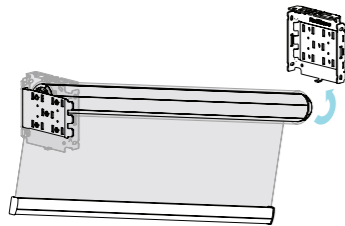
WALL MOUNT



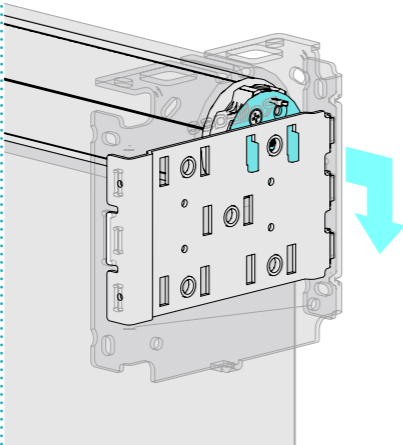
INSIDE MOUNT



Attach Top Roller Assembly Pin first

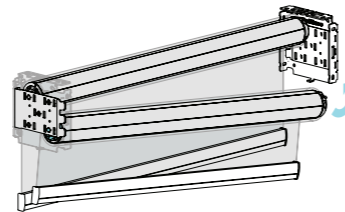


Attach Skyline Hooks in place

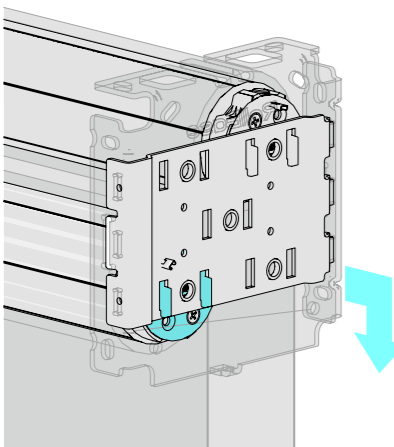


Push hooks through the bracket and pull down

Attach Bottom Roller Assembly Pin first

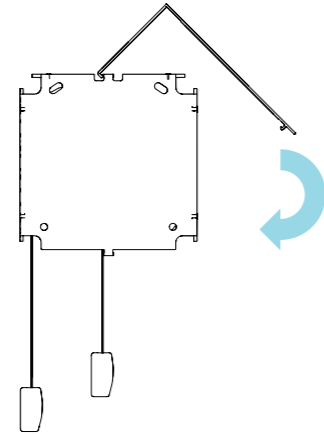


Attach Skyline Hooks in place

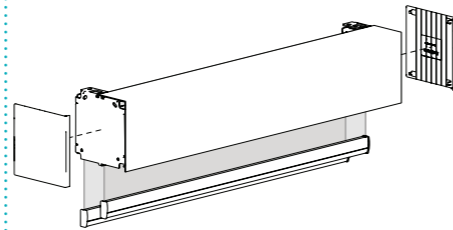


Push hooks through the bracket and pull down

Attach Fascia Panels



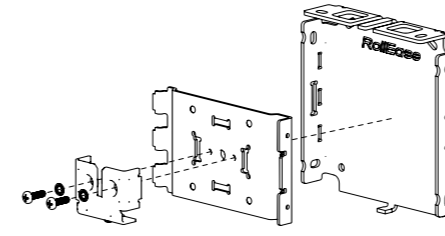
Attach Bracket Covers



5" FASCIA - 3RD PARTY MOTORS | SINGLE

Pin End Assembly

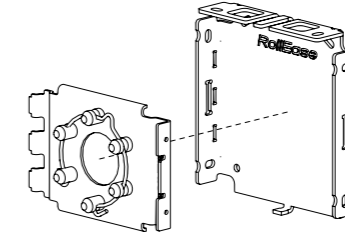
NOTE: Once the Insert Plate is assembled with the bracket, it cannot be released.



OPTIONAL:
Use a Mallet to snap the Skyline Insert Plate to the bracket

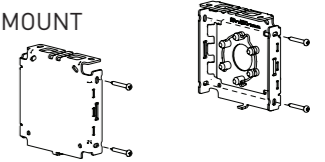
Control End Assembly

NOTE: Once the Insert Plate is assembled with the bracket, it cannot be released.

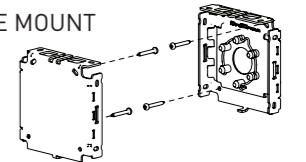


OPTIONAL:
Use a Mallet to snap the Skyline Insert Plate to the bracket

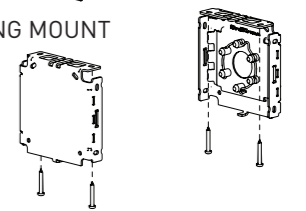
WALL MOUNT



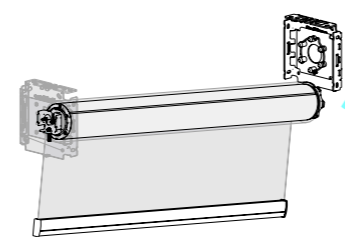
INSIDE MOUNT



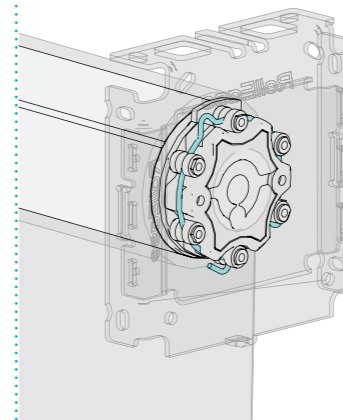
CEILING MOUNT



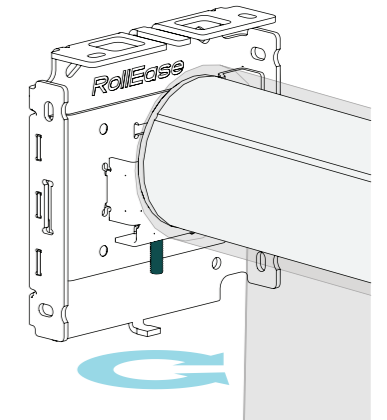
Attach Roller Assembly Pin First



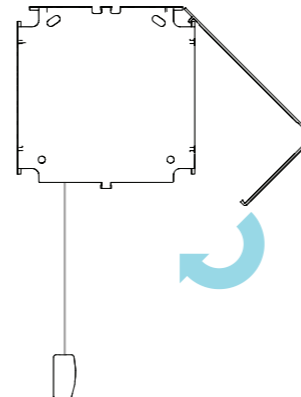
Attach Motor Control to Bracket



Adjust Yoke screw until Shade is level



Attach Fascia Panels



Attach Bracket Covers

