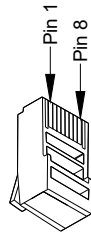
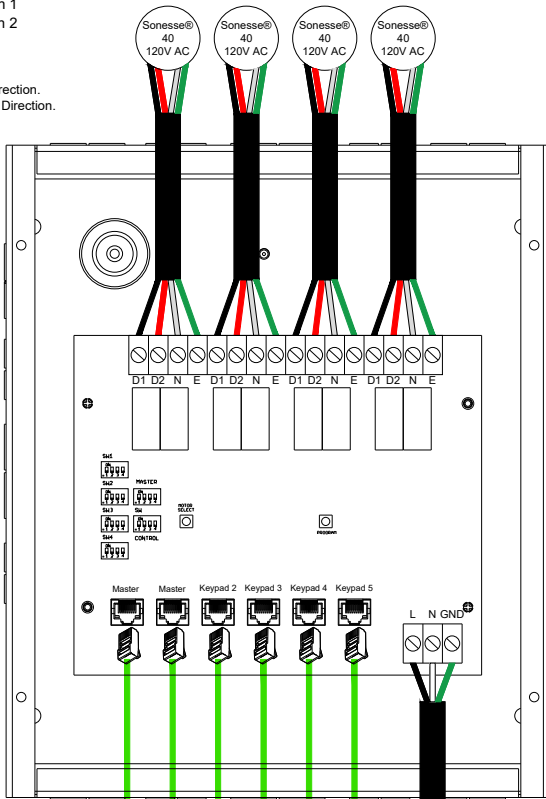


█ Direction 1  
█ Direction 2  
█ Neutral  
█ Ground

Note: D1 is Up Direction.  
D2 is Down Direction.

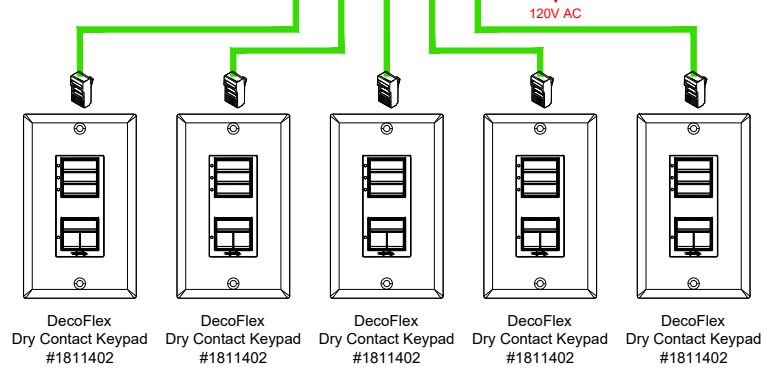
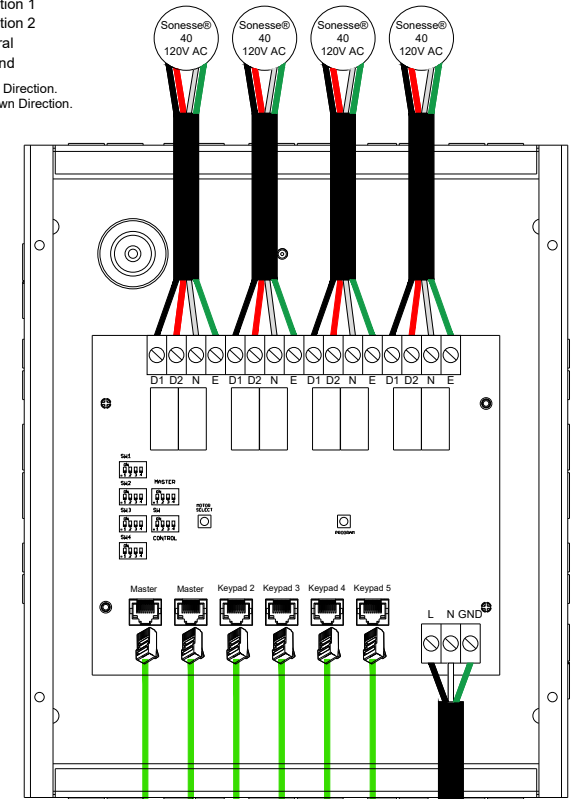


IGC4n1		
Utilizing RJ-45 TIA-568B termination standard		
Pin #	Color	Function
1	Orange White	IP 1
2	Orange	IP 2
3	Green White	IP 3
4	Blue	12V+
5	Blue White	N/A
6	Green	Down
7	Brown White	Up
8	Brown	Ground

- Note:
- Integration is via DCT controls by connecting corresponding wires above from the desired control port to a third party controlled relay.
  - STOP command is triggered by activating the UP and DOWN simultaneously.
  - Both IGC4n1 and ICG4n1 Shutter Mode are compatible with IGC4n1 RTS Receiver.
  - IGC4n1 is compatible with DecoFlex Dry Contact Keypad.
  - IGC4n1 Shutter Mode is compatible with animeo Decora Switch or Smoove Origin IB Control, using functions UP, DOWN & STOP only.
  - Max distance for dry contact connectivity using CAT-5e is 300'.

█ Direction 1  
█ Direction 2  
█ Neutral  
█ Ground

Note: D1 is Up Direction.  
D2 is Down Direction.



Note: The Master port should be used to connect to additional IGC4N1.