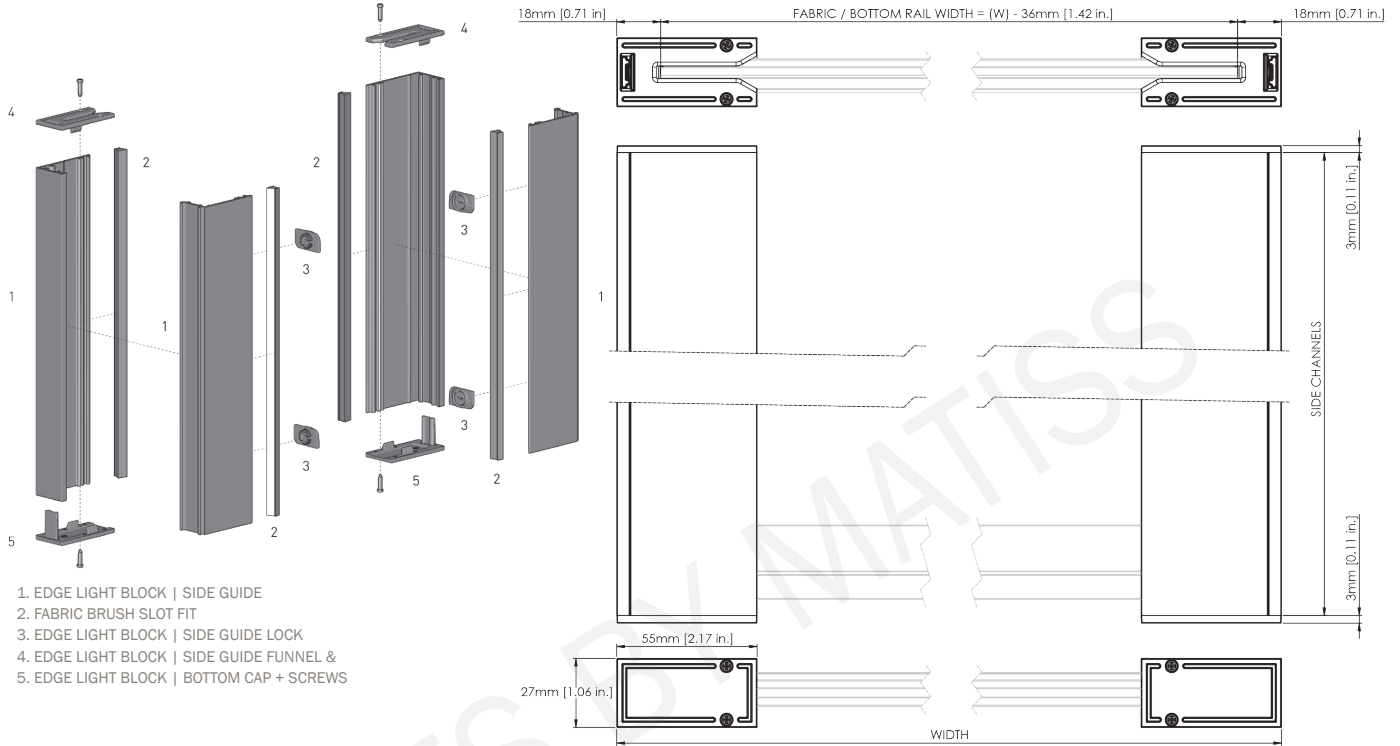


Edge Channels/Guide Wire

Rollease Acmeda's EDGE SIDE CHANNELS compliment a range of cassette and fascia styles and control options with improved performance functionality and aesthetics. Designed to suit fully enclosed or partial fascia, it is compatible with the most commonly used medium roller systems. Using the EDGE SIDE CHANNELS improves the energy efficiency of any compatible system.



1. EDGE LIGHT BLOCK | SIDE GUIDE
2. FABRIC BRUSH SLOT FIT
3. EDGE LIGHT BLOCK | SIDE GUIDE LOCK
4. EDGE LIGHT BLOCK | SIDE GUIDE FUNNEL & BOTTOM CAP + SCREWS
5. EDGE LIGHT BLOCK | BOTTOM CAP + SCREWS

AESTHETICAL FEATURES

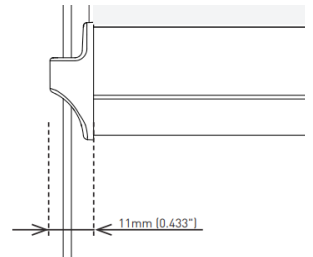
- Minimized light gap and shadow
- No visible screws

PRODUCTION & ASSEMBLY FEATURES

- 2 piece EDGE side guides improve face and recess installations
- Easy and effortless locking mechanism for the cover

FUNCTIONAL BENEFITS

- Concealed fabric brushes offer smooth quiet operation
- Improved energy efficiency of systems
- Plastic top protection to protect fabric

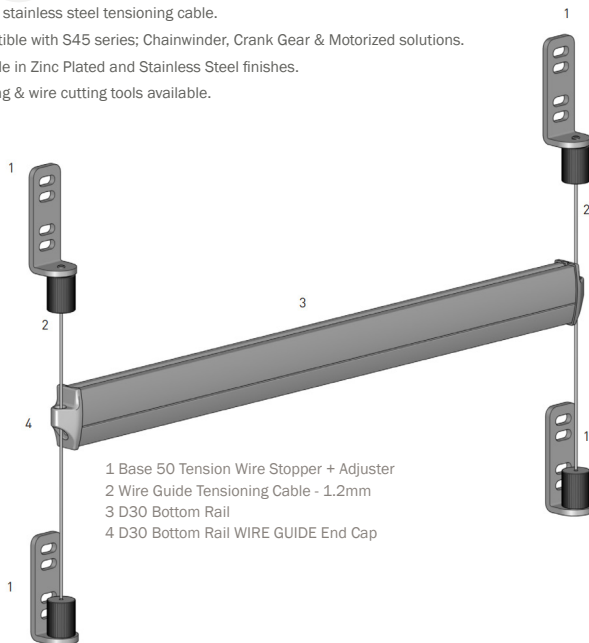


WIRE GUIDE SYSTEM (Optional)

Rollease Acmeda's Internal Wire Guide System provides a functional, secure guide for the S45 Roller Shade series, aiding and controlling a shade from unwanted movement.

FEATURES/BENEFITS

- Tensioners available to suit Ceiling or Wall mount applications.
- Adjustable wire barrel attachment.
- Wire guide end caps compatible with D30 Silent Bottom Rail.
- 1.2mm stainless steel tensioning cable.
- Compatible with S45 series; Chainwinder, Crank Gear & Motorized solutions.
- Available in Zinc Plated and Stainless Steel finishes.
- Crimping & wire cutting tools available.



- 1 Base 50 Tension Wire Stopper + Adjuster
- 2 Wire Guide Tensioning Cable - 1.2mm
- 3 D30 Bottom Rail
- 4 D30 Bottom Rail WIRE GUIDE End Cap

Hardware Colors

