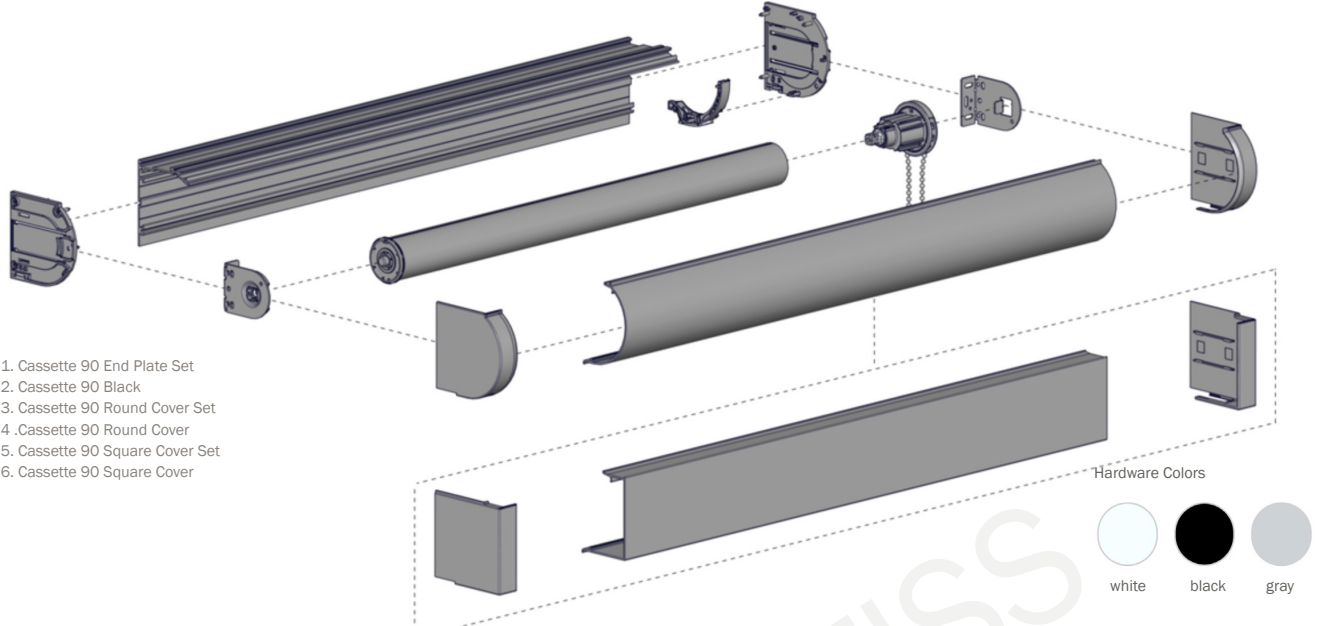
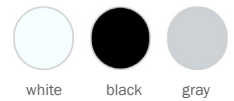


**CF90 FASCIA (Optional)**

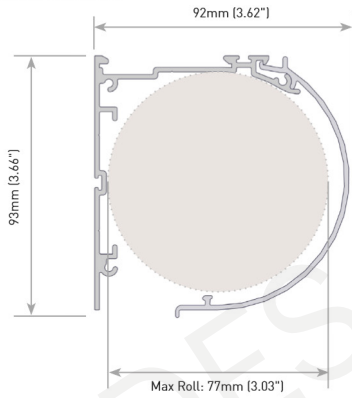


1. Cassette 90 End Plate Set
2. Cassette 90 Black
3. Cassette 90 Round Cover Set
4. Cassette 90 Round Cover
5. Cassette 90 Square Cover Set
6. Cassette 90 Square Cover

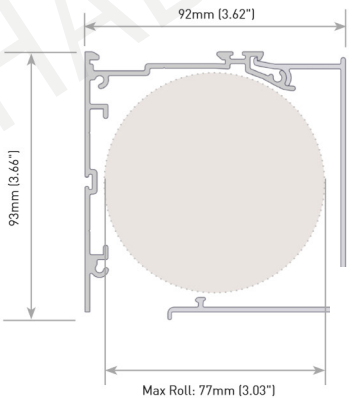
Hardware Colors



**MAX ROLL - ROUND CASSETTE**



**MAX ROLL - SQUARE CASSETTE**



CF 90 Cassette/Fascia suite for rollers offers a comprehensive range of head box styles, controls and side channel options with improved performance functionality and aesthetics. A contemporary round or square headbox; available in fully enclosed or partial fascia, CF90 is designed to house the most commonly used medium roller systems. Utilizing versatile hardware, the new cassette range can be matched with Edge side channels for improved energy efficiency.

**Aesthetical Features:**

- Clean lines and complimentary aesthetics for various applications in round or square finish
- Both styles available as a fascia or fully enclosed cassette
- Wall and Ceiling mounting clip options available for installations with minimized light gap
- End covers designed to overlap cassette front to conceal production blemishes
- Color matched plastic and covers

**Production & Assembly Features:**

- Suite utilizes versatile hardware for reduced inventory
- 2-piece CF90 Edge side channels for improved face/wall and recess/inside mount installation

**Functional Benefits:**

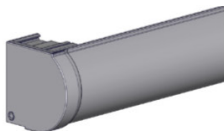
- Compatible with S45 Roller Shade chainwinder & motorized control solutions
- Co-molded chain guides for smooth and quiet operation
- CF90 Edge side channels for improved energy efficiency



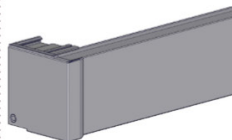
IDLER END	CONTROL END				
	SPRING	MOTORIZATION			CHAINWINDER
RB09	RB01	ALTUS/SONESSE	ROLLUP WIREFREE	SONESSE 30	RB09
18mm (0.709")	19mm (0.748")	22mm (0.866")	18mm (0.709")	20mm (0.787")	18mm (0.709")

**SYSTEM OPTIONS**

ROUND FASCIA



SQUARE FASCIA



TOP MOUNTING CLIP



FACE/WALL MOUNTING CLIP



**SYSTEM UPGRADES**

CF90 EDGE

