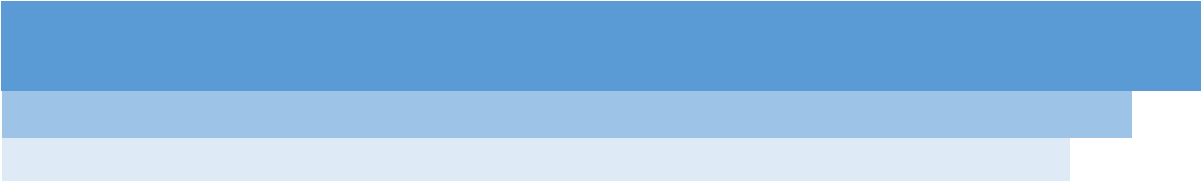


# CF CASSETTE FASCIA SUITE INSTALLATION MANUAL



October 2016



[www.shadesbymatiss.com](http://www.shadesbymatiss.com) | T. 800 493 2040 | email: [info@shadesbymatiss.com](mailto:info@shadesbymatiss.com)



**ROLLEASE  
ACMEDA**

# CONTENTS

October 2016

This manual is to be read in conjunction with the Product Specifications & Assembly manual

SECTION NO.	DESCRIPTION	PAGE NO.
<b>SECTION 1</b>	<b>– TOOLS &amp; ADDITIONAL ITEMS REQUIRED</b>	<b>1.1</b>
<b>SECTION 2</b>	<b>– INSTALLATION</b>	<b>2.4</b>
	PART A – PREPARING INSTALLATION SPACE	2.4
	PART B – CASSETTE INSTALLATION	2.6
	PART C – SHADE INSTALLATION	2.9
	PART D – INSTALLING CF90 EDGE SIDE GUIDES	2.18
	PART E – INSTALLING CHAIN TENSIONER (CHAIN OPERATED SHADES)	2.24
	PART F – INSTALLED SHADE	2.25

## DISCLAIMER

### INTRODUCTION

This Installation manual has been produced by Rollease Acmeda to supply the necessary information for safe and correct installation of this system.

### INSTALLERS RESPONSIBILITY

Before installing, please read & ensure you understand the safety information and installation instructions as defined in this installation manual.

- If you do not fully understand these instructions, contact Rollease Acmeda for clarification before installing.
- The Installer is responsible to ensure that all installation personnel have been adequately trained on the safe & correct installation and operation.
- The Installer is responsible to ensure that supporting structures are sound and can adequately support the load.
- The fasteners provided are intended for fixing to timber. The Installer is responsible for selecting fasteners that are suitable for other substrates

### SAFETY INFORMATION

- Ensure that electrical works are done only by a LICENSED ELECTRICIAN.
- DO NOT modify any of the components of this system.

### PERSONNEL REQUIREMENTS

Only suitably trained/qualified personnel should undertake installation.

### DISCLAIMER

Rollease Acmeda has used reasonable care in preparing the information included in this document, but makes no representations or warranties as to the completeness or accuracy of the information. Information is supplied upon the condition that the persons receiving the information will make their own determination as to its suitability for their purposes prior to use. Rollease Acmeda assumes no liability whatsoever for any damages incurred by you resulting from errors in or omissions from the information included herein. Rollease Acmeda reserves the right to make changes without further notice to any products to improve reliability, function or design.

### COPYRIGHT

COPYRIGHT © ROLLEASE ACMEDA 2016

All rights reserved. No part of this document may be reproduced or utilized in any means, by any means, electronic or mechanical including photocopying, recordings, or by any information storage or retrieval system, without the express permission from Rollease Acmeda.



## SECTION 1 – TOOLS & ADDITIONAL ITEMS REQUIRED

### TOOLS REQUIRED

- Drill
- Drill Bits
- Screw Driver – Philips Head
- Measuring Tape
- Pencil

NOTE: Tools for both metric and imperial systems may be required

### ADDITIONAL ITEMS REQUIRED (NOT SUPPLIED)

To install a CF CASSETTE FASCIA SUITE, the following non-stocked items are required:

- Fixing Screws – Installer to use appropriate fasteners/fixings to suit application

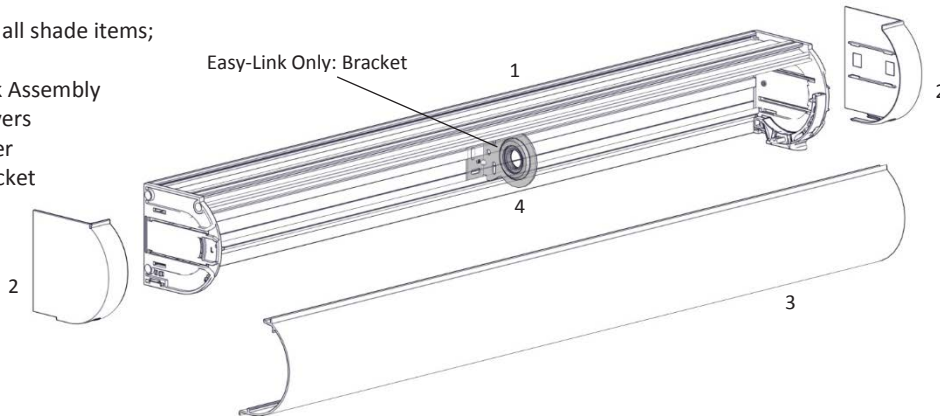


## SHADE ITEMS REQUIRED

### BOX

Check you have all shade items;

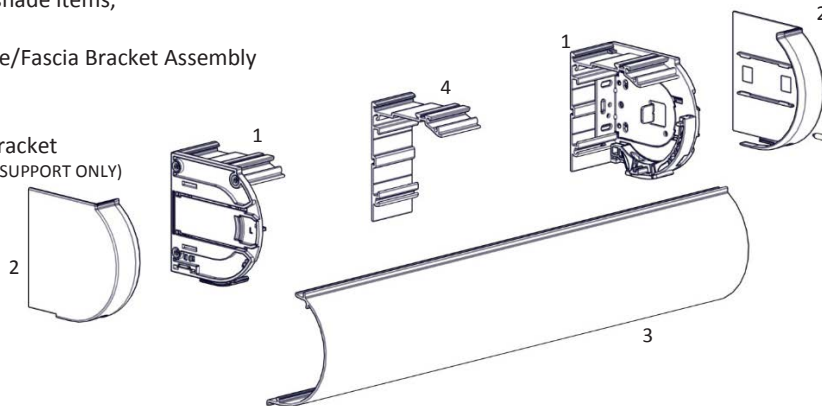
1. Cassette Back Assembly
2. End Plate Covers
3. Cassette Cover
4. Easy Link Bracket  
(EASY-LINK ONLY)



### FASCIA

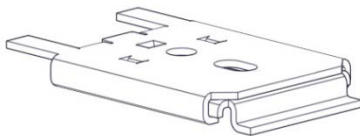
Check you have all shade items;

1. Cassette End Plate/Fascia Bracket Assembly
2. End Plate Covers
3. Cassette Cover
4. Cassette Fascia Bracket  
(OPTIONAL: FOR CENTER SUPPORT ONLY)

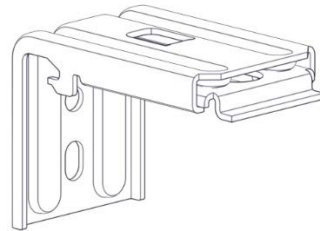


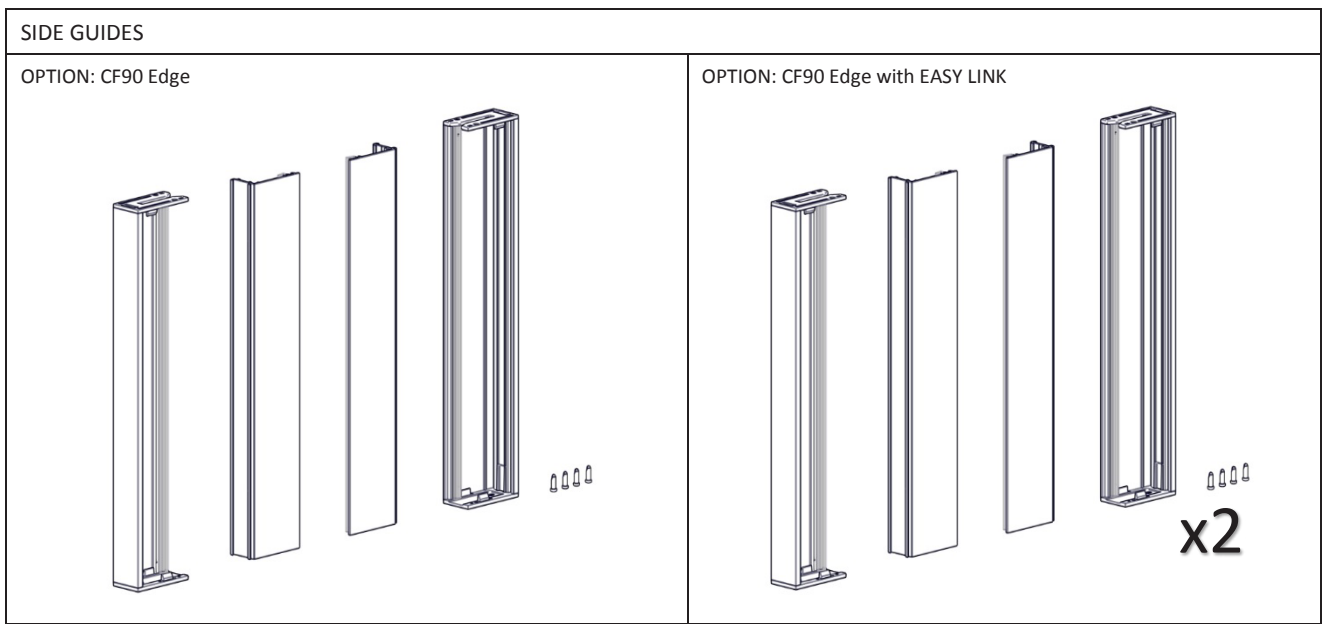
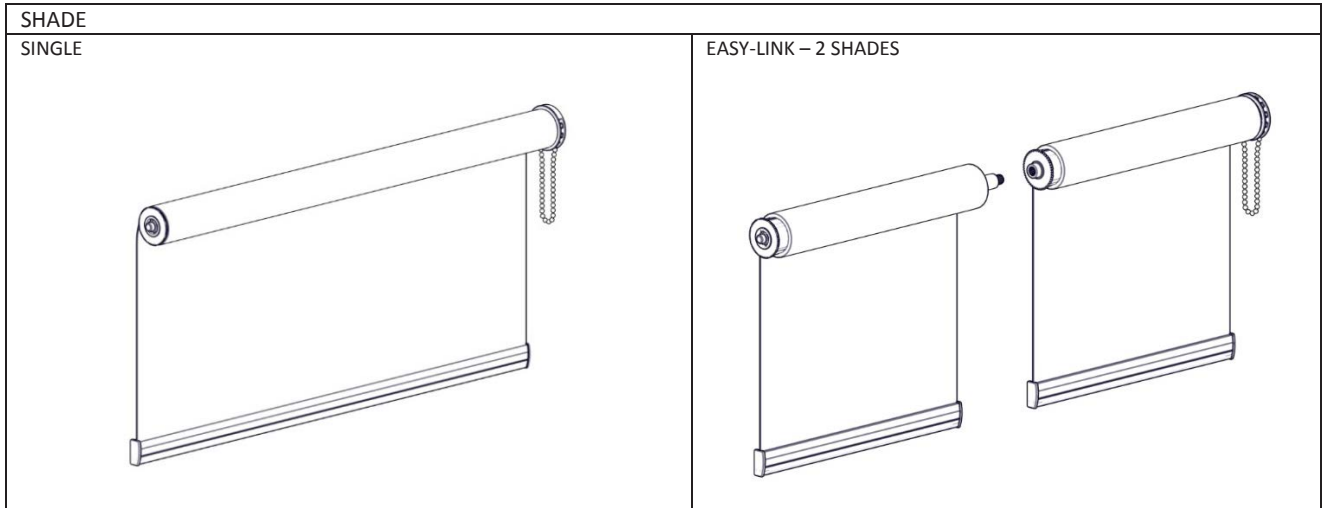
### MOUNTING BRACKETS (Optional)

CASSETTE 90 – TOP FIX/CEILING MOUNT



CASSETTE 90 – FACE FIX/WALL MOUNT





## SECTION 2 – INSTALLATION

### PART A – PREPARING INSTALLATION SPACE

#### MEASURE & SPECIFY GUIDELINES

In order to assist with providing seamless communication between the Specifier, Assembler and Installer Rollease Acmeda provides some guidelines to assist with measuring and specifying the Cassette Roller System in order to:

- Identify key information for Assembler and Installer
- Improve efficiency
- Limit the number of re-calls / adjustment required onsite after installation

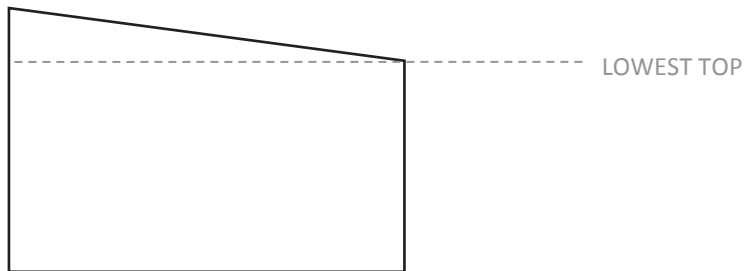
The suggested 'Actual Shade Sizes' are based on:

- Minimum clearances to assist installers  
(some installers may request greater clearances for some application, e.g. installing onto brick)

#### MEASURING TIPS

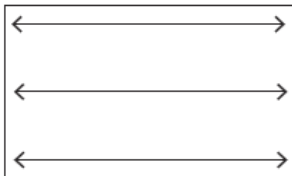
##### TIP 1: CHECK TOP OF INSTALLATION SPACE IS LEVEL

If Top of Installation Space is uneven, ensure 'Top Width' measurement and all 'Drop' measurements are taken from 'Lowest Top Point' (dotted line indicated below)



##### TIP 2: FOR SHADE INSTALLATIONS, TAKE NOTE OF MEASUREMENTS BELOW -

Installation Width at Top, Bottom (and Center for CF90 Edge installations only)







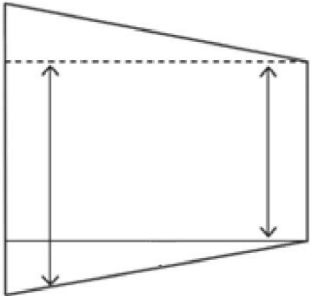
Installation drop at Left and Right.

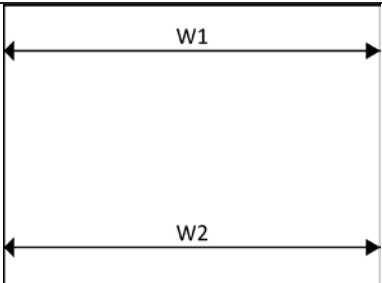


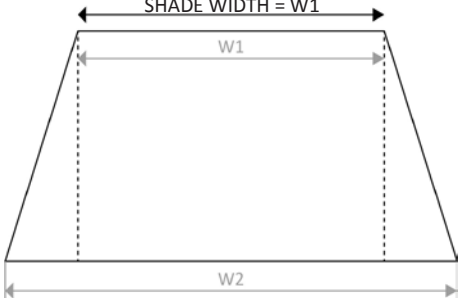
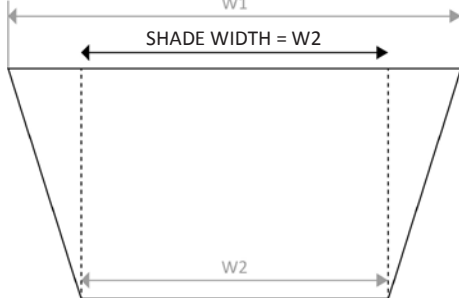
For best installation and operation results, it is favorable for the measurements to be within:

- 5mm of each other for CF90 Edge Installations.
- 15mm of each other for plain cassette/fascia installations.



SHADE DROP	EXAMPLE
<p>For all scenarios</p> <p>Top &amp; Bottom level</p>  <p>Top uneven &amp; Bottom level</p>  <p>Top level &amp; Bottom uneven^</p>  <p>Top &amp; Bottom uneven^</p>  <p>Shade Drop = Smallest Drop Size</p>	<p>Top &amp; Bottom uneven</p>  <p>LEFT 2040mm (80.315")</p> <p>RIGHT 2000mm (78.740")</p> <p>Shade Drop = Smallest Drop Size = Right Hand Drop Size 2000mm (78.740")</p>

For CF90 Edge Shade installations	
SHADE WIDTH	
	<p>W = Width of Shade</p> <p>If W1 &amp; W2 are equal or within <b>5mm (0.197")</b> of each other, proceed to Part B.</p> <p>If W1 &amp; W2 are not equal or within <b>5mm (0.197")</b> of each other, packing may be required to ensure Channel Guides are level.</p>

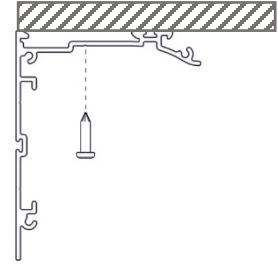
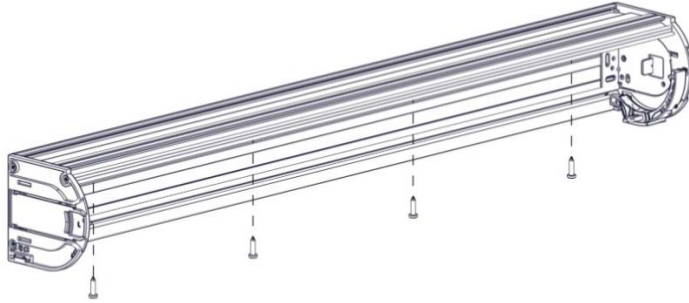
MEASURING TIPS	
	



## PART B – CASSETTE INSTALLATION

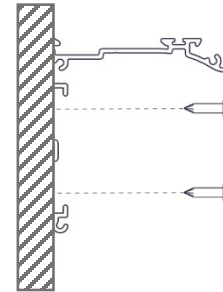
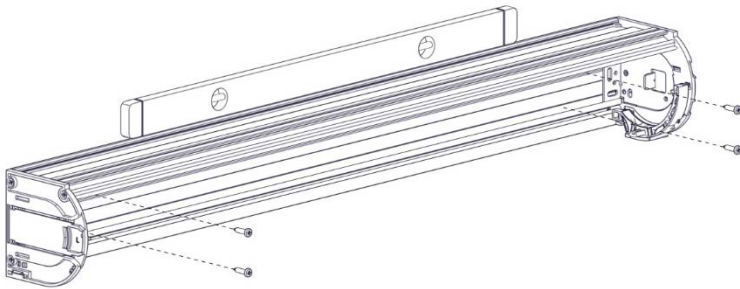
### STEP 1 – INSTALL CASSETTE TO WALL/CEILING USING APPROPRIATE FIXINGS TO SUIT APPLICATION

#### CASSETTE – Top Fix/Ceiling Mount



NOTE: Use grooves in aluminum to assist with positioning of anchors during installation

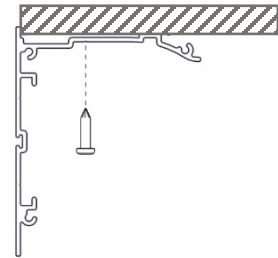
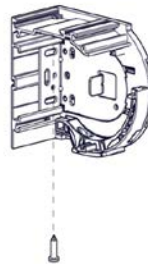
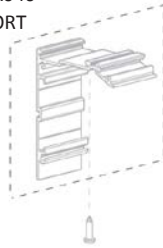
#### CASSETTE – Face Fix/Wall Mount



NOTE: Use grooves in aluminum to assist with positioning of anchors during installation

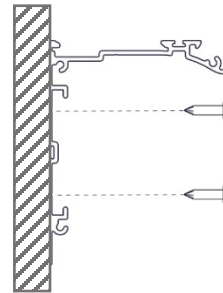
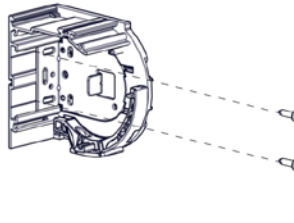
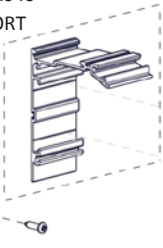
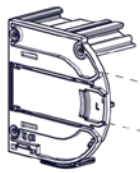
#### FASCIA – Top Fix/Ceiling Mount

USE RC03-0101-xxx040  
AS CENTER SUPPORT  
IF REQUIRED



#### FASCIA – Face Fix/Wall Mount

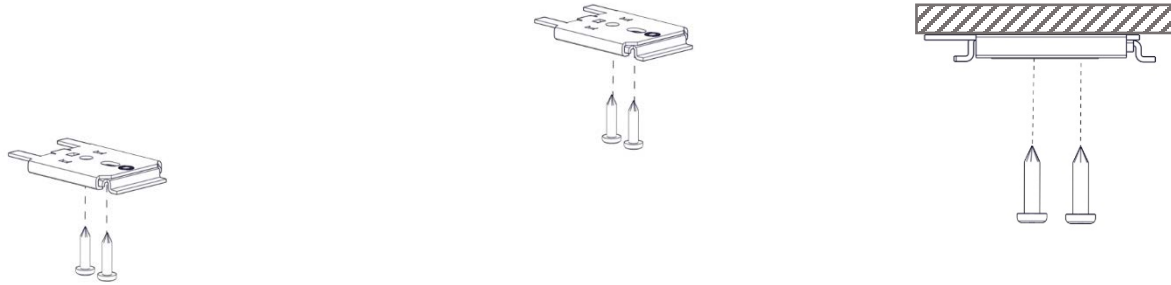
USE RC03-0101-xxx040  
AS CENTER SUPPORT  
IF REQUIRED





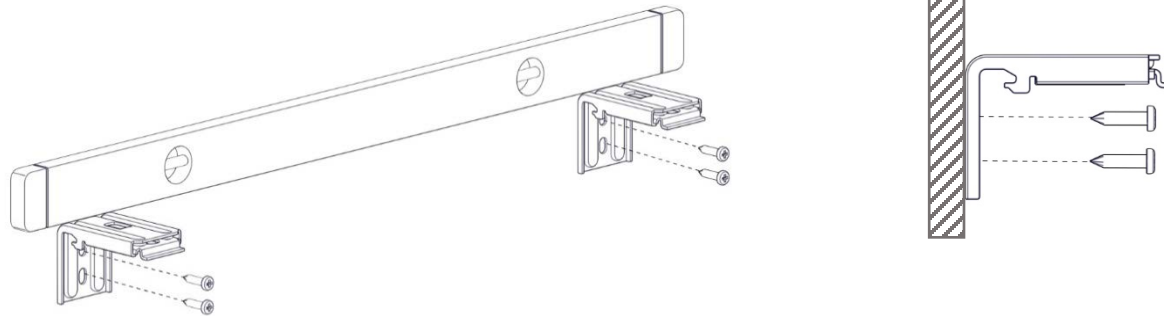
**TOP FIX/CEILING MOUNT – CASSETTE 90 MOUNTING BRACKET**

Ensure installation space (top) has been prepared for level bracket installation



NOTE: Refer to BOM & Cutting List for number of mounting brackets required

**FACE FIX/WALL MOUNT – CASSETTE 90 MOUNTING BRACKET**

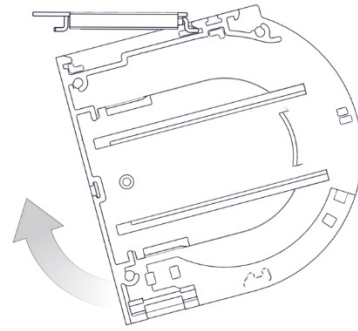
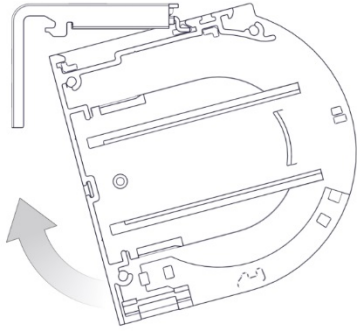


NOTE: Refer to BOM & Cutting List for number of mounting brackets required



**STEP 2 – ATTACH CASSETTE ONTO MOUNTING BRACKETS (BRACKET INSTALLATION ONLY)**

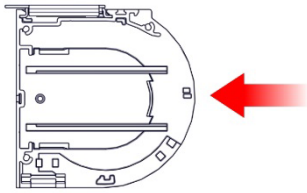
**CASSETTE 90 MOUNTING CLIP**



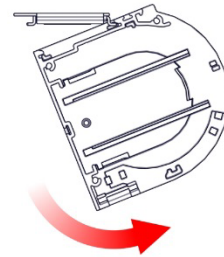
NOTE: Ensure Shade is installed securely in brackets (bracket installation only)

**Cassette Removal (if required)**

**Cassette 90  
(both Face & Top Fix Mounting Clips)**



Push Cassette forward



Rotate Cassette out








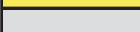
**PART C – SHADE INSTALLATION**

**FOR SPRING BOOSTER ONLY**

**STEP 1 – ADD REQUIRED PRE-TURNS**

**SPRING PRE-TURNS + CAPACITY | S45 LT TUBE**







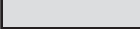
Drop (ft)	Width (ft)																	
	2.0	2.6	3.3	3.9	4.6	5.2	5.9	6.6	7.2	7.9	8.5	9.2	9.8	10.5	11.2	11.8	12.5	13.1
1.6	11	11	14	15	16	17	10	11	11	12	12	13	13	8	8	8	9	9
2.0	11	11	15	15	17	17	10	11	11	12	12	13	13	8	8	8	9	9
2.3	11	11	15	16	17	18	10	11	11	12	13	13	14	8	8	9	9	9
2.6	11	11	15	16	17	18	10	11	12	12	13	13	8	8	8	9	9	9
3.0	11	11	15	16	17	18	10	11	12	12	13	13	8	8	8	9	9	10
3.3	11	12	15	16	17	18	10	11	12	13	13	14	8	8	8	9	9	10
3.6	11	12	15	16	17	18	11	12	12	13	13	14	8	8	8	9	10	10
3.9	11	12	15	16	18	19	11	12	12	13	14	14	8	8	9	9	10	10
4.3	11	12	16	17	18	19	11	12	12	13	14	14	8	8	9	10	10	10
4.6	11	12	16	17	18	10	11	12	13	13	14	15	8	8	9	10	10	11
4.9	11	12	16	17	18	10	12	12	13	13	14	15	8	8	10	10	10	11
5.3	11	12	16	17	18	10	12	12	13	14	14	15	8	8	10	10	11	11
5.6	11	12	16	17	19	10	12	13	13	14	15	8	8	10	10	10	11	11
5.9	11	12	16	18	19	10	12	13	13	14	15	8	8	10	10	11	11	11
6.2	11	12	17	18	19	12	12	13	14	14	15	8	8	10	10	11	11	12
6.6	11	12	17	18	19	12	12	13	14	15	15	8	10	10	11	11	11	12
6.9	11	12	17	18	20	12	13	13	14	15	16	8	10	10	11	11	12	12
7.2	11		17	18	20	12	13	14	14	15	16	8	10	10	11	11	12	12
7.5	11		17	19	20	12	13	14	15	15	16	8	10	11	11	12	12	13
7.9			17	19	20	12	13	14	15	16	17	10	10	11	11	12	12	13
8.2			18	19	21	13	13	14	15	16	17	10	11	11	12	12	13	13
8.5			18	19	21	13	14	14	15	16	17	10	11	11	12	12	13	13
8.9			18	20	21	13	14	15	16	17	17	10	11	12	12	13	13	14
9.2			18	20	22	13	14	15	16	17	18	11	11	12	12	13	13	14
9.5			19	20	22	13	14	15	16	17	10	11	11	12	13	13	14	14
9.8			19	20	13	14	14	15	16	17	11	11	12	12	13	13	14	14
10.2			19	21	13	14	15	16	17	18	11	11	12	12	13	14	14	15
10.5			19		13	14	15	16	17	18	11	11	12	13	13	14	14	15
10.8			19		13	14	15	16	17	18	11	12	12	13	14	14	15	15
11.2					13	15	15	16	18	19	11	12	13	13	14	14	15	16
11.5					13	15	16	17	18	19	11	12	13	13	14	15	15	16
11.8					14	15	16	17	18	19	12	12	13	13	14	15	16	16
12.1					14	15	16	17	18	11	12	13	13	13	15	15	16	
12.5					14	15	16	7	8	11	12	13	13	13	15			
12.8					14	16	17	7	11	12	12	13	14	13				
13.1					14	16	7	7	11	12	13	13	14					

LEGEND	DESCRIPTION
	S45 Universal Booster - Short
	S45 Universal Booster - Light
	S45 Universal Booster - Standard
	S45 Universal Booster - Standard with Easy Link
	S45 Universal Booster - Heavy Duty with Easy Link
	Cannot be achieved - outside product specifications



**SPRING PRE-TURNS + CAPACITY | S45 STD TUBE**






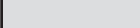
Drop (ft)	Width (ft)																	
	2.0	2.6	3.3	3.9	4.6	5.2	5.9	6.6	7.2	7.9	8.5	9.2	9.8	10.5	11.2	11.8	12.5	13.1
1.6	11	11	15	15	16	17	10	11	11	12	12	13	8	8	8	8	9	9
2.0	11	11	15	16	17	18	10	11	11	12	13	13	8	8	8	9	9	9
2.3	11	11	15	16	17	18	10	11	12	12	13	13	8	8	8	9	9	9
2.6	11	11	15	16	17	10	10	11	12	12	13	13	8	8	8	9	9	10
3.0	11	12	15	16	17	10	10	11	12	12	13	14	8	8	8	9	9	10
3.3	11	12	15	16	17	10	11	11	12	13	13	8	8	8	9	9	10	10
3.6	11	12	15	16	17	10	11	12	12	13	13	8	8	8	9	9	10	10
3.9	11	12	15	17	18	10	11	12	12	13	14	8	8	8	9	10	10	10
4.3	11	12	16	17	18	10	11	12	13	13	14	8	8	8	9	10	10	10
4.6	11	12	16	17	18	10	11	12	13	13	14	8	8	9	9	10	10	11
4.9	11	12	16	17	18	10	12	12	13	14	14	8	8	9	10	10	10	11
5.3	11	12	16	17	18	10	12	12	13	14	14	8	8	9	10	10	11	11
5.6	11	12	16	17	19	10	12	13	13	14	15	8	8	10	10	10	11	11
5.9	11	12	16	18	19	11	12	13	14	14	15	8	9	10	10	11	11	11
6.2	11	12	17	18	19	12	12	13	14	14	15	8	10	10	10	11	11	12
6.6	11	12	17	18	19	12	12	13	14	15	15	8	10	10	11	11	11	12
6.9	11	12	17	18	20	12	13	13	14	15	8	8	10	10	11	11	12	12
7.2	11	12	17	19	20	12	13	14	14	15	8	10	10	11	11	11	12	12
7.5	11		17	19	20	12	13	14	15	15	8	10	10	11	11	12	12	13
7.9			17	19	20	12	13	14	15	16	8	10	10	11	11	12	12	13
8.2			18	19	21	13	13	14	15	16	8	10	11	11	12	12	13	13
8.5			18	19	21	13	14	14	15	16	10	10	11	11	12	12	13	13
8.9			18	20	21	13	14	15	16	17	10	10	11	12	12	13	13	14
9.2			18	20	12	13	14	15	16	17	10	11	11	12	12	13	13	14
9.5			19	20	12	13	14	15	16	17	10	11	11	12	13	13	14	14
9.8			19	21	13	13	14	15	16	17	11	11	12	12	13	13	14	14
10.2			19	21	13	14	15	16	17	18	11	11	12	12	13	14	14	15
10.5			19		13	14	15	16	17	18	11	11	12	13	13	14	14	15
10.8			19		13	14	15	16	17	18	11	12	12	13	14	14	15	15
11.2			20		13	14	15	16	18	19	11	12	13	13	14	14	15	15
11.5					13	15	16	17	18	19	11	12	13	13	14	15	15	15
11.8					14	15	16	17	18	11	12	12	13	14	14	15	16	15
12.1					14	15	16	17	7	11	12	13	13	14	15	15	16	16
12.5					14	15	16	18	7	11	12	13	13	14	15	16		
12.8					14	15	17	7	11	12	12	13	14	14	15			
13.1					14	16	7	7	11	12	13	13	14	15				

LEGEND	DESCRIPTION
	S45 Universal Booster - Short
	S45 Universal Booster - Light
	S45 Universal Booster - Standard
	S45 Universal Booster - Heavy Duty
	S45 Universal Booster - Standard with Easy Link
	S45 Universal Booster - Heavy Duty with Easy Link
	Cannot be achieved - outside product specifications



**SPRING PRE-TURNS + CAPACITY | S45 HD TUBE**

Drop (ft)	Width (ft)																	
	2.0	2.6	3.3	3.9	4.6	5.2	5.9	6.6	7.2	7.9	8.5	9.2	9.8	10.5	11.2	11.8	12.5	13.1
1.6	11	12	15	16	10	10	11	11	12	7	7	8	8	8	9	9	9	10
2.0	11	12	15	16	10	10	11	11	12	7	7	8	8	9	9	9	10	11
2.3	11	12	15	16	10	10	11	12	12	7	7	8	8	9	9	9	10	
2.6	11	12	15	16	10	10	11	12	12	7	8	8	8	9	9	9	11	
3.0	11	12	15	17	10	11	11	12	12	7	8	8	8	9	9	10	11	
3.3	11	12	16	17	10	11	11	12	13	7	8	8	9	9	9	10	11	
3.6	11	12	16	17	10	11	11	12	13	7	8	8	9	9	9	10	11	
3.9	11	12	16	17	10	11	12	12	13	7	8	8	9	9	10	10	11	
4.3	11	12	16	17	10	11	12	12	7	7	8	9	9	9	10	10	12	
4.6	11	12	16	17	10	11	12	12	7	7	8	9	9	9	10	10	12	
4.9	11	12	16	17	11	11	12	13	7	7	8	9	9	10	10	11		
5.3	11	12	16	18	11	11	12	13	7	8	9	9	9	10	10	12		
5.6	11	12	17	18	11	11	12	13	7	8	9	9	10	10	10	12		
5.9	11	12	17	9	11	12	12	13	7	8	9	9	10	10	11	12		
6.2	11	13	17	9	11	12	13	13	7	8	9	9	10	10	11	12		
6.6	11	13	17	10	11	12	13	13	7	9	9	10	10	10	11	12		
6.9	11	13	17	10	11	12	13	14	7	9	9	10	10	11	11	13		
7.2	11		17	11	11	12	13	14	7	9	9	10	10	11	11	13		
7.5	11		18	11	12	12	13	14	7	9	9	10	10	11	11	13		
7.9	11		18	11	12	13	13	14	7	9	10	10	11	11	12	14		
8.2	11		18	11	12	13	14	14	9	9	10	10	11	11	12			
8.5			18	11	12	13	14	15	9	9	10	10	11	12	13			
8.9			18	11	12	13	14	15	9	10	10	11	11	12	13			
9.2			18	11	12	13	14	15	9	10	10	11	11	12	13			
9.5			19	11	12	13	14	15	9	10	10	11	12	12	13			
9.8			19	12	13	14	15	16	9	10	11	11	12	12	14			
10.2			19	12	13	14	15	16	10	10	11	11	12	13	14			
10.5			19	12	13	14	15	9	10	10	11	12	12	13	14			
10.8			20	12	13	14	15	9	10	11	11	12	12	13	14			
11.2			20	12	13	14	15	9	10	11	11	12	13	13	15			
11.5			20	12	13	15	16	10	10	11	12	12	13	13	15			
11.8			20	12	14	15	16	10	10	11	12	12	13	14	15			
12.1			12	13	14	15	16	10	11	11	12	13	13	14	15			
12.5			12	13	14	15	16	10	11	11	12	13	14	14				
12.8			12	13	14	15	17	10	11	12	12	13	14	14				
13.1			12	13	14	16	17	10	11	12	13	13	14	14				

LEGEND	DESCRIPTION
	S45 Universal Booster - Short
	S45 Universal Booster - Light
	S45 Universal Booster - Standard
	S45 Universal Booster - Heavy Duty
	S45 Universal Booster - Heavy Duty with Easy Link
	Cannot be achieved - outside product specifications



**RB09 CHAINWINDER | RETROFIT BOOSTER PRE-TURNS + CAPACITY | S45 LT TUBE**

Wraps	Drop (ft)	Width (ft)																				
		0.7	1.3	2.0	2.6	3.3	3.9	4.6	5.2	5.9	6.6	7.2	7.9	8.5	9.2	9.8	10.5	11.2	11.8	12.5	13.1	
4	1.6					3	4	4	5	5	6	7	3	3	4	4	4	4	5	5	5	5
4	2.0					3	4	4	5	5	6	7	3	3	4	4	4	4	5	5	5	5
5	2.3					3	4	4	5	6	6	7	3	3	4	4	4	4	5	5	5	5
6	2.6					3	4	4	5	6	6	7	3	3	4	4	4	4	5	5	5	5
6	3.0					3	4	4	5	6	6	7	3	4	4	4	4	4	5	5	5	5
7	3.3					3	4	5	5	6	6	7	3	4	4	4	4	4	5	5	5	6
7	3.6					3	4	5	5	6	7	7	3	4	4	4	4	4	5	5	5	6
8	3.9					3	4	5	5	6	7	7	3	4	4	4	4	5	5	5	5	6
9	4.3					3	4	5	5	6	7	7	3	4	4	4	4	5	5	5	5	6
9	4.6					3	4	5	5	6	7	3	3	4	4	4	4	5	5	5	6	6
10	4.9					3	4	5	5	6	7	3	4	4	4	4	4	5	5	5	6	6
10	5.2					3	4	5	6	6	7	3	4	4	4	4	4	5	5	5	6	6
11	5.6					4	4	5	6	6	7	3	4	4	4	4	4	5	5	5	6	6
12	5.9					4	4	5	6	6	7	3	4	4	4	4	5	5	5	5	6	6
12	6.2					4	4	5	6	6	7	3	4	4	4	4	5	5	5	6	6	6
13	6.6					4	4	5	6	7	7	3	4	4	4	4	5	5	5	6	6	6
13	6.9					4	4	5	6	7	7	3	4	4	4	4	5	5	5	6	6	6
14	7.2					4	4	5	6	7	7	3	4	4	4	4	5	5	5	6	6	6
14	7.5					4	4	5	6	7	7	4	4	4	4	4	5	5	5	6	6	6
15	7.9					4	5	5	6	7	8	4	4	4	4	5	5	5	6	6	6	6
16	8.2					4	5	5	6	7	8	4	4	4	5	5	5	6	6	6	6	6
16	8.5					4	5	5	6	7	8	4	4	4	5	5	5	6	6	6	6	7
17	8.9					4	5	5	6	7	8	4	4	4	5	5	5	6	6	6	6	7
17	9.2					4	5	5	6	7	8	4	4	4	5	5	5	6	6	6	6	7
18	9.5				3	4	5	6	6	7	8	4	4	4	5	5	5	6	6	6	6	7
18	9.8				3	4	5	6	6	7	3	4	4	4	5	5	5	6	6	6	6	7
19	10.2				3	4	5	6	6	7	3	4	4	4	5	5	5	6	6	6	7	7
19	10.5				3	4	5	6	6	7	3	4	4	4	5	5	6	6	6	6	7	7
20	10.8				3	4	5	6	6	7	3	4	4	5	5	5	6	6	6	7	7	7
20	11.2				3	4	5	6	7	7	4	4	4	5	5	5	6	6	6	7	7	7
21	11.5				3	4	5	6	7	7	4	4	4	5	5	5	6	6	6	7	7	7
21	11.8				3	4	5	6	7	7	4	4	4	5	5	5	6	6	6	7	7	7
22	12.1				3	4	5	6	7	8	4	4	4	5	5	5	6	6	6	7	7	7
22	12.5				3	4	5	6	7	8	4	4	4	5	5	5	6	6	7	7	7	7
23	12.8				3	4	5	6	7	8	4	4	4	5	5	5	6	6	7	7	7	7
23	13.1				3	4	5	6	7	8	4	4	4	5	5	6	6	7	7	7	7	7

LEGEND	DESCRIPTION
	RB09 Chainwinder + Standard Retrofit Booster
	RB09 Chainwinder + Heavy Duty Retrofit Booster
	RB09 Chainwinder + Heavy Duty Retrofit Booster with Easy-Link
	Cannot be achieved - outside product specifications
##	Value indicates number of pre-turns required



**RB09 CHAINWINDER | RETROFIT BOOSTER PRE-TURNS + CAPACITY | S45 STD TUBE**

Wraps	Drop (ft)	Width (ft)																			
		0.7	1.3	2.0	2.6	3.3	3.9	4.6	5.2	5.9	6.6	7.2	7.9	8.5	9.2	9.8	10.5	11.2	11.8	12.5	13.1
4	1.6					3	4	4	5	5	6	7	3	3	4	4	4	4	5	5	5
4	2.0					3	4	4	5	6	6	7	3	3	4	4	4	5	5	5	5
5	2.3					3	4	4	5	6	6	7	3	3	4	4	4	5	5	5	5
6	2.6					3	4	4	5	6	6	7	3	4	4	4	4	5	5	5	5
6	3.0					3	4	5	5	6	6	7	3	4	4	4	4	5	5	5	6
7	3.3					3	4	5	5	6	7	3	3	4	4	4	4	5	5	5	6
7	3.6					3	4	5	5	6	7	3	3	4	4	4	5	5	5	5	6
8	3.9					3	4	5	5	6	7	3	3	4	4	4	5	5	5	5	6
9	4.3					3	4	5	5	6	7	3	3	4	4	4	5	5	5	6	6
9	4.6					3	4	5	5	6	7	3	4	4	4	4	5	5	5	6	6
10	4.9					3	4	5	6	6	7	3	4	4	4	4	5	5	5	6	6
10	5.2					4	4	5	6	6	7	3	4	4	4	4	5	5	5	6	6
11	5.6					4	4	5	6	6	7	3	4	4	4	5	5	5	5	6	6
12	5.9					4	4	5	6	6	7	3	4	4	4	5	5	5	6	6	6
12	6.2					4	4	5	6	7	7	3	4	4	4	5	5	5	6	6	6
13	6.6					4	4	5	6	7	7	3	4	4	4	5	5	5	6	6	6
13	6.9					4	4	5	6	7	7	3	4	4	4	5	5	5	6	6	6
14	7.2					4	4	5	6	7	7	4	4	4	4	5	5	5	6	6	6
14	7.5					4	5	5	6	7	8	4	4	4	5	5	5	5	6	6	6
15	7.9					4	5	5	6	7	3	4	4	4	5	5	5	6	6	6	6
16	8.2					4	5	5	6	7	3	4	4	4	5	5	5	6	6	6	7
16	8.5					4	5	5	6	7	3	4	4	4	5	5	5	6	6	6	7
17	8.9					4	5	5	6	7	3	4	4	4	5	5	5	6	6	6	7
17	9.2					4	5	6	6	7	3	4	4	4	5	5	5	6	6	6	7
18	9.5					4	5	6	6	7	3	4	4	4	5	5	5	6	6	6	7
18	9.8					4	5	6	6	7	3	4	4	4	5	5	5	6	6	7	7
19	10.2					4	5	6	6	7	3	4	4	4	5	5	6	6	6	7	7
19	10.5					4	5	6	6	7	3	4	4	4	5	5	6	6	6	7	7
20	10.8					4	5	6	7	7	4	4	4	4	5	5	6	6	6	7	7
20	11.2					4	5	6	7	7	4	4	4	4	5	5	6	6	6	7	7
21	11.5					4	5	6	7	7	4	4	4	4	5	5	6	6	6	7	7
21	11.8					4	5	6	7	8	4	4	4	4	5	5	6	6	6	7	7
22	12.1				3	4	5	6	7	8	4	4	4	4	5	5	6	6	7	7	7
22	12.5				3	4	5	6	7	8	4	4	4	4	5	5	6	6	7	7	7
23	12.8				3	4	5	6	7	8	4	4	4	4	5	5	6	6	7	7	7
23	13.1				3	4	5	6	7	8	4	4	4	4	5	5	6	6	7	7	7

LEGEND	DESCRIPTION
	RB09 Chainwinder + Standard Retrofit Booster
	RB09 Chainwinder + Heavy Duty Retrofit Booster
	RB09 Chainwinder + Heavy Duty Retrofit Booster with Easy-Link
	Cannot be achieved - outside product specifications
##	Value indicates number of pre-turns required



**RB09 CHAINWINDER | RETROFIT BOOSTER PRE-TURNS + CAPACITY | S45 HD TUBE**

Wraps	Drop (ft)	Width (ft)																				
		0.7	1.3	2.0	2.6	3.3	3.9	4.6	5.2	5.9	6.6	7.2	7.9	8.5	9.2	9.8	10.5	11.2	11.8	12.5	13.1	
3	1.6				3	3	4	5	5	6	3	3	3	4	4	4	5	5	5	5	6	
4	2.0				3	3	4	5	5	3	3	3	3	4	4	4	5	5	5	6	6	
4	2.3				3	3	4	5	5	3	3	3	4	4	4	4	5	5	5	6	6	
5	2.6				3	3	4	5	6	3	3	3	4	4	4	4	5	5	5	6	6	
6	3.0				3	4	4	5	6	3	3	3	4	4	4	5	5	5	5	6	6	
6	3.3				3	4	4	5	6	3	3	3	4	4	4	5	5	5	5	6	6	
7	3.6				3	4	4	5	6	3	3	3	4	4	4	5	5	5	5	6	6	
7	3.9				3	4	4	5	6	3	3	3	4	4	4	5	5	5	6	6	6	
8	4.3				3	4	4	5	6	3	3	3	4	4	4	5	5	5	6	6	6	
8	4.6				3	4	4	5	6	3	3	3	4	4	4	5	5	5	6	6	6	
9	4.9				3	4	4	5	6	3	3	4	4	4	4	5	5	5	6	6	6	
10	5.2				3	4	5	5	6	3	3	4	4	4	5	5	5	5	6	6	6	
10	5.6				3	4	5	5	6	3	3	4	4	4	5	5	5	6	6	6	7	
11	5.9				3	4	5	5	6	3	3	4	4	4	5	5	5	6	6	6		
11	6.2				3	4	5	5	6	3	3	4	4	4	5	5	5	6	6	6		
12	6.6				3	4	5	5	6	3	3	4	4	4	5	5	5	6	6	6		
12	6.9				3	4	5	6	6	3	3	4	4	4	5	5	5	6	6	6		
13	7.2				3	4	5	6	6	3	3	4	4	4	5	5	5	6	6	6		
13	7.5				3	4	5	6	6	3	3	4	4	4	5	5	5	6	6	7		
14	7.9				3	4	5	6	6	3	3	4	4	4	5	5	6	6	6	7		
14	8.2				3	4	5	6	7	3	3	4	4	5	5	6	6	6	7			
15	8.5				3	4	5	6	7	3	4	4	4	5	5	6	6	6	7			
15	8.9				3	4	5	6	3	3	4	4	4	5	5	6	6	6	7			
16	9.2				3	4	5	6	3	3	4	4	4	5	5	6	6	6	7			
16	9.5				3	4	5	6	3	3	4	4	4	5	5	6	6	6				
17	9.8				3	4	5	6	3	3	4	4	4	5	5	6	6	7				
17	10.2				3	4	5	6	3	3	4	4	4	5	5	6	6	7				
18	10.5				3	4	5	6	3	3	4	4	4	5	5	6	6	7				
18	10.8				3	4	5	6	3	3	4	4	4	5	5	6	6	7				
19	11.2				3	4	5	6	3	3	4	4	4	5	5	6	6	7				
19	11.5				4	4	5	6	3	3	4	4	5	5	6	6	7					
20	11.8				4	4	5	6	3	3	4	4	5	5	6	6	7					
20	12.1				4	4	5	6	3	3	4	4	5	5	6	6	7					
21	12.5				4	4	5	6	3	3	4	4	5	5	6	7	7					
21	12.8				4	5	5	6	3	3	4	4	5	5	6	7	7					
21	13.1				4	5	5	6	3	3	4	4	5	5	6	7	7					

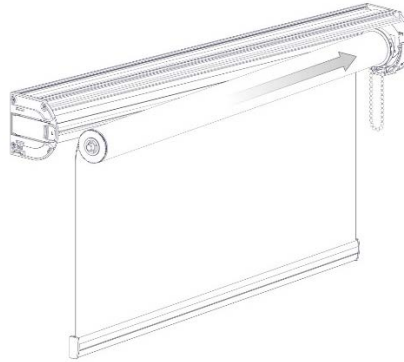
LEGEND	DESCRIPTION
	RB09 Chainwinder + Standard Retrofit Booster
	RB09 Chainwinder + Heavy Duty Retrofit Booster
	RB09 Chainwinder + Heavy Duty Retrofit Booster with Easy-Link
	Cannot be achieved - outside product specifications
##	Value indicates number of pre-turns required





**STEP 2 – MOUNT CONTROL TO END PLATE/BRACKET FIRST**

**STANDARD CASSETTE**



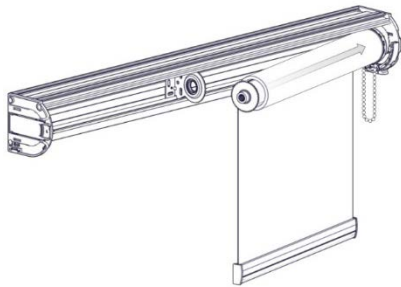
NOTE: For motor application, feed motor cable through pre-drilled hole while installing Shade.

**FOR EASY-LINK ONLY**

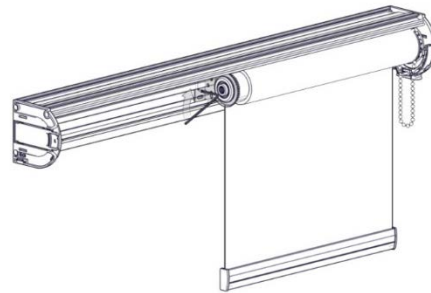
**STEP 2.2 - MOUNT SHADE TO END PLATE/BRACKET FIRST**

**EASY LINK**

Slide control end in first  
Retract idle pin to clip in idler side

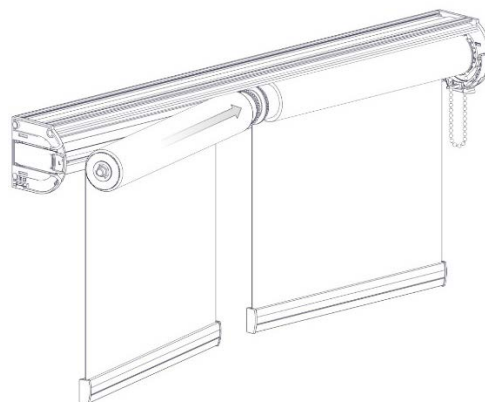


Rotate Shade into box back, retract pin to engage into Easy-Link bracket, tighten grub screw

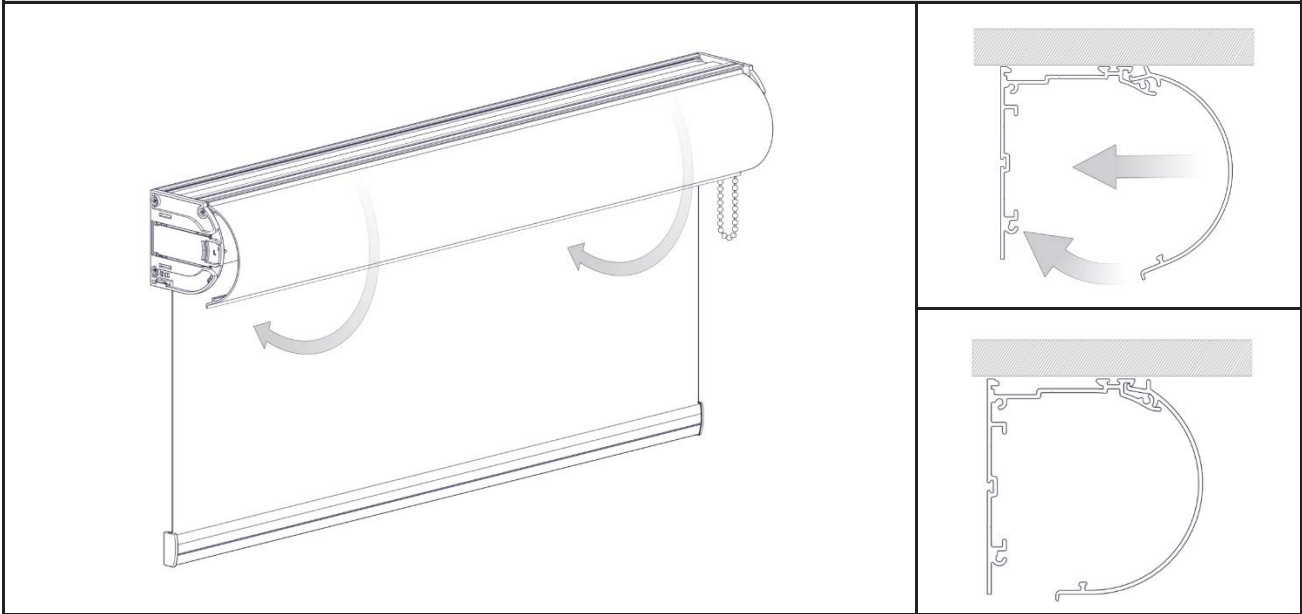


**FOR EASY-LINK ONLY**

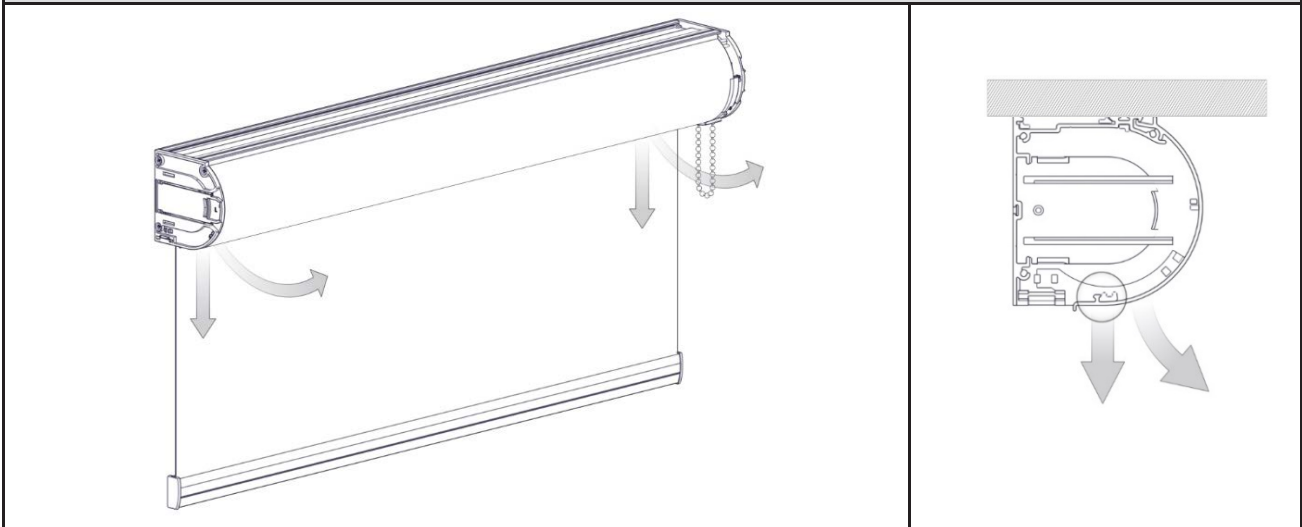
**STEP 2.3 - INSERT 2<sup>ND</sup> SHADE INTO EASY-LINK BRACKET & CLIP IDLER INTO IDLER BRACKET**



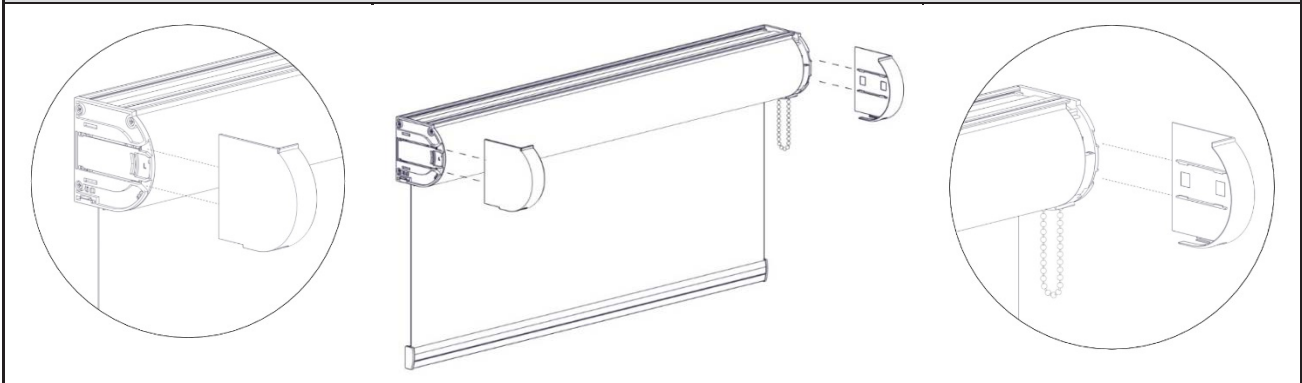
**STEP 3 – INSERT ROUND OR SQUARE COVER ONTO CASSETTE BACK & ROTATE DOWN TO CLIP INTO POSITION**



**STEP 4 – IF COVER NEEDS TO BE REMOVED, PULL INNER EDGE DOWN AND SWING OUT TO DISENGAGE FROM END PLATE CLIP**



**STEP 5 – ALIGN & SLIDE ROUND OR SQUARE END COVERS ONTO END PLATES**

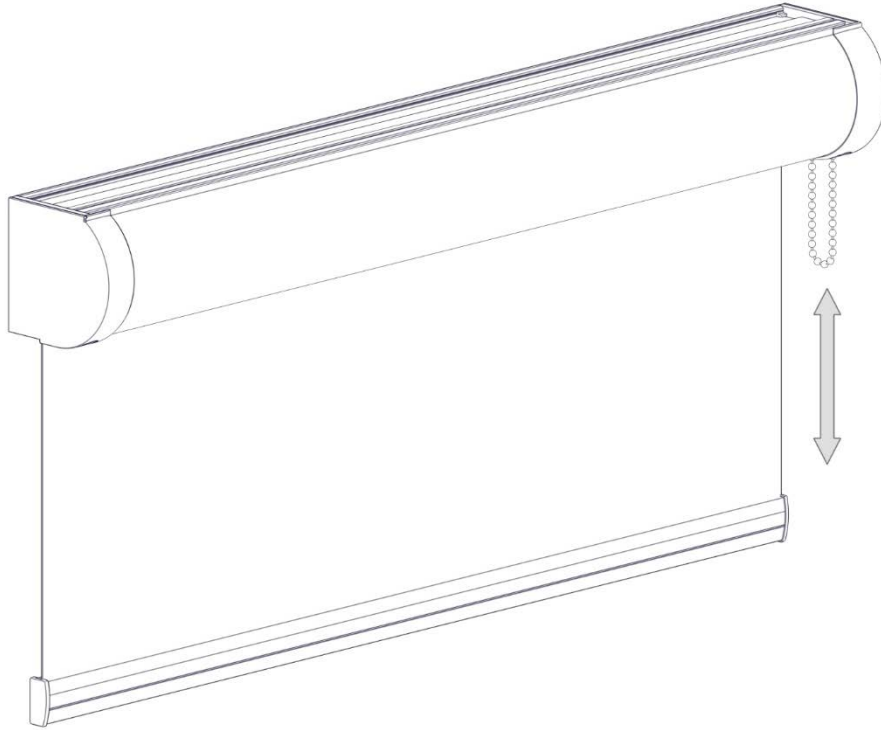


NOTE: A click will be heard when installed correctly

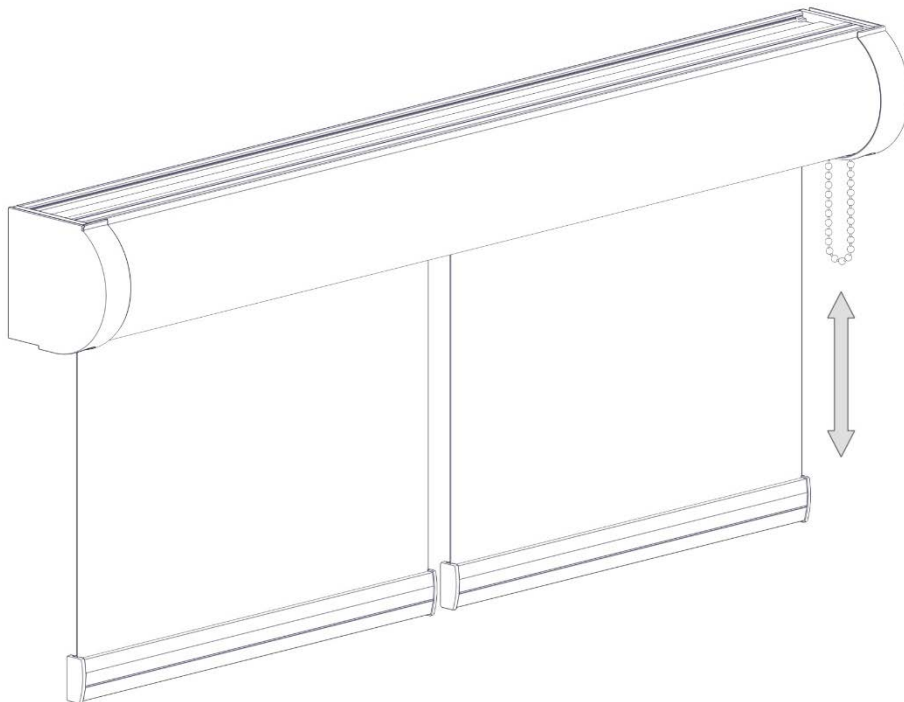


**STEP 6 – TEST SHADE TO ENSURE IT IS OPERATING CORRECTLY**

**STANDARD SHADE**

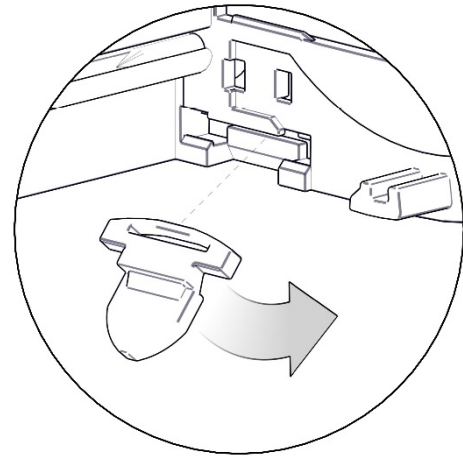
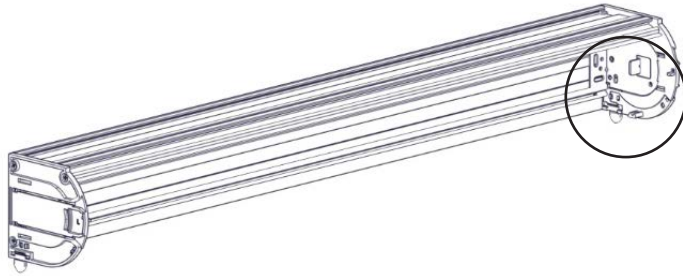


**EASY-LINK SHADE**



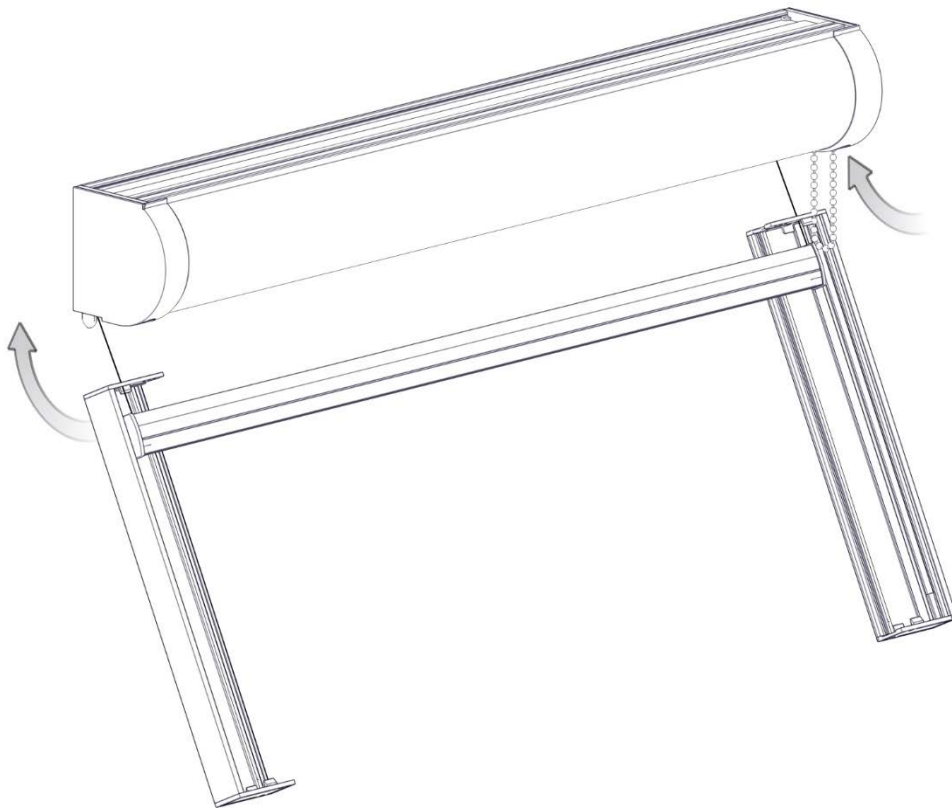
## PART D – INSTALLING CF90 EDGE SIDE GUIDES

### STEP 1 – INSTALL CF90 EDGE SIDE GUIDE EARS (IF NOT PREVIOUSLY INSTALLED AT ASSEMBLY)



NOTE: Ensure ear fits flush with outside of endplates  
FOR DIRECTIONS ON HOW TO INSTALL SHADE REFER TO PART C

### STEP 2 – LOCATE CF90 EDGE FIXING RAIL TO EAR FOR CORRECT POSITION

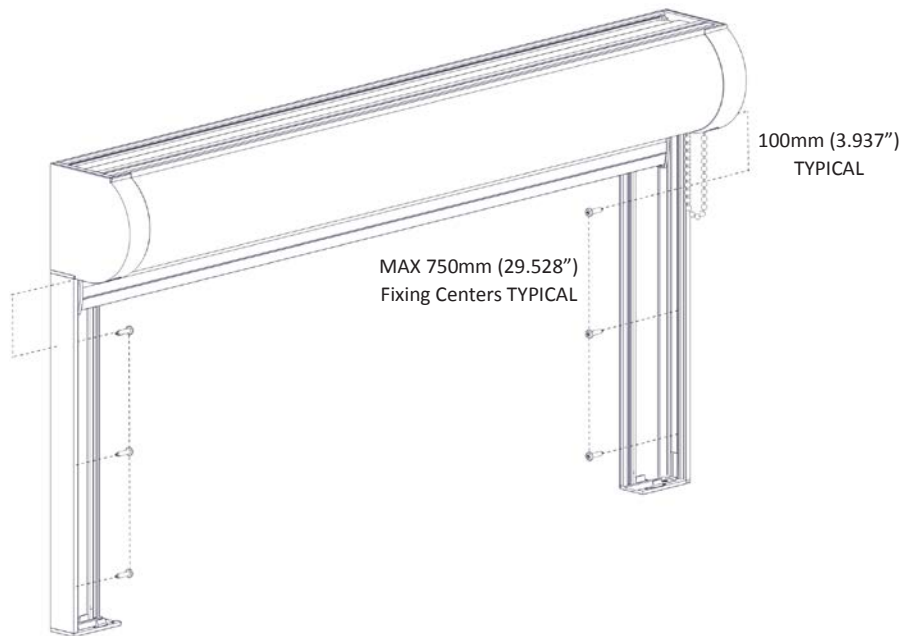


NOTE: Lift out fabric & weight bar to insert fabric into side guides



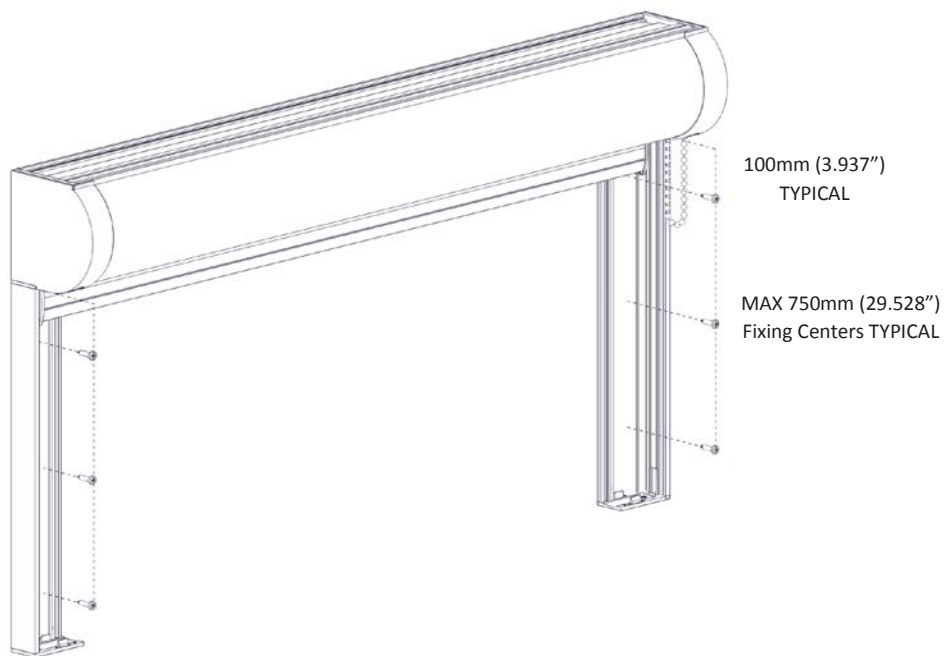
**STEP 3 – FIX SIDE GUIDES**

**RECESS FIX/INSIDE MOUNT**



NOTE: Use grooves in fixing rail to center fixing positions  
NOTE: Ensure side guides are vertical and parallel using a level

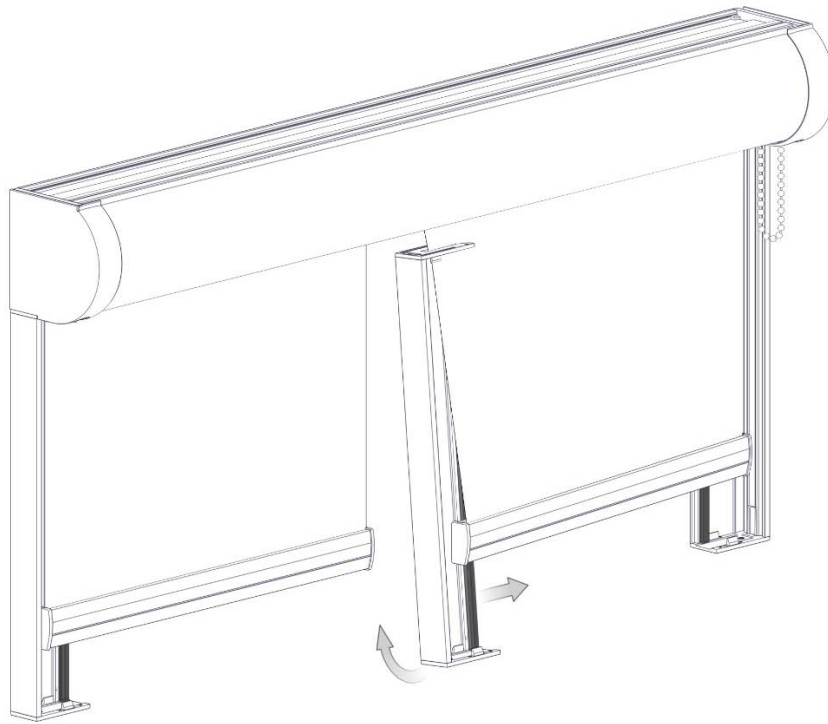
**FACE FIX/WALL MOUNT**



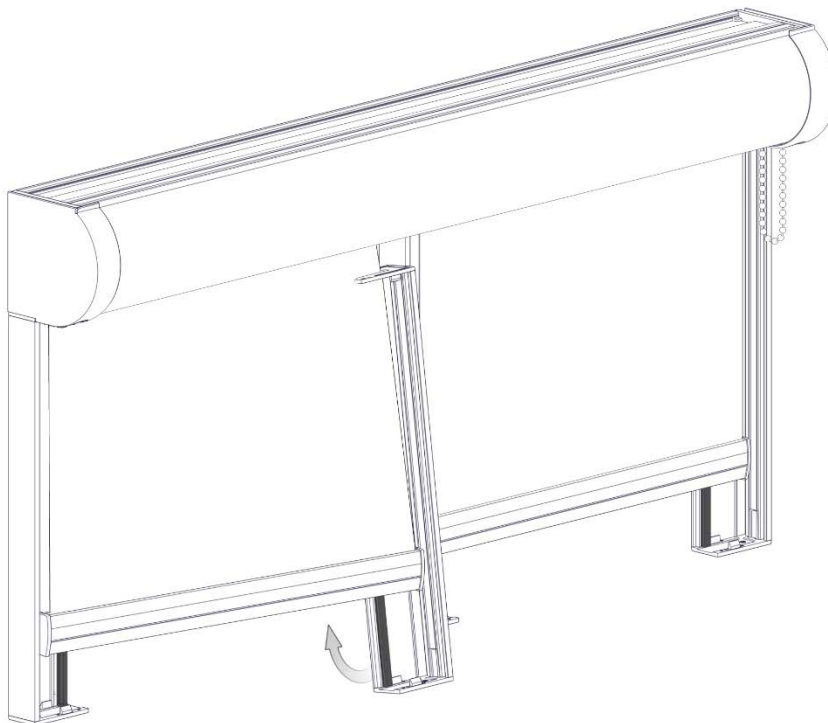
NOTE: Use grooves in fixing rail to center fixing positions  
NOTE: Ensure side guides are vertical and parallel using a level

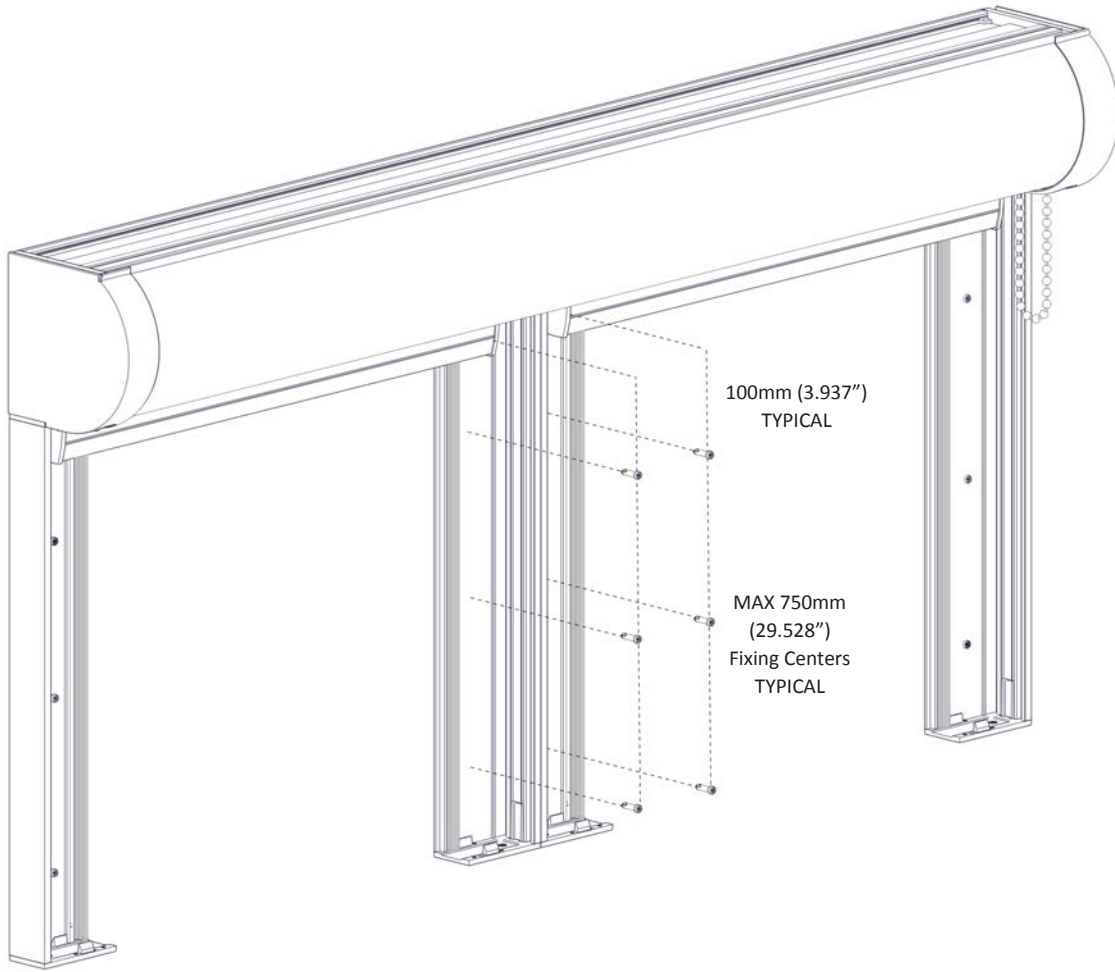


Insert first of the center fixing rails



Complete for opposite Shade

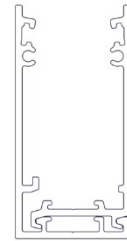
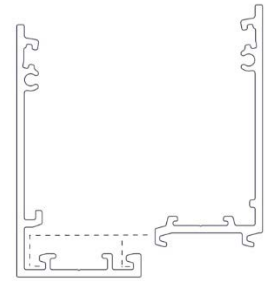
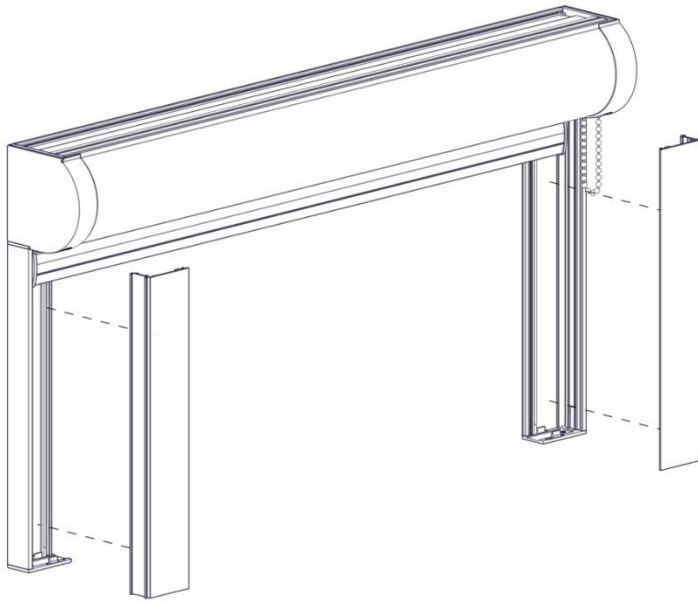




NOTE: Use grooves in fixing rail to center fixing positions  
NOTE: Ensure side guides are vertical and parallel using a level

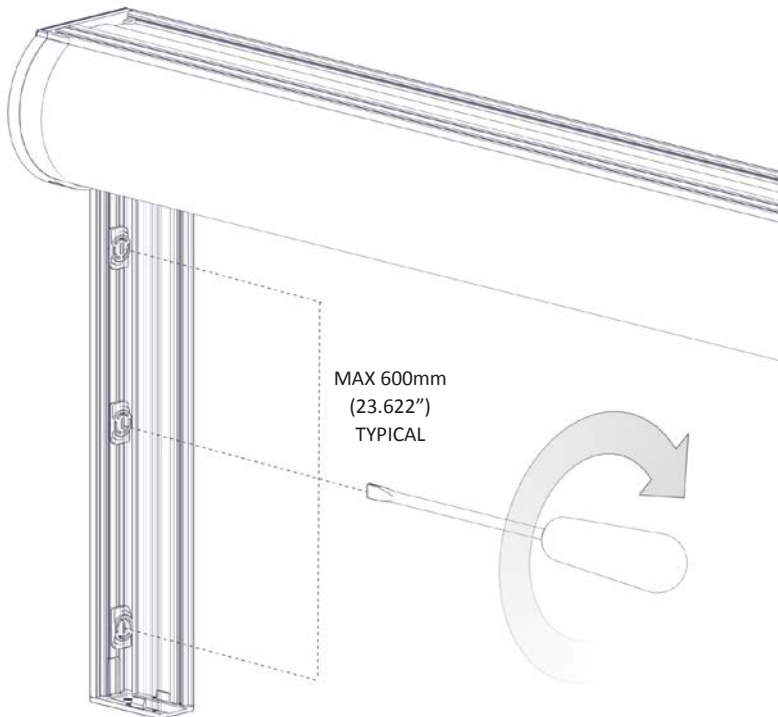


**STEP 4 – INSERT CF90 EDGE COVER RAILS**

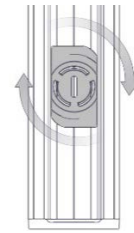


NOTE: Ensure side guide locks are vertical on extrusion

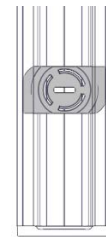
**STEP 5 – USE A FLAT HEAD SCREW DRIVER TO SECURE THE SIDE GUIDES TOGETHER**



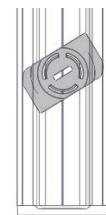
MAX 600mm  
(23.622")  
TYPICAL



**UNLOCKED POSITION:**  
ROTATE CLOCKWISE TO LOCK



**LOCKED POSITION**



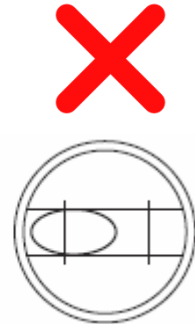
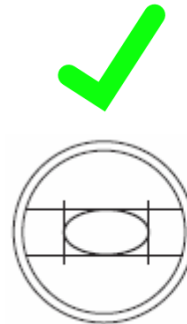
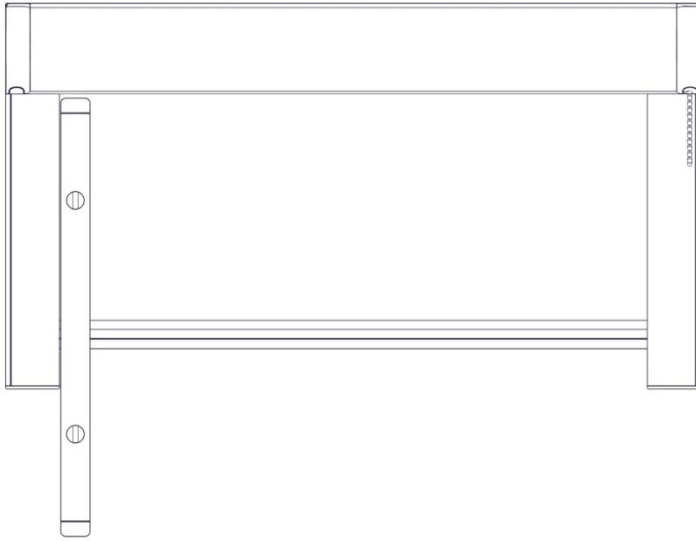
NOTE: CF90 Edge cover has been removed for clarity



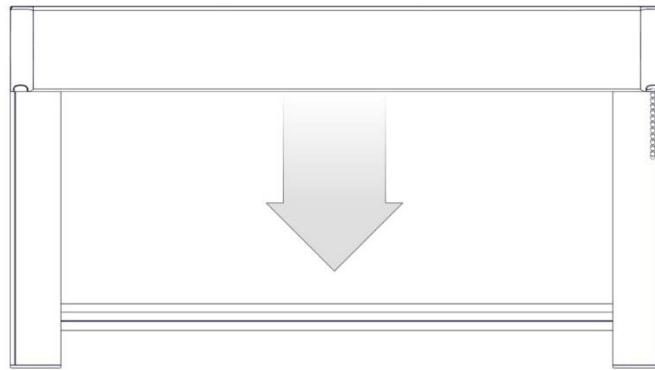


**STEP 6 – TEST SHADE TO ENSURE IT IS OPERATING CORRECTLY**

Check CF90 Edge channels are vertical and parrallel using a level



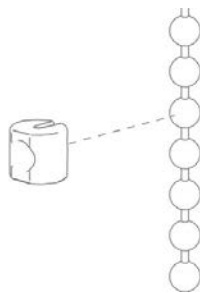
Run Shade down and up to ensure correct operation



**STEP 7 – SET LIMITS TO SHADE (IF MOTORIZED)**

Please refer to instructions provided with motor.

**STEP 8 – ATTACH CHAIN STOP TO CHAIN AS REQUIRED**

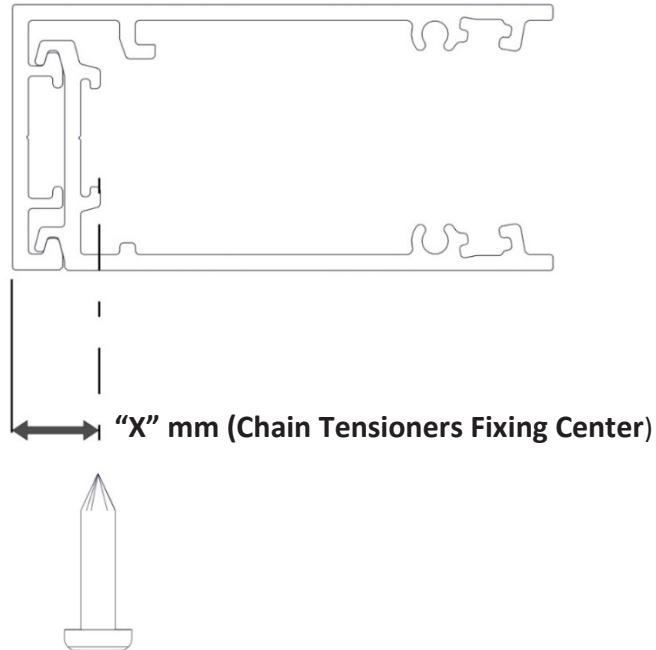


PART E – INSTALLING CHAIN TENSIONER (CHAIN OPERATED SHADES)

STEP 1 – SECURE CHAIN TENSIONER ACCORDING TO CHILD SAFETY LEGISLATION

FOR PLAIN CASSETTE: REFER TO *CHAIN TENSIONING DEVICE* INSTALLATION MANUAL

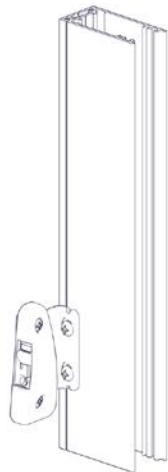
FOR CF90 Edge:



IMPORTANT NOTE:

- All tensioners to be fixed to side guides as specified to ensure bottom rail function is not affected
- To assist with installation, it is recommended to drill pilot holes in the side guide
- When installing Chain Tensioning devices, you must refer to the Chain Tensioning Devices Installation manual

Chain Hold  
SH6CHXX

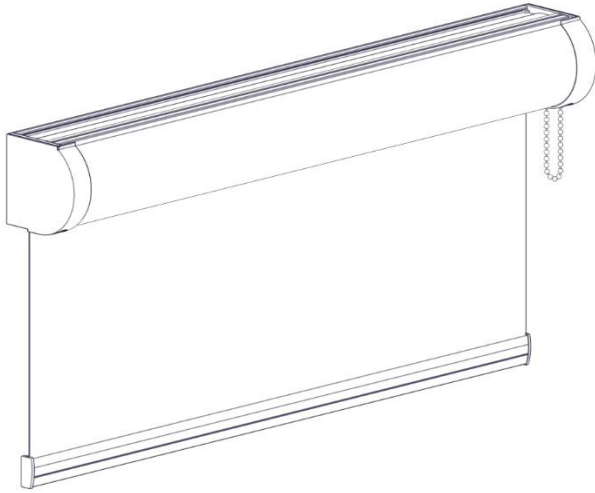


X = 10mm (0.394")

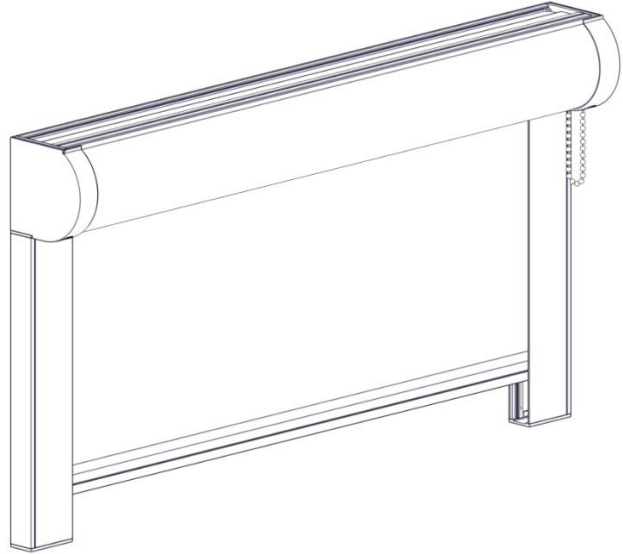


PART F – INSTALLED SHADE

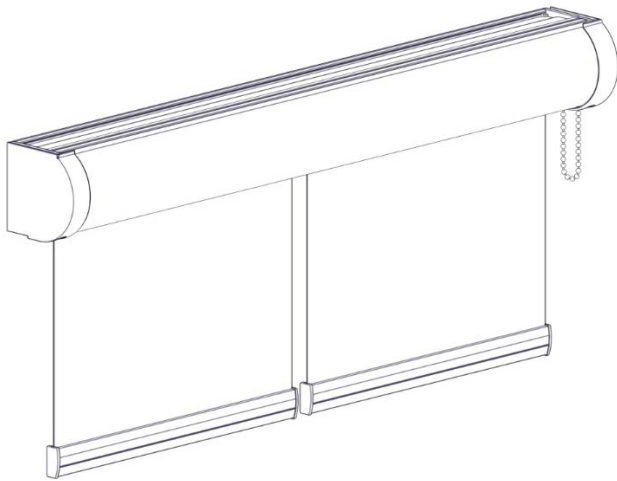
STANDARD CASSETTE



STANDARD CASSETTE (CF90 Edge)



EASY-LINK CASSETTE



EASY-LINK (CF90 Edge)

