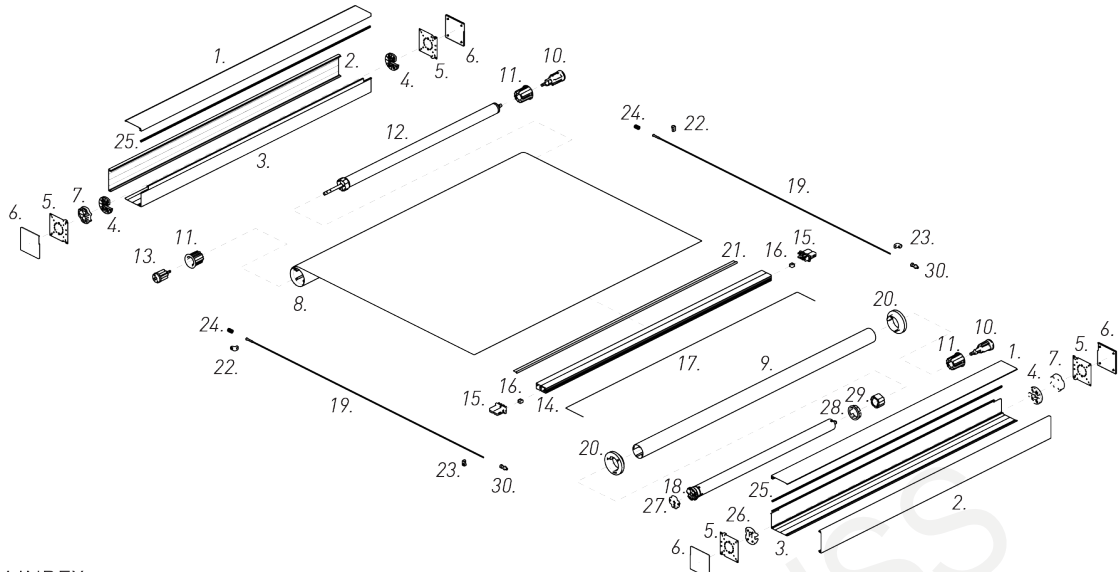


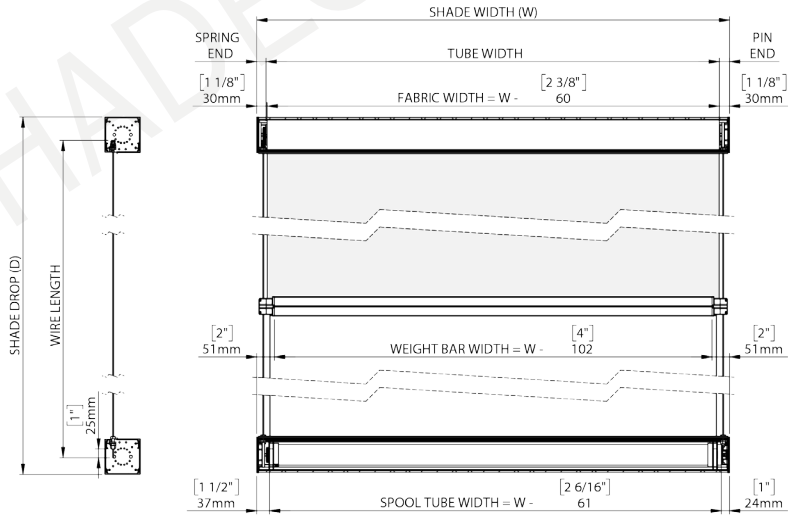
Skylight Tension Wire Guide System



SYSTEM INDEX:

- | | | |
|------------------------------|-------------------------------------|-----------------------------|
| 1. Box 100 Top | 11. RB10 Tube Adapter | 21. 7.2mm Spline |
| 2. Box 100 Back | 12. RB10 Booster | 22. Wire Rope - Top Bracket |
| 3. Box 100 Cover | 13. RB10 Bearing Idler | 23. Tensioning L-Bracket |
| 4. RB10 Idler Head Adapter | 14. F56 Weight Bar | 24. Compression Spring |
| 5. Universal End Plates | 15. F56 Skylight Wire Guide End Cap | 25. Fabric Brush T Slot Fit |
| 6. End Plate Cover Set | 16. Wire Guide Ceramic Block | 26. SLIM Motor Adapter |
| 7. RB10 Idler Adapter Spacer | 17. Lift Tape/Cord | 27. Motor Head Plate S60 |
| 8. 60 STD Aluminum Tube | 18. Motor 15Nm | 28. Crown Wheel S60 |
| 9. 60 STD Aluminum Tube | 19. 3.2mm Wire Cable | 29. Drive Wheel Set S60 |
| 10. RB10 Pre-Tension Idler | 20. Skylight Tape Spool | 30. Threaded Hollow Bolt |

DEDUCTIONS



CONTROL

MOTORIZED + SPRING

Hardware Colors

- bronze
- white
- black
- mill

