

Rollease Acmeda Original R-Series Clutch (Optional)

SYSTEM NAME

The R-Series system is the original clutch system product line developed by Rollease Acmeda. Over the course of 30 years, the R-Series maintains its popularity because of its reliability and ease of fabrication.

AESTHETIC FEATURES

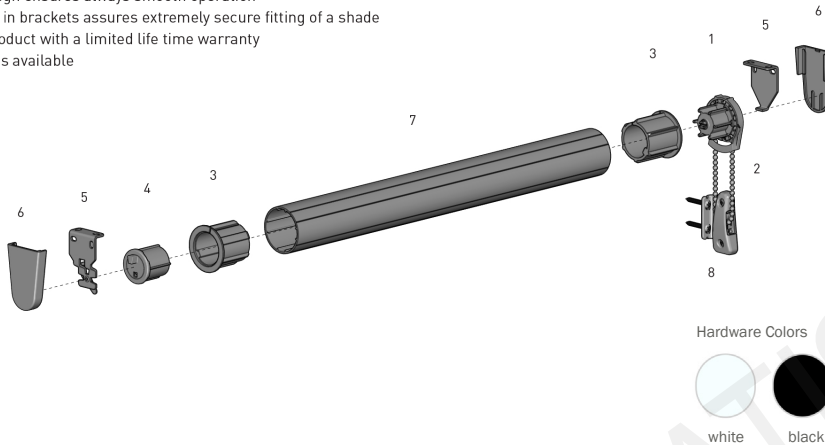
- Minimal light gaps

ASSEMBLY / PRODUCTION FEATURES

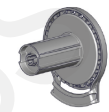
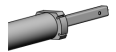
- Made with optimum tolerances to ensure high quality
- Fiberglass reinforced materials ensures long working life
- Possible to use with a wide range of tube sizes
- Ideal for commercial applications

FUNCTIONAL BENEFITS

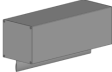
- Multispring design ensures always smooth operation
- Locking feature in brackets assures extremely secure fitting of a shade
- Long-lasting product with a limited life time warranty
- Exterior versions available


SYSTEM INDEX

1	R-Series Clutch R##C###xx RGAL###xx
2	Chain RBC45Mxx - Metal RBC6MMxx - Plastic
3	Adapter RA2##xx
4	R-Series End Plug REP###xxx
5	R-Series Bracket RB####xx RBGALxx
6	R-Series Bracket Cover RBPC###xx
7	Aluminium Tube RTEA#T##
8	Tension / Hold Down Devices RE0051203 RB91-1336-xxx000 + RB91-1337-xxx000
	# - Size xxx- Color

PRODUCT OPTIONS
GALAXY CLUTCH

SPRING ASSIST

Hardware Colors

SYSTEM UPGRADES
CASSETTE
80/100/120

POCKETS
3"/4"/5"/6"

OTHER CONTROL OPTIONS
MOTORIZED


For more than 30 years, Rollease Acmeda R-Series clutches have been the market leader when it comes to reliability, dependability and strength. Rollease Acmeda pioneered the R-Series clutch in 1982 and no one has been able to beat it since. Rollease Acmeda R-Series clutches are ideal for handling commercial applications or large weights. R-Series clutches stand up to heavy use time and time again. This spring mechanism creates ease of pull for smooth, uninterrupted lifting of window coverings.

Features and Benefits:

- Heavy shades feel light - Multi-spring design for easy pull
- Never needs adjusting - Manufactured to tolerances within .004" (0.1mm)
- Shade stays secure in brackets - End plug bracket locking feature prevents slippage
- Trouble-free performance - Fiberglass-reinforced resin PBT housing

Available In:

2 Color Finishes - White, Black

Exterior clutches also available (using stainless steel springs)

3 Tube Diameters - 1" (25mm), 1-1/8" (28mm), 1-1/2" (38mm) with matching End Plugs

2 Adapters - 2" (50mm) & 2-1/2" (63mm)

Brackets - Standard and Heavy Duty

System Upgrades:

Cassette 80, Cassette 100 and Cassette 120 Systems

Contract Pockets and Blackout Channels

Product Options:

Galaxy and Spring Assist

Link System