



CF90 & SKYLINE BOTTOM UP

PRODUCT SPECIFICATIONS



www.shadesbymatiss.com | T. 800 493 2040 | email: info@shadesbymatiss.com



CONTENTS

SECTION A | OVERVIEW 3

SKYLINE BOTTOM UP GENERAL SCHEMATICS3

CF90 BOTTOM UP GENERAL SCHEMATICS4

SECTION B | SYSTEM SPECIFICATIONS 5

SKYLINE CONTROLS5

CF90 CONTROLS5

SKYLINE MOTOR CONTROL6

SECTION C | SYSTEM CHARTS 7

SKYLINE CHAIN CONTROL.....7

CF90 MOTOR CONTROL.....8

CF90 CHAIN CONTROL.....9

BOTTOM UP RAIL DEFLECTION10

SECTION D | SPECIFICATION IMAGES 11

SKYLINE MAXIMUM ROLL11

SKYLINE ARCHITECTURAL VIEWS11

CF90 MAXIMUM ROLL12

CF90 ARCHITECTURAL VIEWS (WITHOUT SIDE GUIDES).....12

CF90 ARCHITECTURAL VIEWS (WITH SIDE GUIDES).....13

SECTION E | WARRANTY 14

DISCLAIMER

INTRODUCTION

This Product Specifications manual for CF90 & Skyline Bottom Up has been produced by Rollease Acmeda to supply the necessary information for the safe and correct installation of CF90 & Skyline Bottom Up .

DISCLAIMER

Rollease Acmeda has used reasonable care in preparing the information included in this document, but makes no representations or warranties as to the completeness or accuracy of the information. Information is supplied upon the condition that the persons receiving the information will make their own determination as to its suitability for their purposes prior to use. Rollease Acmeda assumes no liability whatsoever for any damages incurred by you resulting from errors in or omissions from the information included herein. Rollease Acmeda reserves the right to make changes without further notice to any products to improve reliability, function or design.

COPYRIGHT

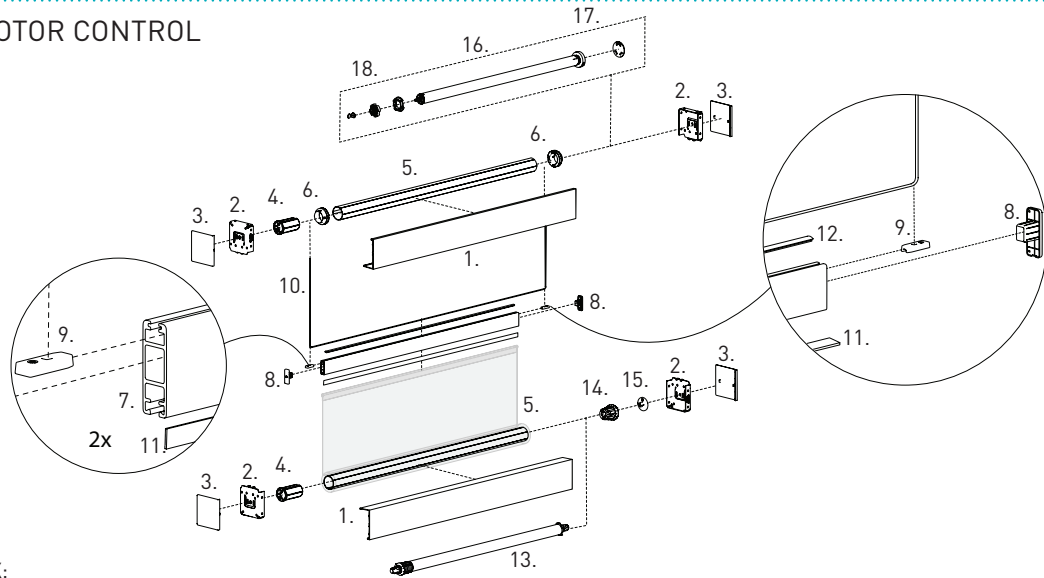
COPYRIGHT © ROLLEASE ACMEDA

All rights are reserved. No part of this document may be reproduced or utilised in any means, by any means, electronic or mechanical including photocopying, recordings, or by any information storage or retrieval system, without the express permission from Rollease Acmeda.



SKYLINE BOTTOM UP GENERAL SCHEMATICS

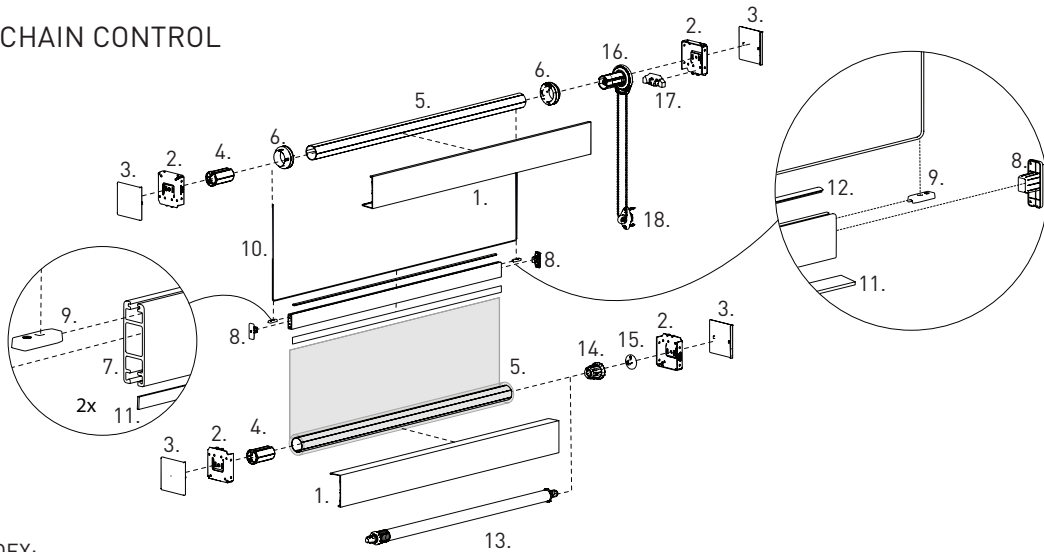
SKYLINE MOTOR CONTROL



SYSTEM INDEX:

- | | |
|-----------------------------|---|
| 1. Skyline Fascia | 10. Cord |
| 2. Skyline Bracket | 11. Flat Spline |
| 3. Skyline Bracket Cover | 12. Bottom Up Rail Seal |
| 4. HD Pin End | 13. Booster Universal - 1.5" - No Stop |
| 5. 1.5" Tube | 14. Chainfree Control - 1.5" |
| 6. 1.5" Spool | 15. ESU Skyline Adapter |
| 7. Bottom Up Rail | 16. Automate Li-ion 2.0Nm Motor |
| 8. Bottom Up Rail Caps | 17. Automate Li-ion 2.0Nm Motor Adapter |
| 9. Bottom Up Cord Guide Kit | 18. Automate Li-ion 2.0Nm Motor Crown & Drive Kit |

SKYLINE CHAIN CONTROL



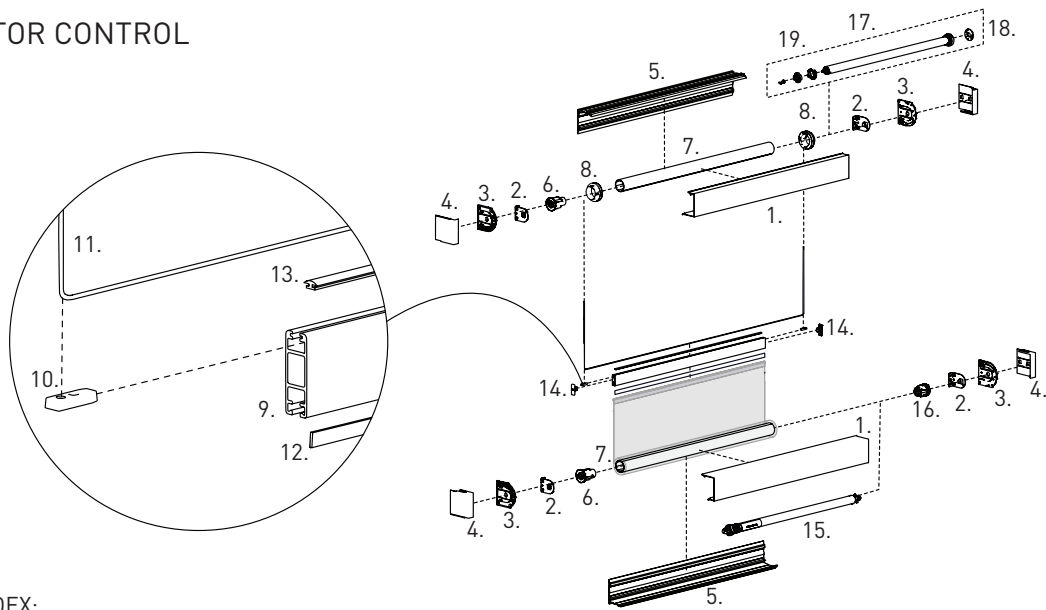
SYSTEM INDEX:

- | | |
|-----------------------------|--|
| 1. Skyline Fascia | 10. Cord |
| 2. Skyline Bracket | 11. Flat Spline |
| 3. Skyline Bracket Cover | 12. Bottom Up Rail Seal |
| 4. HD Pin End | 13. Booster Universal - 1.5" - No Stop |
| 5. 1.5" Tube | 14. Chainfree Control - 1.5" |
| 6. 1.5" Spool | 15. ESU Skyline Adapter |
| 7. Bottom Up Rail | 16. Skyline Clutch |
| 8. Bottom Up Rail Caps | 17. Skyline Chain Diverter |
| 9. Bottom Up Cord Guide Kit | 18. Chainhold Tension Device |



CF90 BOTTOM UP GENERAL SCHEMATICS

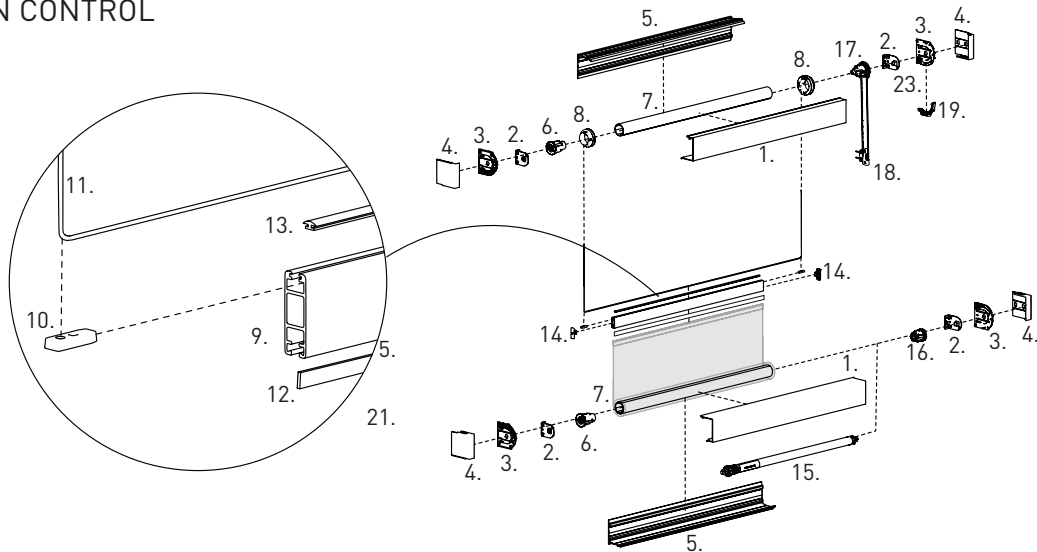
CF90 MOTOR CONTROL



SYSTEM INDEX:

- | | | |
|--|---------------------------------------|---|
| 1. Cassette 90 Square Cover | 9. Bottom Up Rail | 18. Automate Li-ion 2.0Nm Motor Adapter |
| 2. Easy-Lock 'LX Bracket for Idler Dome (RB09) | 10. Bottom Up Cord Guide Kit | 19. Automate Li-ion 2.0Nm Motor Crown & Drive Kit |
| 3. Cassette 90 End Plate Set | 11. Cord | |
| 4. Cassette 90 Square End Cap Set | 12. Flat Spline | |
| 5. Cassette 90 Back | 13. Bottom Up Rail Seal | |
| 6. Pin End | 14. Bottom Up Rail Caps | |
| 7. S45 Tube | 15. Booster Universal - S45 - No Stop | |
| 8. S45 Spool Kit | 16. Chainfree Control - S45 | |
| | 17. Automate Li-ion 2.0Nm Motor | |

CF90 CHAIN CONTROL



SYSTEM INDEX:

- | | | |
|--|---------------------------------------|------------------------------|
| 1. Cassette 90 Square Cover | 9. Bottom Up Rail | 18. Chainhold Tension Device |
| 2. Easy-Lock 'LX Bracket for Idler Dome (RB09) | 10. Bottom Up Cord Guide Kit | 19. Chain Guide Set |
| 3. Cassette 90 End Plate Set | 11. Cord | |
| 4. Cassette 90 Square End Cap Set | 12. Flat Spline | |
| 5. Cassette 90 Back | 13. Bottom Up Rail Seal | |
| 6. Pin End | 14. Bottom Up Rail Caps | |
| 7. S45 Tube | 15. Booster Universal - S45 - No Stop | |
| 8. S45 Spool Kit | 16. Chainfree Control - S45 | |
| | 17. Easy-Lock Chain Winder | |



SKYLINE CONTROLS



AUTOMATE | Li-ion 1.1Nm
AUTOMATE | Li-ion Q2.0Nm



G200 Galaxy Skyline
Geared Clutch - 1.5"



G200 Spring Assist
36"

CF90 CONTROLS



AUTOMATE | Li-ion 1.1Nm
AUTOMATE | Li-ion Q2.0Nm
AUTOMATE | E6

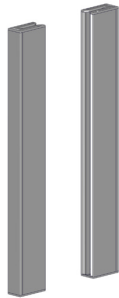


RB09 Easy-Lock
Chain Winder



STANDARD Easy-Lift
Retrofit Booster

CASSETTE dim-OUT | SIDE GUIDE (Optional)



SYSTEM COLORS



WHITE



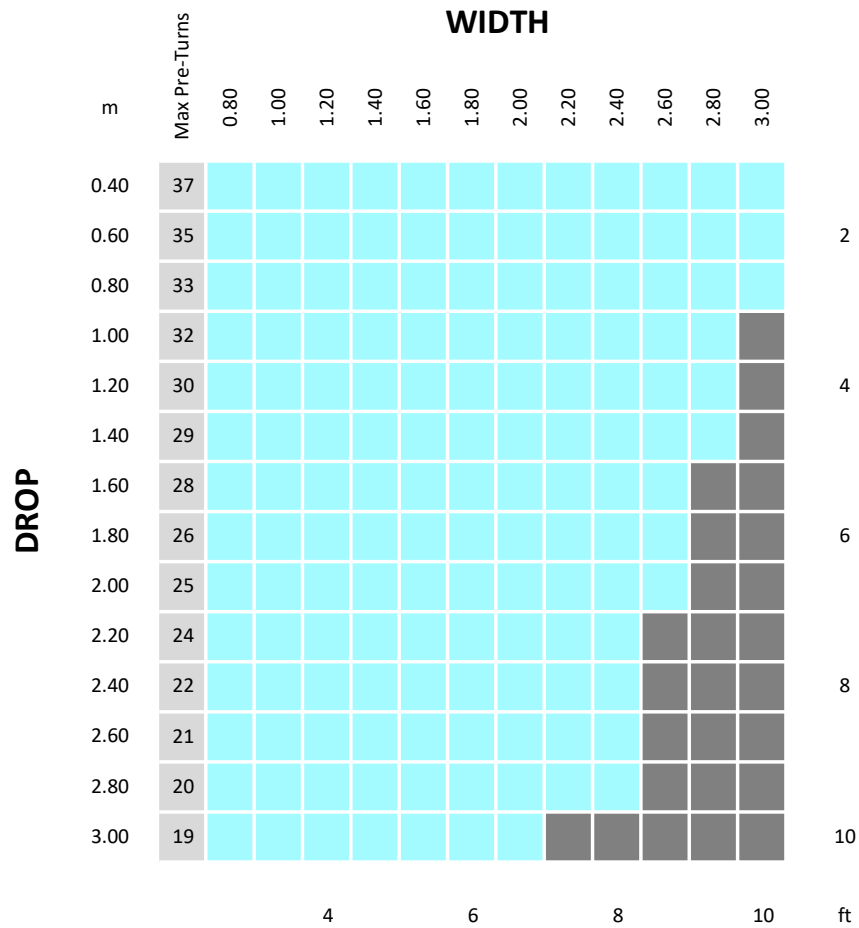
ANODISED



BLACK



SKYLINE MOTOR CONTROL



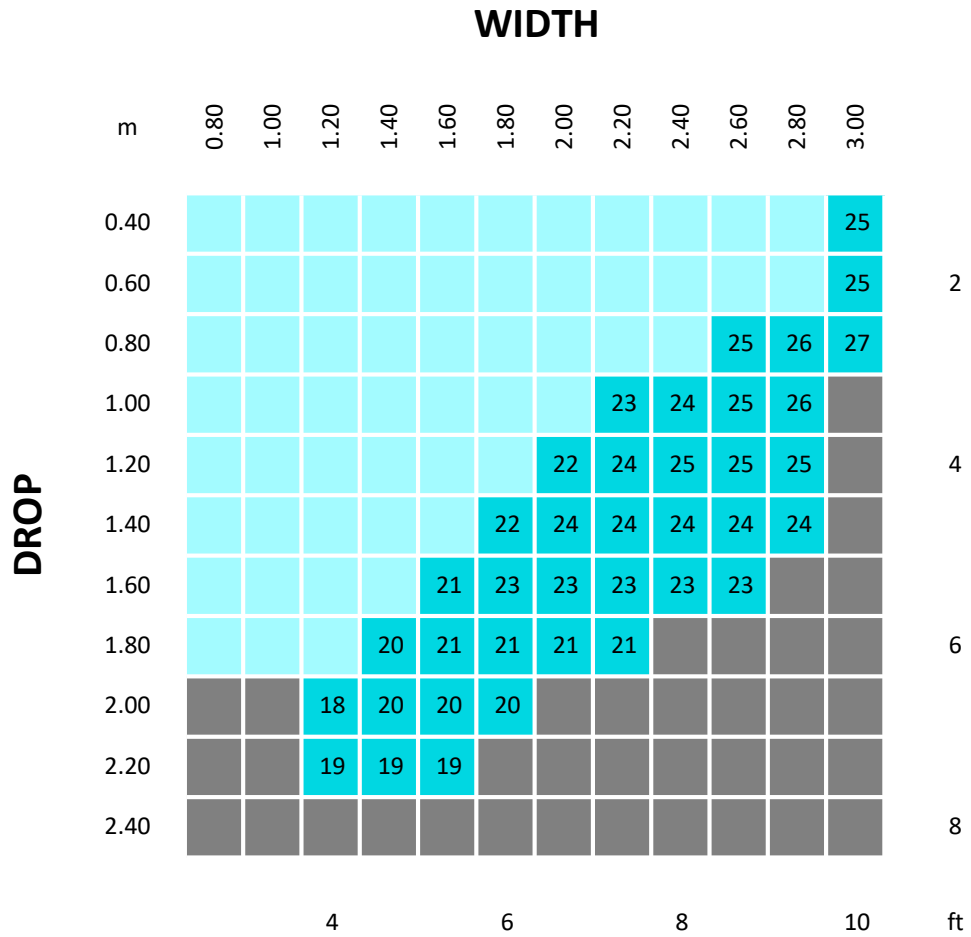
Minimum Blind Width:
AUTOMATE | Li-ion Q2.0Nm: 770mm / 30.3inches

LEGEND	DESCRIPTION
	Skyline (1.5" Tube) + AUTOMATE Q2.0Nm Motor
	Maximum Universal Booster pre-turns (Bottom Tube)
	Cannot be achieved - outside product specifications

Parameters
 Fabric Density: 420gsm / 12.4oz/yd²
 Fabric Thickness: 0.5mm / 0.02inches
 Weight Bar: Bottom Up Rail



SKYLINE CHAIN CONTROL



Minimum Blind Width: 670mm / 26.4inches
 G200 36" Spring Assist: 1100mm / 43.3inches

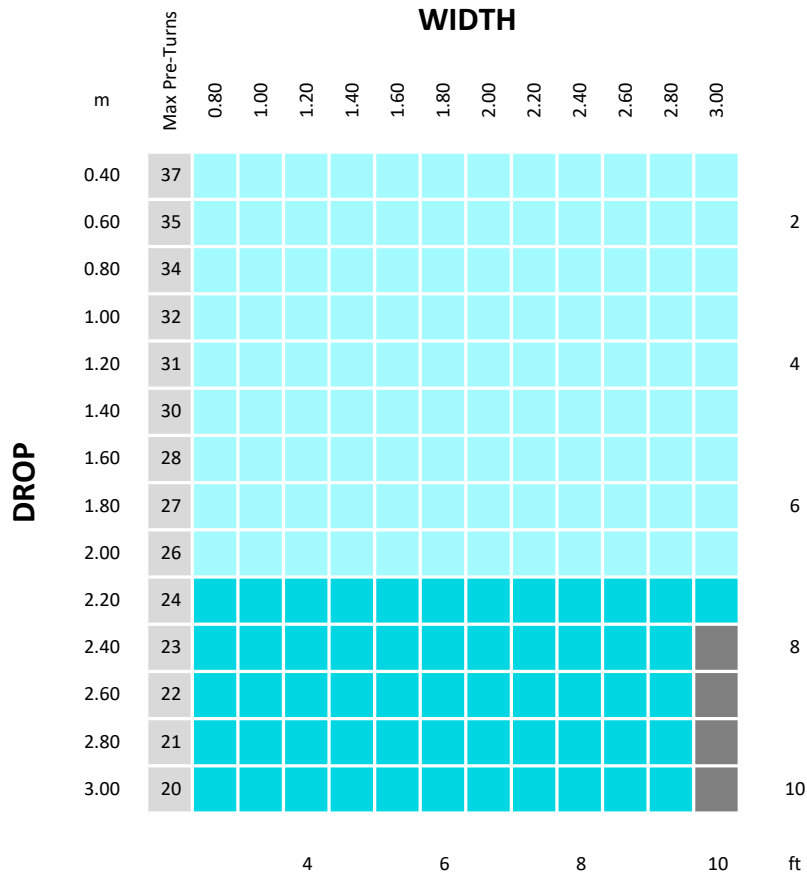
LEGEND	DESCRIPTION
	G200 Galaxy Skyline Geared Clutch
	G200 Galaxy Skyline Geared Clutch + 36" Spring Assist with pre-turns
	Cannot be achieved - outside product specifications

Parameters

Fabric Density: 420gsm / 12.4oz/yd²
 Fabric Thickness: 0.5mm / 0.02inches
 Weight Bar: Bottom Up Rail
 15 Universal Booster preturns applied for all shade sizes (bottom tube)



CF90 MOTOR CONTROL



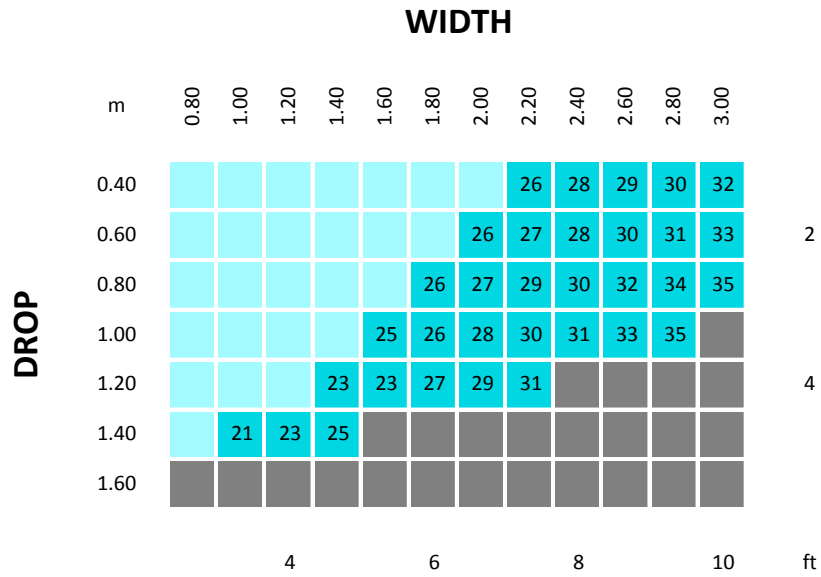
Minimum Blind Width:
AUTOMATE | Li-ion Q2.0Nm: 770mm / 30.3inches

LEGEND	DESCRIPTION
	CF90 (S45 STD Tube) + AUTOMATE Q2.0Nm Motor
	CF90 (S45 STD Tube) + AUTOMATE E6
	Maximum Universal Booster pre-turns (Bottom Tube)
	Cannot be achieved - outside product specifications




Parameters
 Fabric Density: 420gsm / 12.4oz/yd²
 Fabric Thickness: 0.5mm / 0.02inches
 Weight Bar: Bottom Up Rail



CF90 CHAIN CONTROL



Minimum Blind Width: 670mm / 26.3inches
 STD Easy-Lift Retrofit Booster: 830mm / 32.7inches

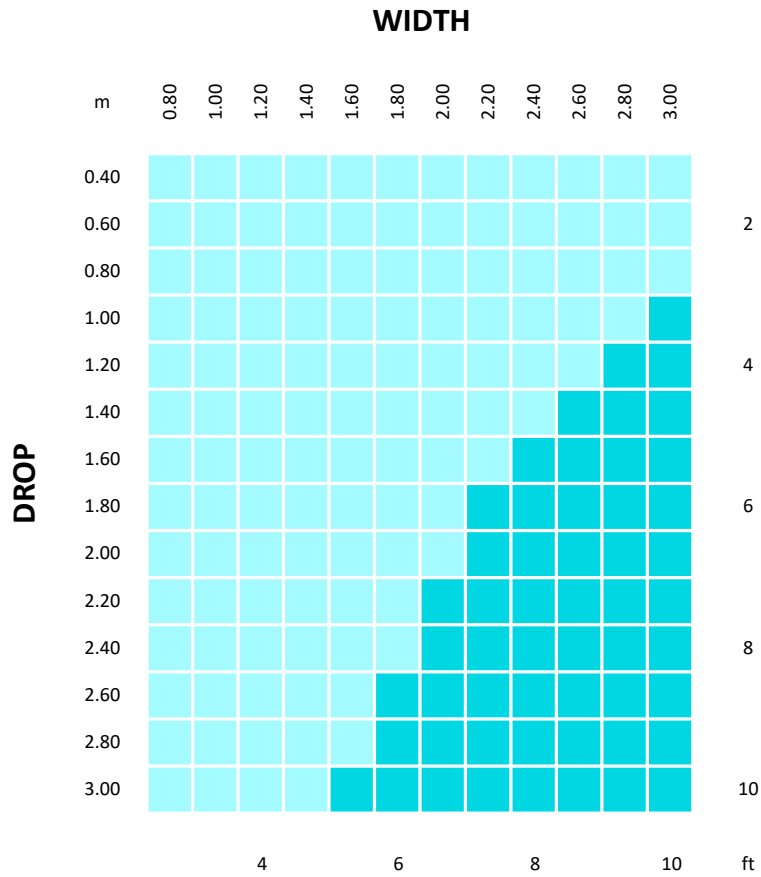
LEGEND	DESCRIPTION
	RB09 Easy-Lock Chain Winder
	RB09 Easy-Lock Chain Winder + STD Booster with pre-turns
	Cannot be achieved - outside product specifications



Parameters

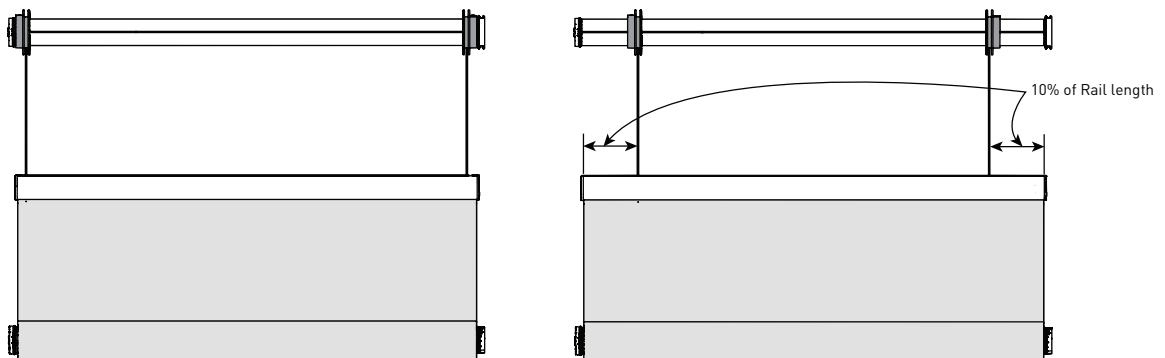
Fabric Density: 420gsm / 12.4oz/yd²
 Fabric Thickness: 0.5mm / 0.02inches
 Weight Bar: Bottom Up Rail
 15 ESU Light preturns applied for all shade sizes (bottom tube)



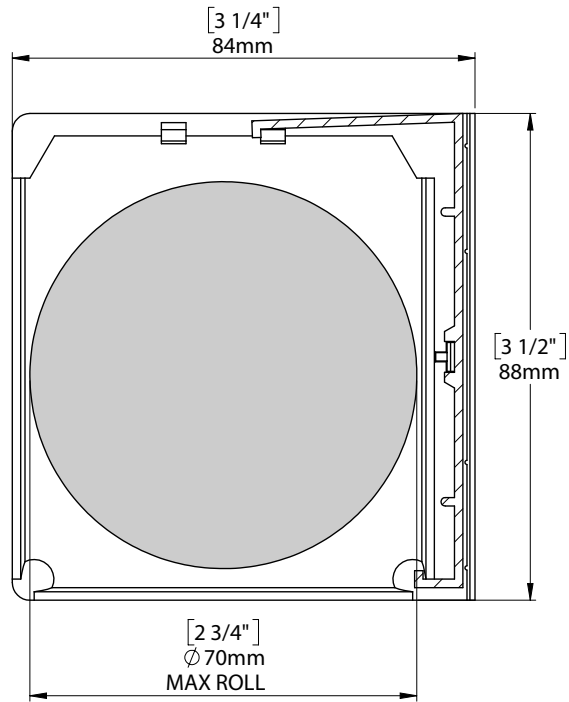
BOTTOM UP RAIL DEFLECTION



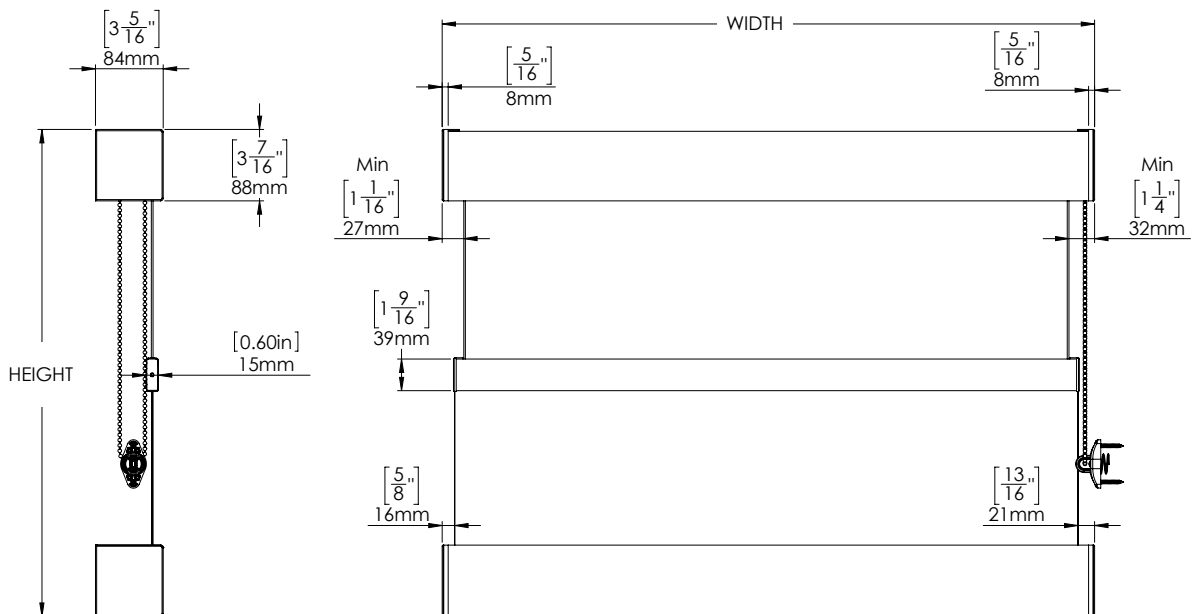
LEGEND	DESCRIPTION
	Cords at edges
	Move Spool & Cord Guide in 10% of overall width



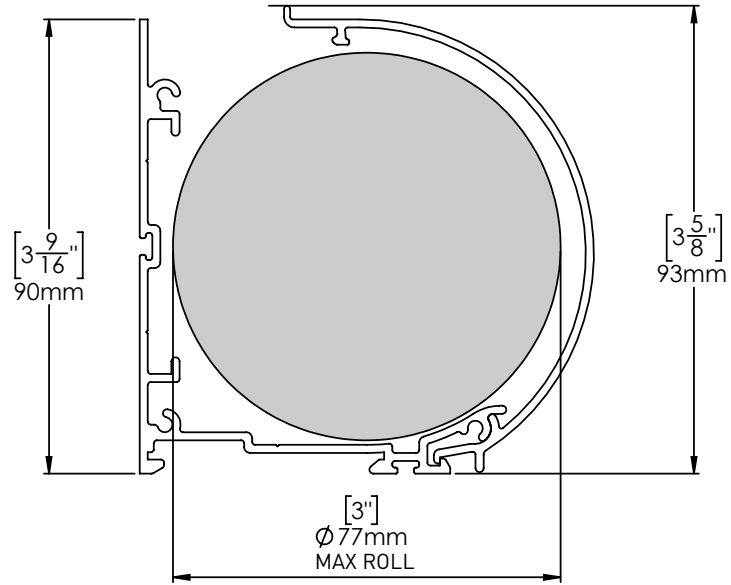
SKYLINE MAXIMUM ROLL



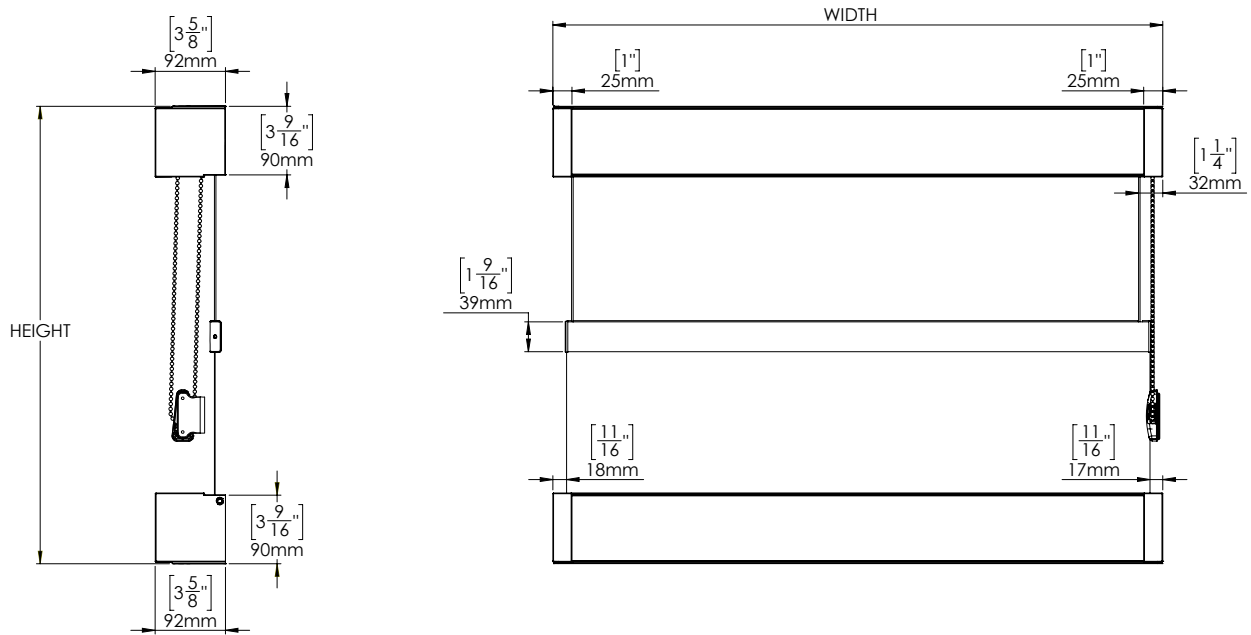
SKYLINE ARCHITECTURAL VIEWS



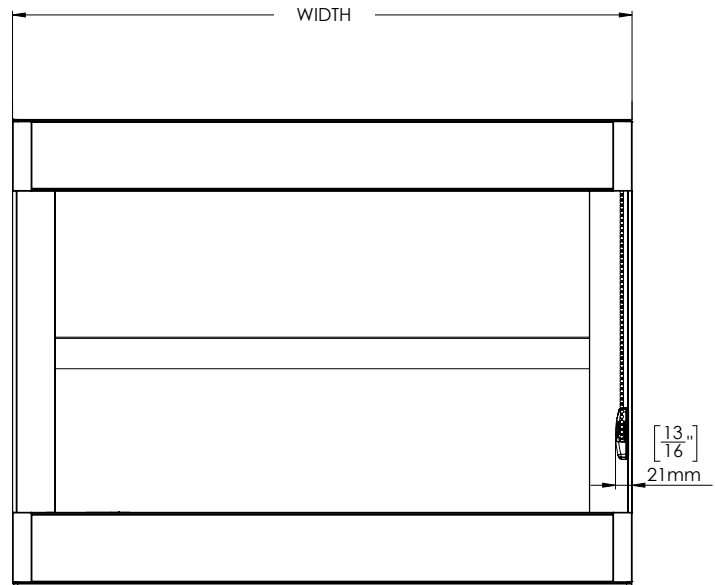
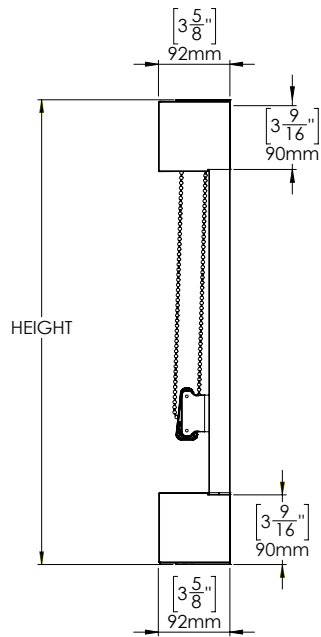
CF90 MAXIMUM ROLL



CF90 ARCHITECTURAL VIEWS (WITHOUT SIDE GUIDES)



CF90 ARCHITECTURAL VIEWS (WITH SIDE GUIDES)



Rollease Acmeda provides a 5 year hardware warranty against defects to the original purchaser (the fabricator/manufacturer).

The hardware warranty is not to be transferred to the end consumer.

The hardware warranty is limited to the repair or resupply of defective hardware components to the fabricator/manufacturer only.

The hardware warranty is applicable to normal use. The hardware warranty when applied to external systems assumes the blinds are not used in strong winds/storms and not left down indefinitely.

The hardware warranty is not applicable for coastal applications unless specified in this manual.

The hardware warranty will not apply where the defect arises due to incorrect assembly and installation.

Retailers are obliged to supply consumers with their own warranty, if required, at the point of purchase.

