

Sonesse® 50 RTS

Star Head and Round Head Motors

506S2 1001809 **506S2RH** 1001806
510S2 1001807 **510S2RH** 1001805



Radio Technology Somfy (RTS) allows for wireless radio control of motorized window coverings via the RTS family of controls.

Technical Features

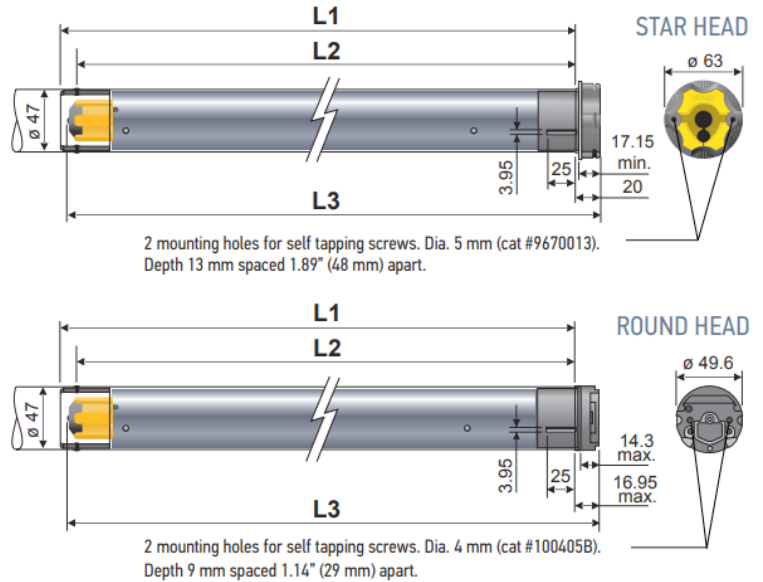
Voltage Supply	120V AC, 60Hz
Index Protection Rating	IP 44 (interior and exterior use)
Limit Switch Type	Electronic RTS
Limit Switch Capacity	250 Turns
Temperature Working Range	-4°F to 158°F (-20°C to 70°C) (interior and exterior use)
Insulation Class	Class 1 for 120V AC
Antenna	Integrated into power cord. Power cord must be at least 12 inches and must not come in contact with metal.
Wiring	Parallel wiring allowed in accordance with NEC and local electrical codes.

Specifications

	506	510
Torque	6 Nm	10 Nm
Nominal Voltage	120V / 60Hz	120V / 60Hz
Rated Current	1.2A	1.67A
Speed	32 rpm	32 rpm
Thermal Protection	4 minutes	4 minutes
Radio Frequency	433.42 MHz	433.42 MHz
*Sound Level	≤ 45 dBA	≤ 47 dBA



Dimensions



Dimensions	506	510
L1	25.7 in. (653 mm)	25.7 in. (653 mm)
L2	25.2 in. (640 mm)	25.2 in. (640 mm)
L3	SH 26.2 in. (666 mm) RH 26.1 in. (663 mm)	SH 26.2 in. (666 mm) RH 26.1 in. (663 mm)
SJTW Power Cable Length	9.8 ft. (3 m)	9.8 ft. (3 m)

Optional cables with NEMA plugs available in 3 ft, 6 ft, 10 ft, 12 ft, 18 ft, 24 ft.

* Sound Level:

According to standards ISO 3741 NF 31022 in dBA ref 1pW at nominal torque without end product.

Fabrication Recommendations:

- Operational noise level is reduced when motor, tube, and mechanical accessories are properly adapted to motorized applications.
- Free play must be minimized between the accessories and the end product tube to ensure quiet performance of the motor.
- Interior Tube Diameter (ID) > 47 mm must be respected.
- A motor crown adaptor between motor and end product tube is required to ensure concentric operation of motor.
- 500 Series Drive Stop and Screw (9910004) is recommended to prevent noise and drive wheel separation from motor shaft. This drive stop screw must be tightened with a torque ranging between 1.5Nm and 1.8Nm.
- Somfy Soft Clip Drive Wheel Adaptors (brown in color) are not recommended.

Type of power cable

