

**Rollease Acmeda Cordless Spring System / Easy Spring Plus (Optional)**

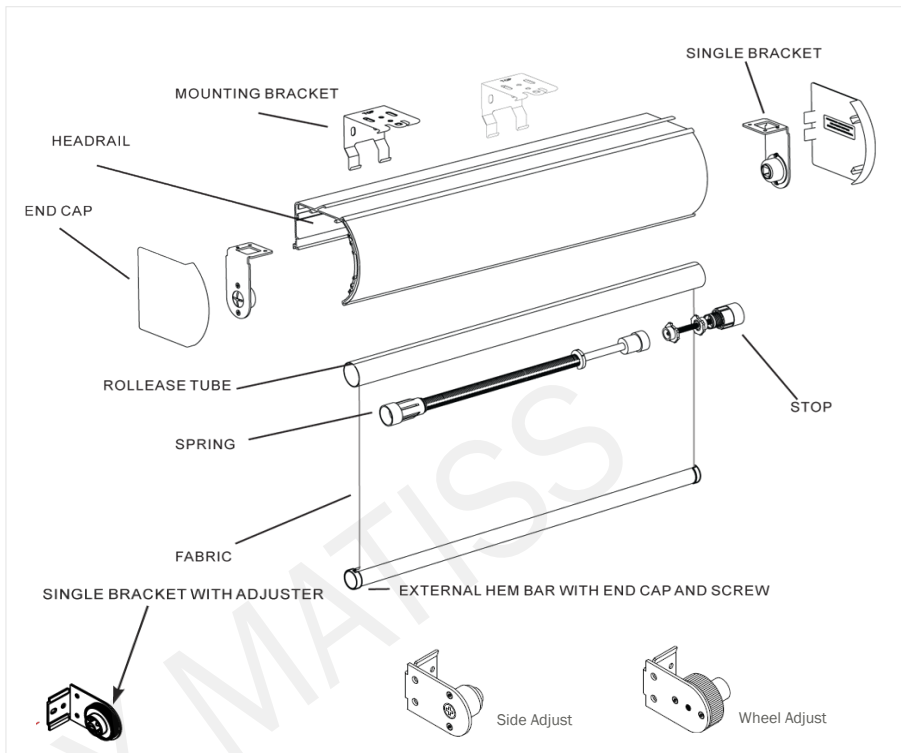
CORDLESS ROLLER SHADE SPECIFICATION

**Cassette 100, 120 Single shade with Side & Wheel Adjust**

Wheel adjust system comes standard  
 Minimum Width Standard Shade.....18"  
 Minimum Width Shade with Cassette 120..... 19"  
 Maximum Width Shade.....96"  
 Maximum Height.....96"

Standard Factory Deductions (Side Adjust)  
 IB Headrail Width.....Ordered width less 1/8"  
 IB Fabric Width.....Ordered width less 1"  
 OB Headrail Width.....Ordered width  
 OB Fabric Width.....Ordered width less 7/8"  
 Cloth Headrail Width.....Ordered width plus 7/8"  
 Cloth Fabric Width.....Ordered width

Standard Factory Deductions (Wheel Adjust)  
 IB Headrail Width.....Ordered width less 1/8"  
 IB Fabric Width.....Ordered width less 2"  
 OB Headrail Width.....Ordered width  
 OB Fabric Width.....Ordered width less 1 7/8"  
 Cloth Headrail Width.....Ordered width plus 1 7/8"  
 Cloth Fabric Width.....Ordered width  
 1 1/2" tube uses  
 Bracket width.....1 1/2"  
 Projection.....2 3/4"

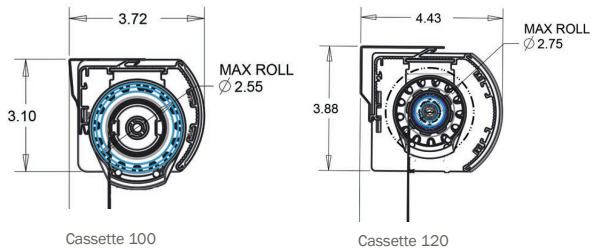
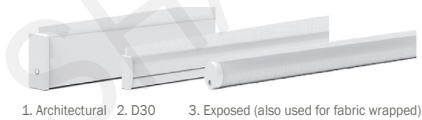
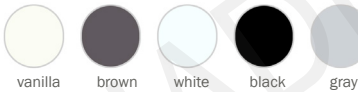


**Fabric Deduction Chart**

Clutch	Cassette	Inside Mount	Outside Mount
Easy Spring Plus w/adjustment wheel + 1.5" Tube	Cassette 80/100/120	-1.875"	-1.75"
Easy Spring Plus __w/o adjustment wheel + 1.5" Tube	Cassette 80/100/120	-1"	-0.875"

cassette, external hembar, end cap color finishes:  
 white, vanilla, gray, brown, black  
 Architectural hembar white and gray only  
 D30 hembar color: white, gray, black

**Hardware Colors**



**HOW TO PRICE**

Refer to Roller Shades Fabric Listings page for proper fabric price chart numbers.

Base prices are shown on Price Charts 1 to 6. Add Easy Spring Plus Cordless shade surcharge to base price (see page 93). Add appropriate width cassette surcharges.

Note! All Base prices are based on ordered dimensions, not finished dimensions of fabric.

