



SKYLINE FASCIA - 3&4 inch Chain Control

PRODUCT SPECIFICATIONS



CONTENTS

SECTION A OVERVIEW	01
GENERAL SCHEMATICS	01
SYSTEM OPTIONS	02
COLOR OPTIONS ..	02
SECTION B SPECIFICATION IMAGES	03
ARCHITECTURAL VIEWS	03
MAXIMUM ROLL DIAMETERS	04
FASCIA DEDUCTIONS + NOTCH	04
DEDUCTIONS	05
SECTION C ASSEMBLY & INSTALLATION	06
3" FASCIA - SKYLINE	06
4" FASCIA - SKYLINE	07

DISCLAIMER

INTRODUCTION

This Product Specifications manual for Skyline 3&4" Fascia has been produced by Rollease Acmeda to supply the necessary information for the safe and correct installation of Skyline 3&4" Fascia.

DISCLAIMER

Rollease Acmeda has used reasonable care in preparing the information included in this document, but makes no representations or warranties as to the completeness or accuracy of the information. Information is supplied upon the condition that the persons receiving the information will make their own determination as to its suitability for their purposes prior to use. Rollease Acmeda assumes no liability whatsoever for any damages incurred by you resulting from errors in or omissions from the information included herein. Rollease Acmeda reserves the right to make changes without further notice to any products to improve reliability, function or design.

COPYRIGHT

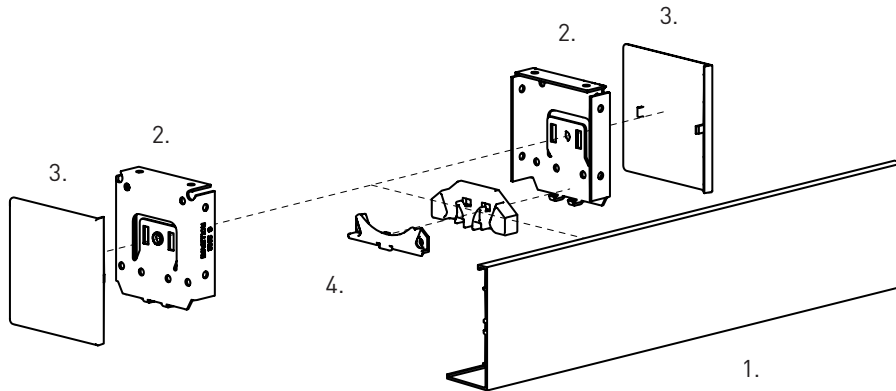
COPYRIGHT © ROLLEASE ACMEDA

All rights are reserved. No part of this document may be reproduced or utilised in any means, by any means, electronic or mechanical including photocopying, recordings, or by any information storage or retrieval system, without the express permission from Rollease Acmeda.



GENERAL SCHEMATICS

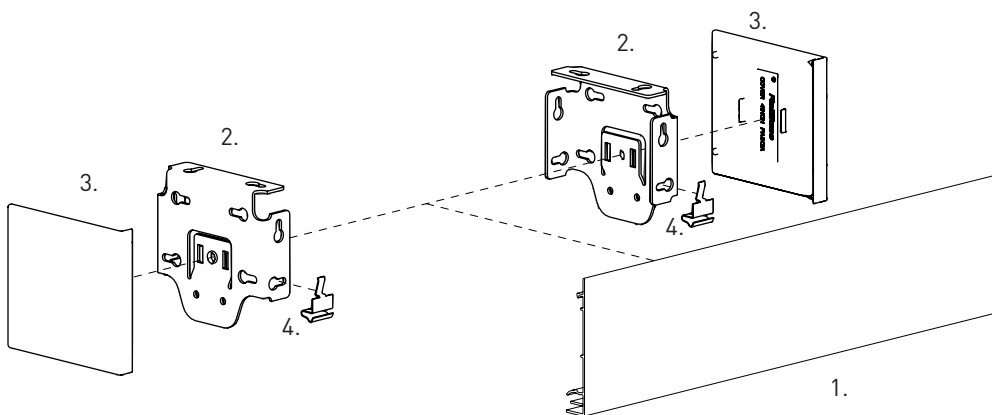
3" FASCIA



SYSTEM INDEX:

1. 3" Skyline Square Fascia
2. 3" Skyline Fascia Bracket
3. 3" Skyline Square End Cap
4. Chain Diverter & Cover Set

4" FASCIA



SYSTEM INDEX:

1. 4" Skyline Square Fascia
2. 4" Skyline Fascia Bracket
3. 4" Skyline Bracket Cover
4. Skyline Bracket Clip



SYSTEM OPTIONS

CONTROL OPTIONS



COLOR OPTIONS



WHITE



VANILLA



ANODISED



BLACK

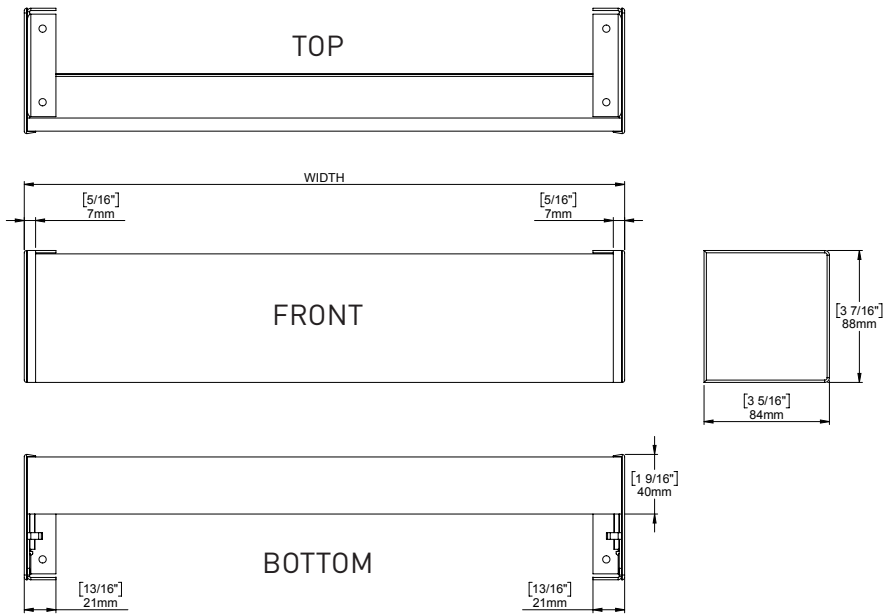


BRONZE

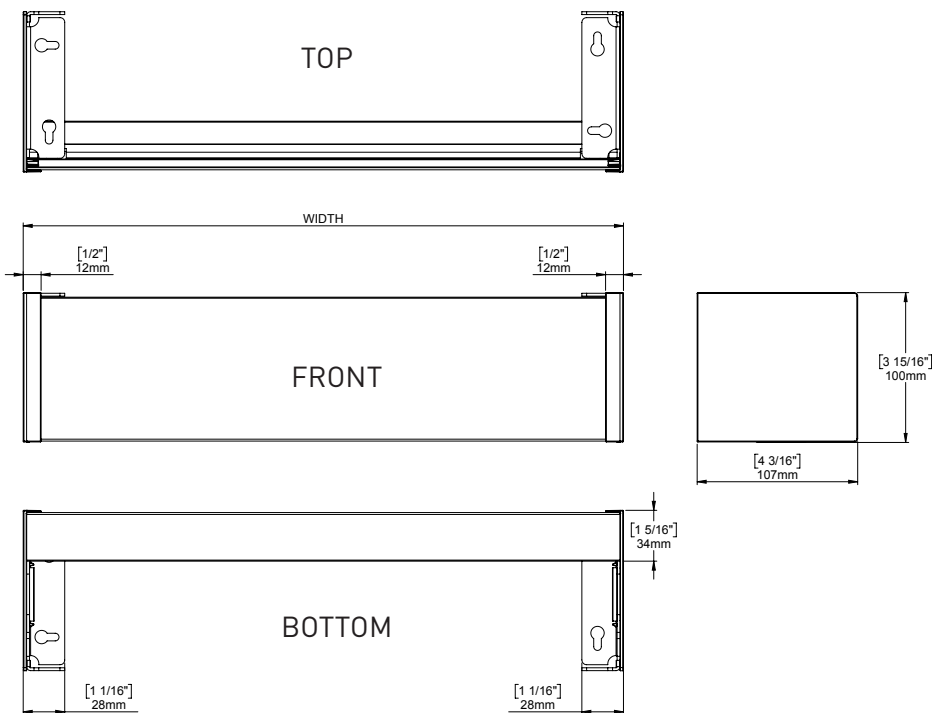


ARCHITECTURAL VIEWS

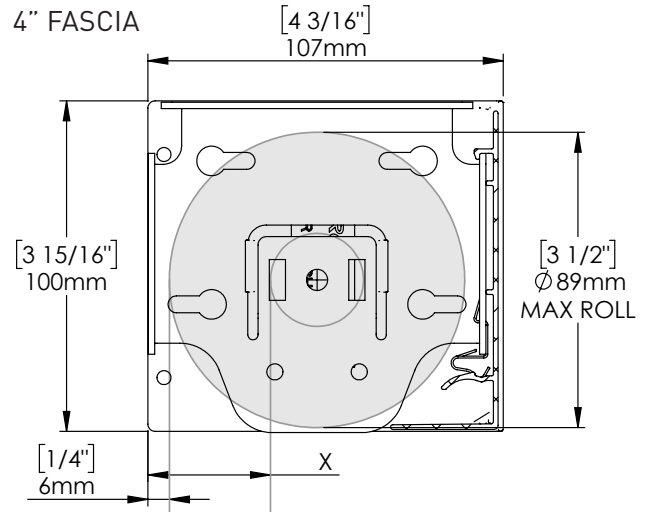
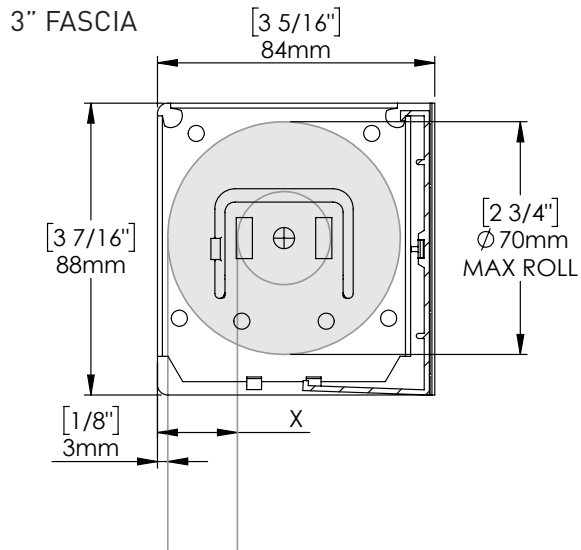
3" FASCIA



4" FASCIA



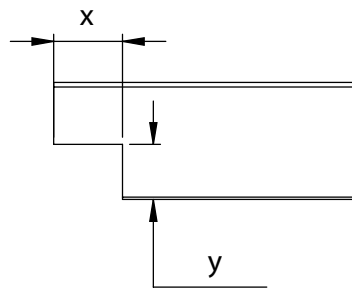
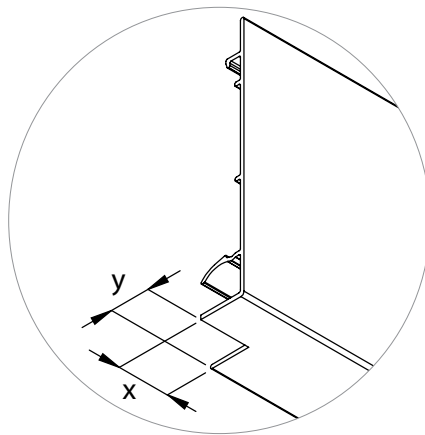
MAXIMUM ROLL DIAMETERS



System	Tube	Max Distance from back of bracket X
3"	1-1/8"	24mm [15/16"]
	1-1/4"	22mm [7/8"]
	1-1/2"	19mm [3/4"]
	2"	13mm [1/2"]

System	Tube	Max Distance from back of bracket X
4"	1-1/8"	37mm [1-7/16"]
	1-1/4"	35mm [1-3/8"]
	1-1/2"	32mm [1-1/4"]
	2"	26mm [1"]
	2-1/2"	19mm [3/4"]

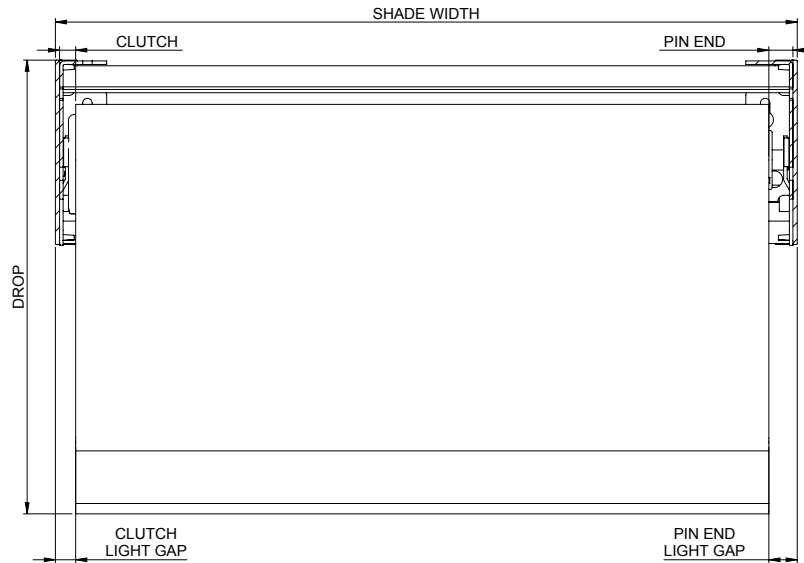
FASCIA DEDUCTIONS + NOTCH



CONFIGURATION	NOTCH DIMENSIONS		FASCIA DEDUCTIONS	
	x	y	With Bracket Covers	Without Bracket Covers
3" FASCIA PANEL FOR ALL CLUTCHES	-	-	Shade Width - 4mm [0.16"]	Shade Width
4" FASCIA PANEL FOR SL15 CLUTCH	-	-		
4" FASCIA PANEL FOR SL20 CLUTCH	-	-		
4" FASCIA PANEL FOR G200 CLUTCH	-	-		
4" FASCIA PANEL FOR SL30 CLUTCH	20mm [3/4"]	16mm [5/8"]		
4" FASCIA PANEL FOR G400 CLUTCH	20mm [3/4"]	16mm [5/8"]		



DEDUCTIONS

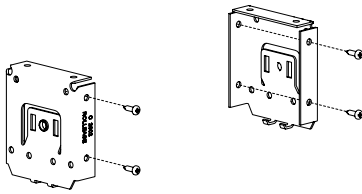


System	Tube	Clutch	Brackets	Pin End	Adapter	Chain Diverter	Tube Deduction		Light Gap with Bracket Covers*		
							With Bracket Covers	Without Bracket Covers	Control Side	Pin End Side	
3"	1-1/8"	SL10	SLFBKT3xx	SLPEV01xx	-	SL15CDCVR	32mm [1.26"]	28mm [1.10"]	17mm [0.67"]	15mm [0.59"]	
	1-1/4"	SL10		SLPEV03xx	SLA03xx	SL15CDCVR					
	1-1/2"	SL10		SLPEV53xx	SLA53xx	SL15CDCVR					
	1-1/8"	SL15		SLPEV01xx	-	SL15CDCVR					
	1-1/4"	SL15		SLPEV03xx	SLA03xx	SL15CDCVR					
	1-1/2"	SL15		SLPEV53xx	SLA53xx	SL15CDCVR					
	1-1/2"	SL20		SLPEV53xx	-	SLCDxx	34mm [1.33"]	30mm [1.17"]	19mm [0.74"]		
	2"	SL20		SLPEV53xx	RA2xx	SLCDxx					
	1-1/2"	G200		SLPEVHD53xx	-	SLCDxx	37mm [1.47"]	33mm [1.31"]	21mm [0.84"]		16mm [0.63"]
	2"	G200		SLPEVHD53xx	RA2xx	SLCDxx					
4"	1-1/8"	SL15	SLFBKT4xx	SLPEV01xx	-	-	33mm [1.28"]	28mm [1.10"]	18mm [0.69"]	15mm [0.59"]	
	1-1/4"	SL15		SLPEV03xx	SLA03xx						
	1-1/2"	SL15		SLPEV653xx	SLA53xx						
	1-1/2"	SL20		SLPEV653xx	-		35mm [1.35"]	30mm [1.17"]	20mm [0.76"]		15mm [0.59"]
	2"	SL20		SLPEV653xx	RA2xx		36mm [1.40"]	31mm [1.22"]	21mm [0.81"]		15mm [0.59"]
	1-1/2"	SL30		SLPEV653xx	-		37mm [1.46"]	32mm [1.25"]	21mm [0.84"]		16mm [0.62"]
	2"	SL30		SLPEV653xx	RA2xx		38mm [1.49"]	34mm [1.31"]	22mm [0.87"]		16mm [0.62"]
	2-1/2"	SL30		SLPEV653xx	RA25xx		37mm [1.43"]	32mm [1.25"]	21mm [0.81"]		16mm [0.62"]
	1-1/2"	G200		SLPEHD653xx	-						
	2"	G200		SLPEHD653xx	RA2xx						
	1-1/2"	G400		SLPEHD653xx	-						
	2"	G400		SLPEHD653xx	RA2xx						
	2-1/2"	G400		SLPEHD653xx	RA2xx						
NOTES	*For 3" Systems - Deduct 2mm [0.08"] from each side to for Light Gap "without bracket covers" value										
	*For 4" Systems - Deduct 3mm [0.09"] from each side to for Light Gap "without bracket covers" value										

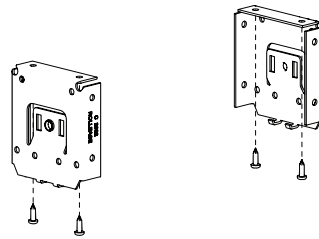


3" FASCIA - SKYLINE

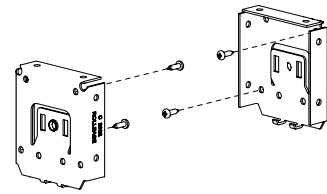
Wall Mount



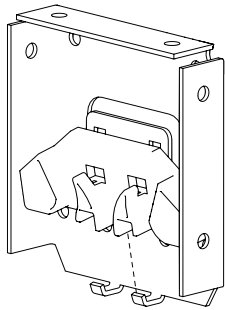
Ceiling Mount



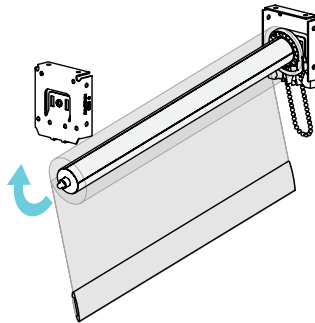
Inside Mount



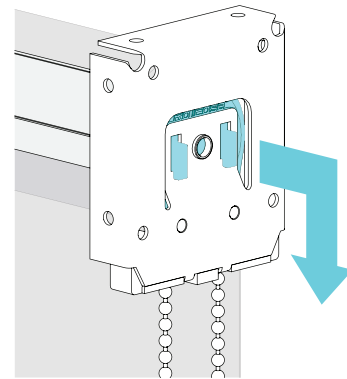
Attach Chain Diverter



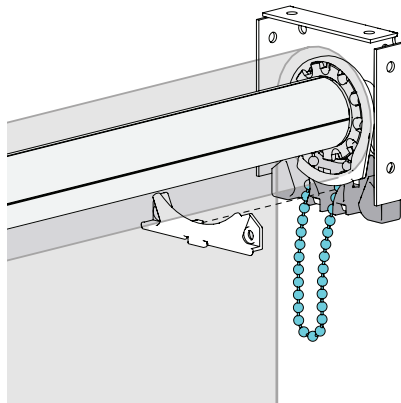
Align Clutch end first, swing assembly to bracket



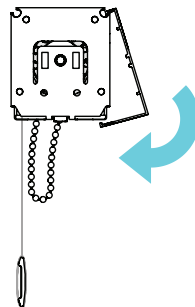
Ensure Clutch Hooks engage Bracket



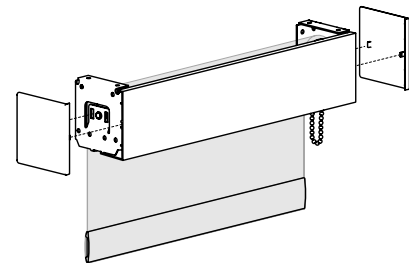
Attach Chain Diverter Cover
Ensure chain aligns with Diverter



Attach Fascia Cover. Swing from top

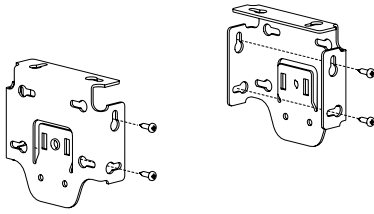


Attach Bracket Covers

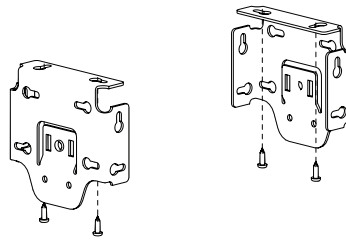


4" FASCIA - SKYLINE

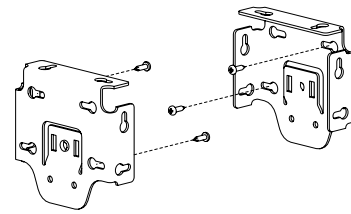
Wall Mount



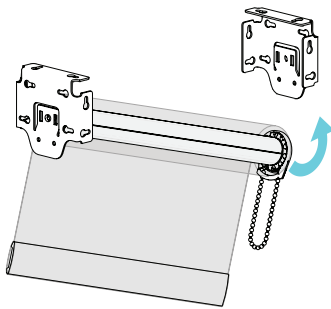
Ceiling Mount



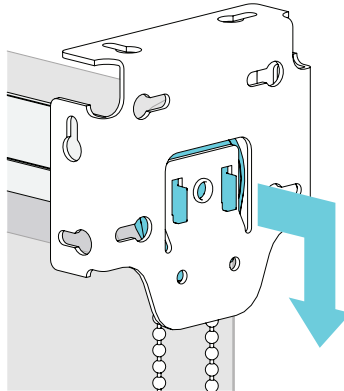
Inside Mount



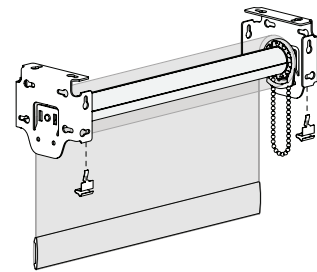
Compress Idler, swing assembly to bracket



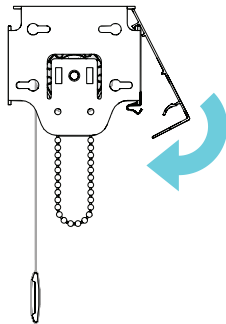
Ensure Clutch Hooks engage Bracket



Attach Bracket Clip



Attach Fascia Cover. Swing from top



Attach Bracket Covers

