

VEUE SUITE

Rollease Acmeda offers a comprehensive outdoor shading suite with Veue Drop Awnings. The Veue suite comprises Wire Guide, Channel Guide, Straight Drop and Pivot Arm systems. Veue is also cross-compatible with the popular Zipscreen.

AESTHETIC FEATURES

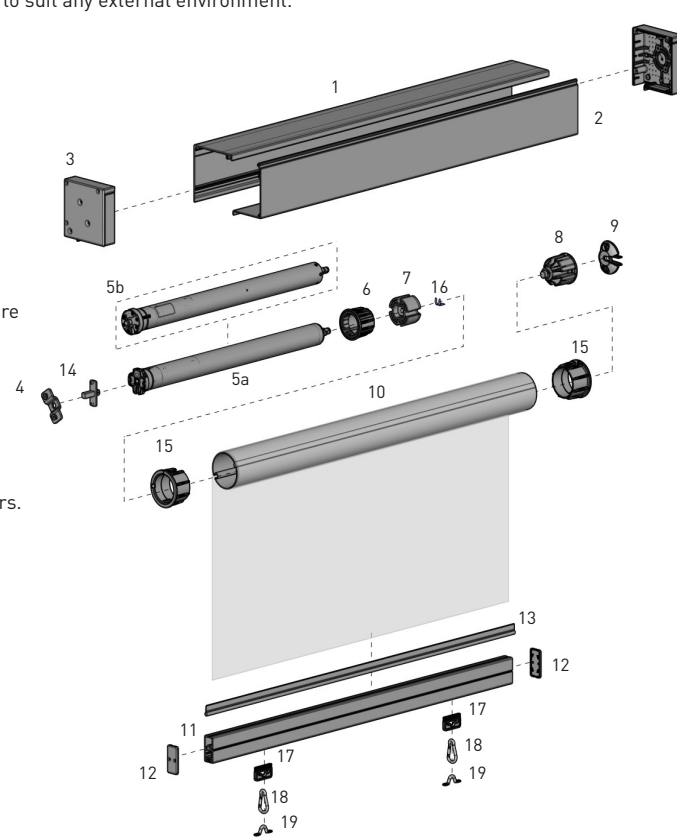
- Maintains consistent aesthetic across 4 solutions to suit a variety of applications.
- Wide range of standard colours and ability to custom powder-coat extrusions to suit any external environment.
- Choice of open or enclosed roller.
- Sleek and contemporary square cassette box.
- Clean, architectural look.

ASSEMBLY / INSTALLATION BENEFITS

- One piece weight bar in standard and heavy weights for easier assembly.
- Two piece cassette box for easy installation.
- Choice of 63 & 78 aluminium and steel tubes.
- One reducer, a combined booster and pre tension idler means less inventory.
- End plates overlap the edges of the front and back covers to hide cutting imperfections.
- Hinges are located on the end plates for easy headbox installation.
- Veue Drop Awnings are modular. Utilise common components across the entire suite, including Zipscreen

FUNCTIONAL BENEFITS

- A semi-fascia is now available, in addition to a fully-enclosed box or open bracket solution offering multiple headbox configurations.
- Exterior grade powder coated finish.
- The stronger F56 weight bar offers more rigidity over wider spans.
- Choice of weight bar bubble or weather seal strip to close gap on uneven floors.
- An all-inclusive end plate set means that cover caps are no longer required. The universal end plate set comes with a pre-notched section that can be 'snapped-off' to accommodate all control options.



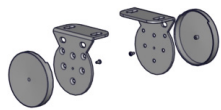
SYSTEM INDEX - VEUE STRAIGHT DROP

1	Box 120 Back
	RE01-0101-xxx580
2	Box 120 Cover
	RE01-0102-xxx580 - FULL
	RE01-0103-xxx580 - FASCIA
3	Box 120 End Plate Set
	RE01-1101-xxx120
4	M50 Motor Bracket + Screws - Universal Motors
	RE01-0601-025000
5	Automate FT Electronic Limit Motor
	a. MT01-1145-06900X - US
	b. MT01-1145-050001 - AU
6	Automate Crown Wheel/Somfy
	RE01-0663-050518
7	Automate Drive Wheel 78mm
	RE01-0680-050518 - IMPACT DETECTION
	RE01-0679-050508 - NO IMPACT DETECTION
8	Bearing Idler
	RE01-0203-050063
9	Idler/Spring Adaptor
	RE01-0204-xxx000
10	Tube
	SEE TUBE SPECS ON REVERSE
11	F56 Weight Bar
	RE15-0101-000580
12	F56 Weight Bar End Cap Set
	SEE SYSTEM ASSEMBLY MANUAL
13	7.2mm Spline w/15mm Tail
	SB91-0408-001015
14	Automate 10mm Square Shaft + Screws SLIM Motor
	RE01-0603-025000 - US ONLY
15	Tube Adaptor 78mm
	RE01-0701-xxx078
16	Automate Drive Wheel CLIP for FT Motor
	MTCLIP-35-45 - US ONLY
17	25mm Straight Drop Loop
	RE91-1102-050025
18	Straight Drop Spring Clip - 50mm
	RE91-1103-009050
19	Straight Drop Pad Eye Saddle - 30mm
	RE91-1104-013030

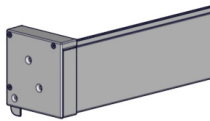
xxx= colour

SYSTEM OPTIONS

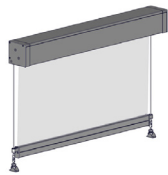
OPEN BRACKETS



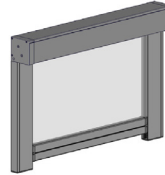
FASCIA



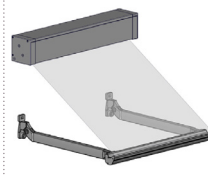
WIRE GUIDE*



CHANNEL*



PIVOT ARM*



CONTROL OPTIONS

MOTORIZED



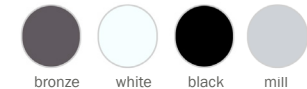
CRANK GEAR



SPRING



Hardware Colors

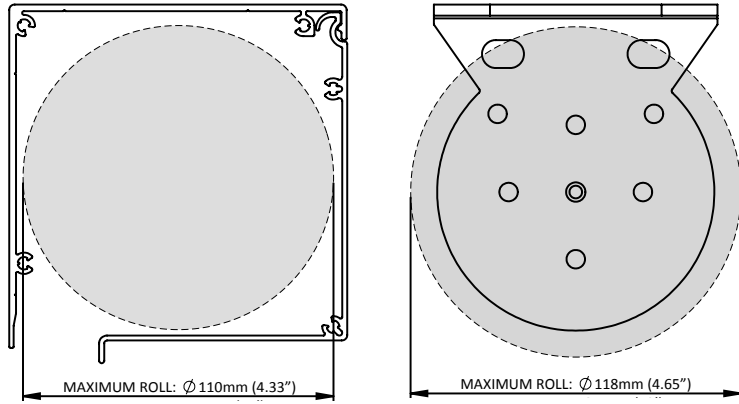


*SEE SYSTEM ASSEMBLY MANUAL FOR DETAILED SYSTEM INDEX

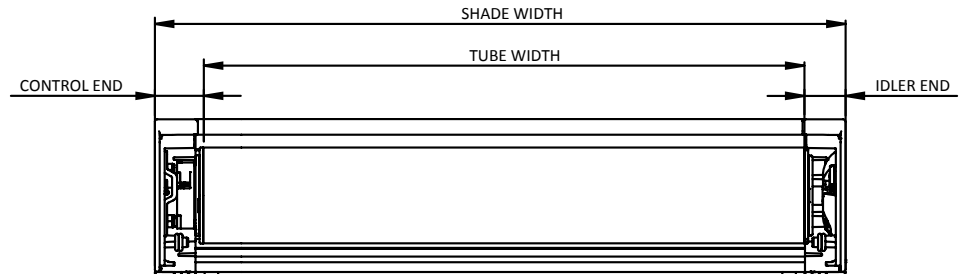


SPECIFICATIONS

MAX ROLL



DEDUCTION



OVERALL DEDUCTION	
BOX	66mm [2.6"]
OPEN	80mm [3.15"]*

*For Face Fix Installations without covers take 18mm [0.71"] off.

SYSTEM CAPACITY

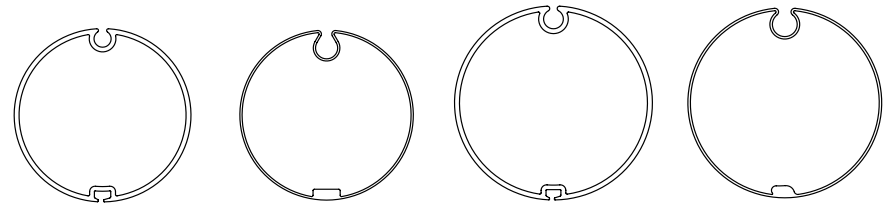
DROP		WIDTH															ft			
		3	4	5	6	7	8	9	10	11	12	13	14	15	16					
ft	m	0.75	1.00	1.25	1.50	1.75	2.00	2.25	2.50	2.75	3.00	3.25	3.50	3.75	4.00	4.25	4.50	4.75	5.00	m
3	0.75																			
3	1.00																			
4	1.25																			
5	1.50																			
6	1.75																			
7	2.00																			
8	2.25																			
8	2.50																			
9	2.75																			
10	3.00																			
11	3.25																			
11	3.50																			
12	3.75																			
13	4.00																			

Parameters: 573gsm [16.90 oz/yd²] Fabric, F56 Weight Bar

CONTROL	TUBE
SPRING GEAR MOTOR	63mm 78mm
	78mm
	ABOVE OPTIMUM PERFORMANCE FOR 78mm

SPRING - Minimum Shade Width = 0.8m (3ft) | GEAR - Minimum Shade Width = 0.5m (2ft) | MOTOR - Minimum Shade Width = 0.8m (3ft)

TUBE SPECS



ALUMINUM TUBE 63mm

Code: RE01-0363-000580
OD: 63mm [2.56"]
Length: 5.8m [19ft]

STEEL TUBE 63mm

*NOT COMPATIBLE WITH MOTOR
Code: RE01-0364-000580
OD: 62mm [2.44"]
Length: 5.8m [19ft]

ALUMINUM TUBE 78mm

Code: RE01-0378-000580
OD: 80mm [3.15"]
Length: 5.8m [19ft]

STEEL TUBE 78mm

Code: AW92-0901-000LLL
OD: 78mm [3.07"]
Length: 5m [16ft], 7m [23ft]

