

VEUE SUITE

Rollease Acmeda offers a comprehensive outdoor shading suite with Veue Drop Awnings. The Veue suite comprises Wire Guide, Channel Guide, Straight Drop and Pivot Arm systems. Veue is also cross-compatible with the popular Zipscreen.

AESTHETIC FEATURES

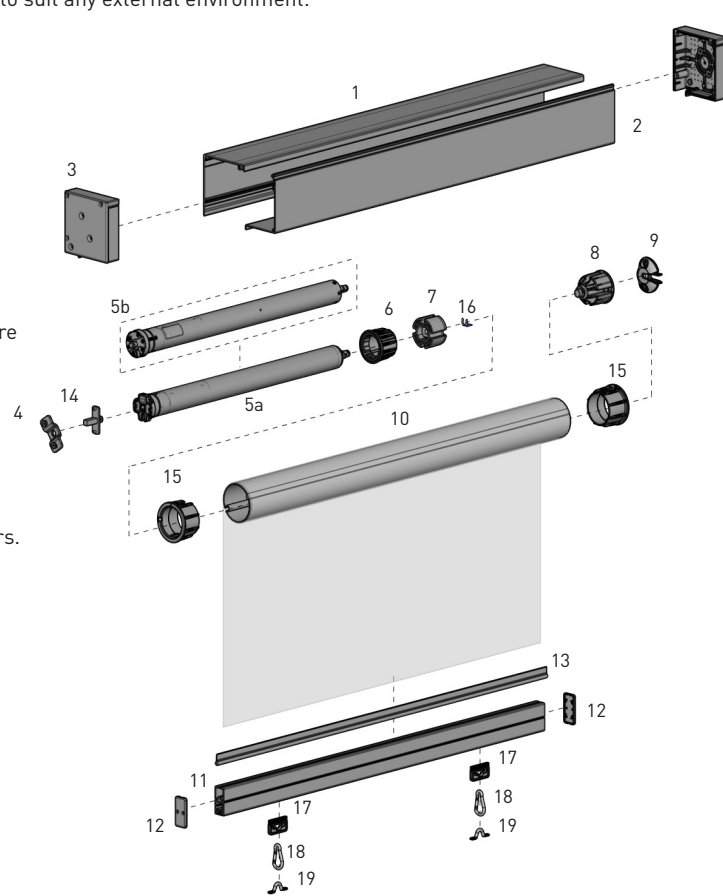
- Maintains consistent aesthetic across 4 solutions to suit a variety of applications.
- Wide range of standard colours and ability to custom powder-coat extrusions to suit any external environment.
- Choice of open or enclosed roller.
- Sleek and contemporary square cassette box.
- Clean, architectural look.

ASSEMBLY / INSTALLATION BENEFITS

- One piece weight bar in standard and heavy weights for easier assembly.
- Two piece cassette box for easy installation.
- Choice of 63 & 78 aluminium and steel tubes.
- One reducer, a combined booster and pre tension idler means less inventory.
- End plates overlap the edges of the front and back covers to hide cutting imperfections.
- Hinges are located on the end plates for easy headbox installation.
- Veue Drop Awnings are modular. Utilise common components across the entire suite, including Zipscreen

FUNCTIONAL BENEFITS

- A semi-fascia is now available, in addition to a fully-enclosed box or open bracket solution offering multiple headbox configurations.
- Exterior grade powder coated finish.
- The stronger F56 weight bar offers more rigidity over wider spans.
- Choice of weight bar bubble or weather seal strip to close gap on uneven floors.
- An all-inclusive end plate set means that cover caps are no longer required. The universal end plate set comes with a pre-notched section that can be 'snapped-off' to accommodate all control options.



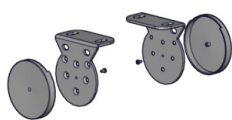
SYSTEM INDEX - VEUE STRAIGHT DROP

1	Box 120 Back RE01-0101-xxx580
2	Box 120 Cover RE01-0102-xxx580 - FULL RE01-0103-xxx580 - FASCIA
3	Box 120 End Plate Set RE01-1101-xxx120
4	M50 Motor Bracket + Screws - Universal Motors RE01-0601-025000
5	Automate FT Electronic Limit Motor a. MT01-1145-06900X - US b. MT01-1145-050001 - AU
6	Automate Crown Wheel/Somfy RE01-0663-050518
7	Automate Drive Wheel 78mm RE01-0680-050518 - IMPACT DETECTION RE01-0679-050508 - NO IMPACT DETECTION
8	Bearing Idler RE01-0203-050063
9	Idler/Spring Adaptor RE01-0204-xxx000
10	Tube SEE TUBE SPECS ON REVERSE
11	F56 Weight Bar RE15-0101-000580
12	F56 Weight Bar End Cap Set SEE SYSTEM ASSEMBLY MANUAL
13	7.2mm Spline w/15mm Tail SB91-0408-001015
14	Automate I 10mm Square Shaft + Screws I SLIM Motor RE01-0603-025000 - US ONLY
15	Tube Adaptor I 78mm RE01-0701-xxx078
16	Automate I Drive Wheel CLIP for FT Motor MTCLIP-35-45 - US ONLY
17	25mm Straight Drop Loop RE91-1102-050025
18	Straight Drop Spring Clip - 50mm RE91-1103-009050
19	Straight Drop Pad Eye Saddle - 30mm RE91-1104-013030

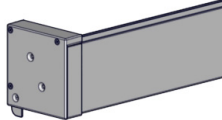
xxx= colour

SYSTEM OPTIONS

OPEN BRACKETS

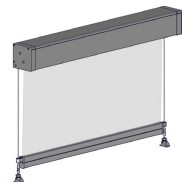


FASCIA

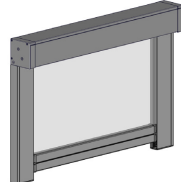


SYSTEM UPGRADES

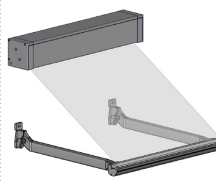
WIRE GUIDE*



CHANNEL*



PIVOT ARM*



CONTROL OPTIONS

MOTORIZED



CRANK GEAR



SPRING



COLOUR RANGE

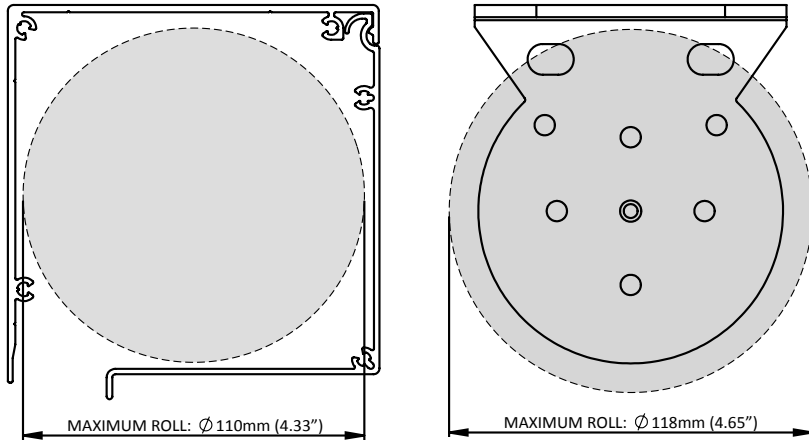
pure white 069	black 050	AU ONLY anodized 020	US ONLY bronze 080	paperbark 425
woodland grey 352	AU ONLY classic cream 295			



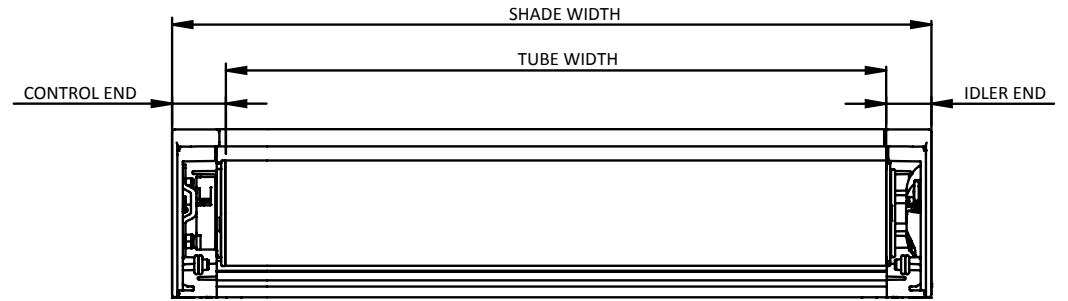
*SEE SYSTEM ASSEMBLY MANUAL FOR DETAILED SYSTEM INDEX

SPECIFICATIONS

MAX ROLL



DEDUCTION



OVERALL DEDUCTION	
BOX	66mm [2.6"]
OPEN	80mm [3.15"]*

*For Face Fix Installations without covers take 18mm [0.71"] off.

SYSTEM CAPACITY

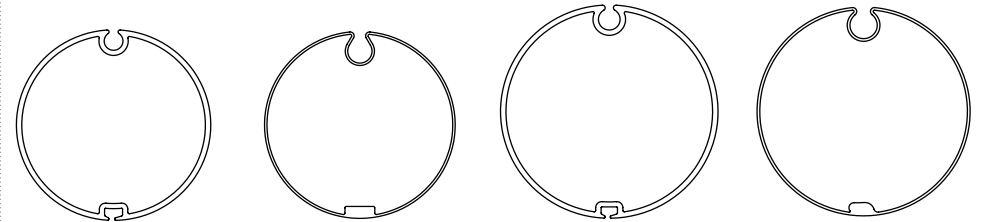
DROP	WIDTH																ft		
	0.75	1.00	1.25	1.50	1.75	2.00	2.25	2.50	2.75	3.00	3.25	3.50	3.75	4.00	4.25	4.50		4.75	5.00
ft	m																		m
3	0.75																		
4	1.00																		
5	1.25																		
6	1.50																		
7	1.75																		
8	2.00																		
9	2.25																		
10	2.50																		
11	2.75																		
12	3.00																		
13	3.25																		
14	3.50																		
15	3.75																		
16	4.00																		

Parameters: 573gsm [16.90 oz/yd²] Fabric, F56 Weight Bar

CONTROL	TUBE
SPRING GEAR MOTOR	63mm 78mm
	78mm
	ABOVE OPTIMUM PERFORMANCE FOR 78mm

SPRING - Minimum Shade Width = 0.8m [3ft] || GEAR - Minimum Shade Width = 0.5m [2ft] || MOTOR - Minimum Shade Width = 0.8m [3ft]

TUBE SPECS



ALUMINUM TUBE 63mm

Code: RE01-0363-000580
OD: 63mm [2.56"]
Length: 5.8m [19ft]

STEEL TUBE 63mm

*NOT COMPATIBLE WITH MOTOR

Code: RE01-0364-000580
OD: 62mm [2.44"]
Length: 5.8m [19ft]

ALUMINUM TUBE 78mm

Code: RE01-0378-000580
OD: 80mm [3.15"]
Length: 5.8m [19ft]

STEEL TUBE 78mm

Code: AW92-0901-000LLL
OD: 78mm [3.07"]
Length: 5m [16ft], 7m [23ft]