



ZIPSCREEN-SKYLIGHT

INSTALLATION MANUAL

November 2018



www.shadesbymatiss.com | T. 800 493 2040 | email: info@shadesbymatiss.com



CONTENTS

SECTION A: | ITEMS REQUIRED

ASSEMBLED PARTS

01

01

SECTION B: | INSTALLATION

INSTALL BOXES

02

INSTALL SIDE CHANNELS

02

INSTALLING FABRIC/SPRING TUBE INTO BOX

03

ZIPSCREEN | 60MM TUBE

04

ZIPSCREEN | 80MM TUBE

05

INSTALLING MOTOR/SPOOL TUBE INTO BOX

06

INSTALLING INNER RAILS

07

ATTACHING PULL TAPE

09

DISCLAIMER

INTRODUCTION

This Installation manual for Zipscreen Skylight has been produced by Rollease Acmeda to supply the necessary information for the safe and correct installation of Zipscreen Skylight.

DISCLAIMER

Rollease Acmeda has used reasonable care in preparing the information included in this document, but makes no representations or warranties as to the completeness or accuracy of the information. Information is supplied upon the condition that the persons receiving the information will make their own determination as to its suitability for their purposes prior to use. Rollease Acmeda assumes no liability whatsoever for any damages incurred by you resulting from errors in or omissions from the information included herein. Rollease Acmeda reserves the right to make changes without further notice to any products to improve reliability, function or design.

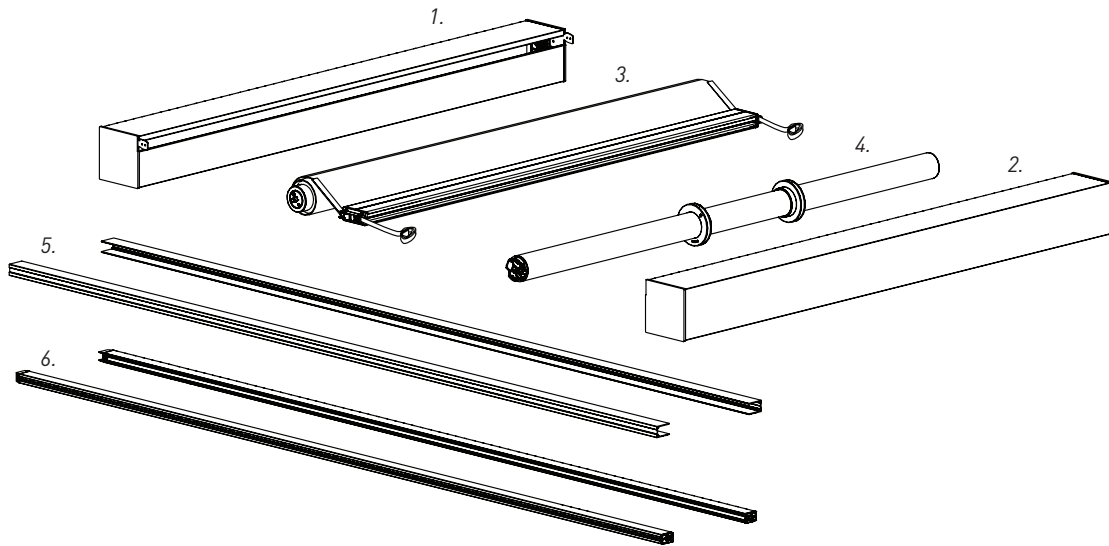
COPYRIGHT

COPYRIGHT © ROLLEASE ACMEDA

All rights are reserved. No part of this document may be reproduced or utilised in any means, by any means, electronic or mechanical including photocopying, recordings, or by any information storage or retrieval system, without the express permission from Rollease Acmeda.



ASSEMBLED PARTS



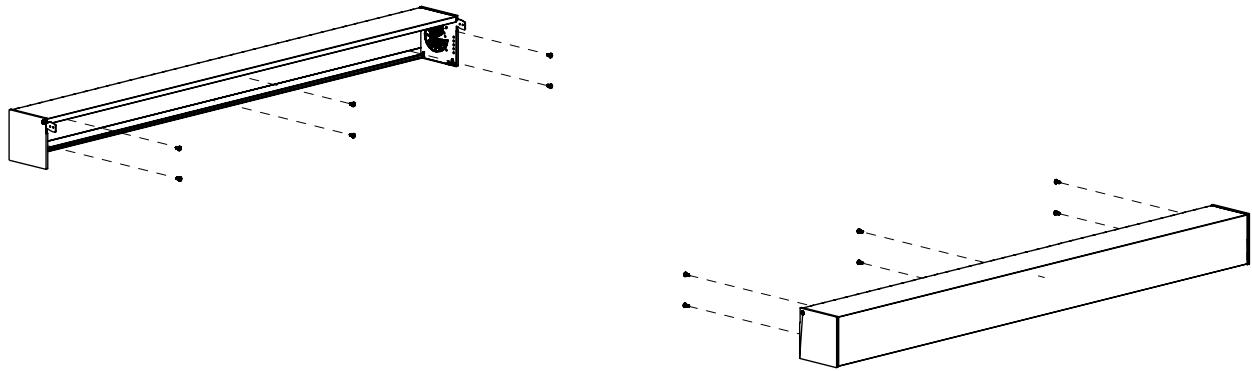
SYSTEM INDEX:

1. Spring/Fabric Box
2. Motor/Spool Box
3. Spring/Fabric Tube
4. Motor/Spool Tube
5. U Channel
6. Inner Rails w/ Funnel End Caps



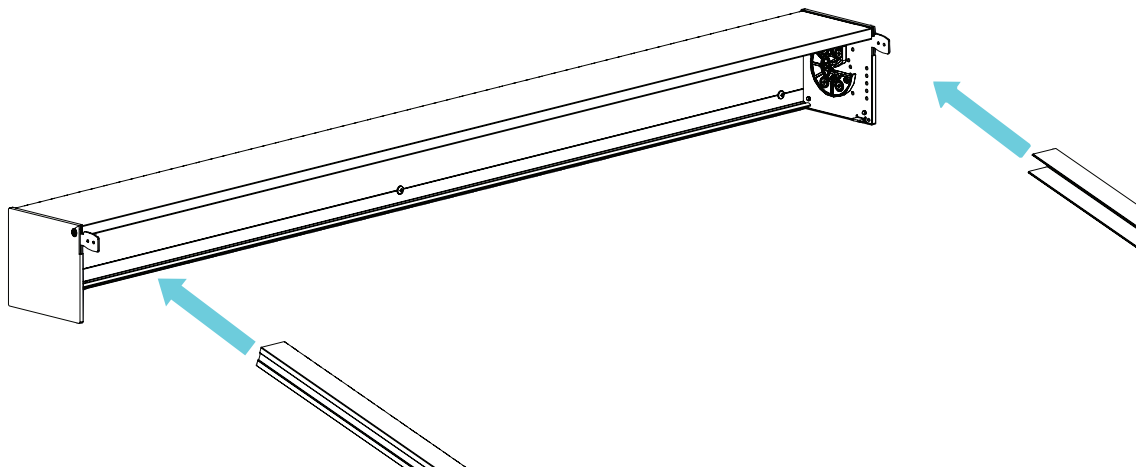
INSTALL BOXES

STEP 1. FIX BOXES RELATIVE TO INSTALLATION SPACE




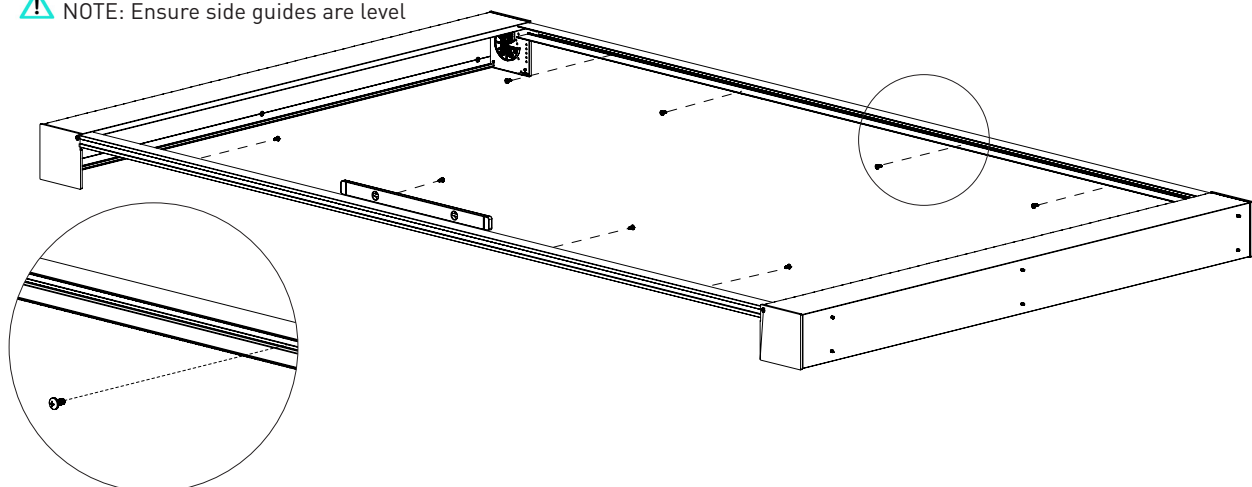
INSTALL SIDE CHANNELS

STEP 1. SLIDE U-CHANNEL ONTO BOX EARS



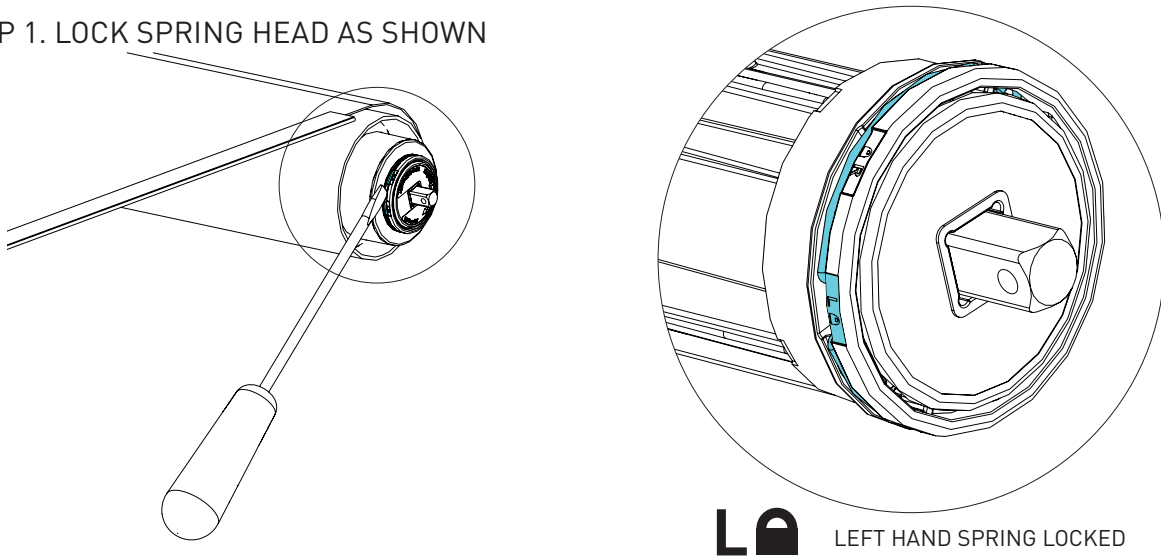
STEP 2. LEVEL U-CHANNEL AND FIX ALONG LENGTH

 NOTE: Ensure side guides are level



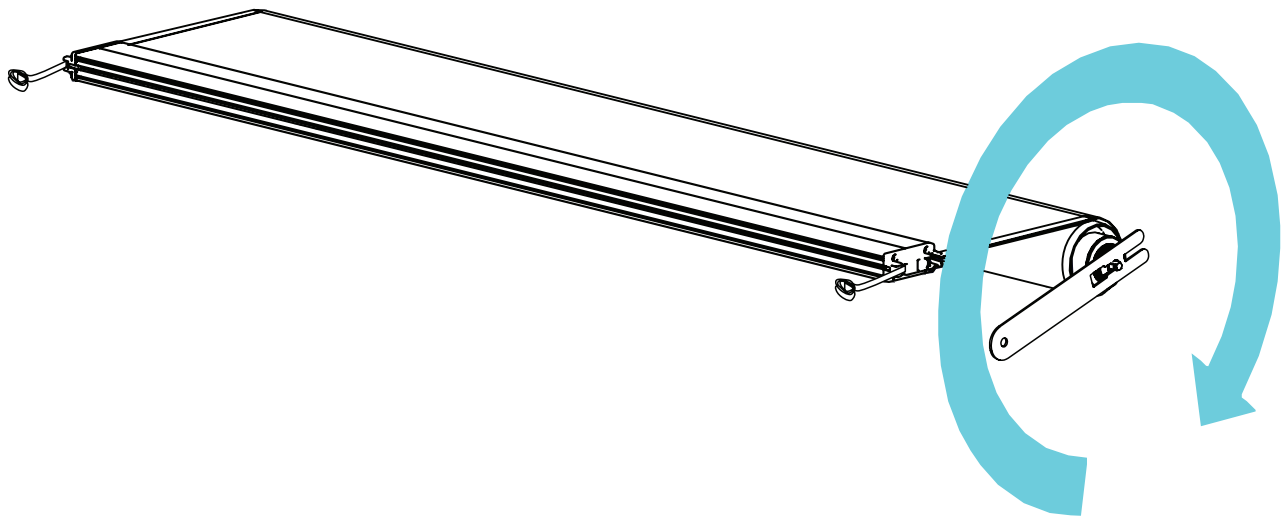
INSTALLING FABRIC/SPRING TUBE INTO BOX

STEP 1. LOCK SPRING HEAD AS SHOWN



STEP 2. ADD PRE-TURNS

NOTE: Count pre-turns when you hear audible clicks



Pre-Turn Spanner available through Rollease Acmeda
Order Part #: RB10-9102-025008

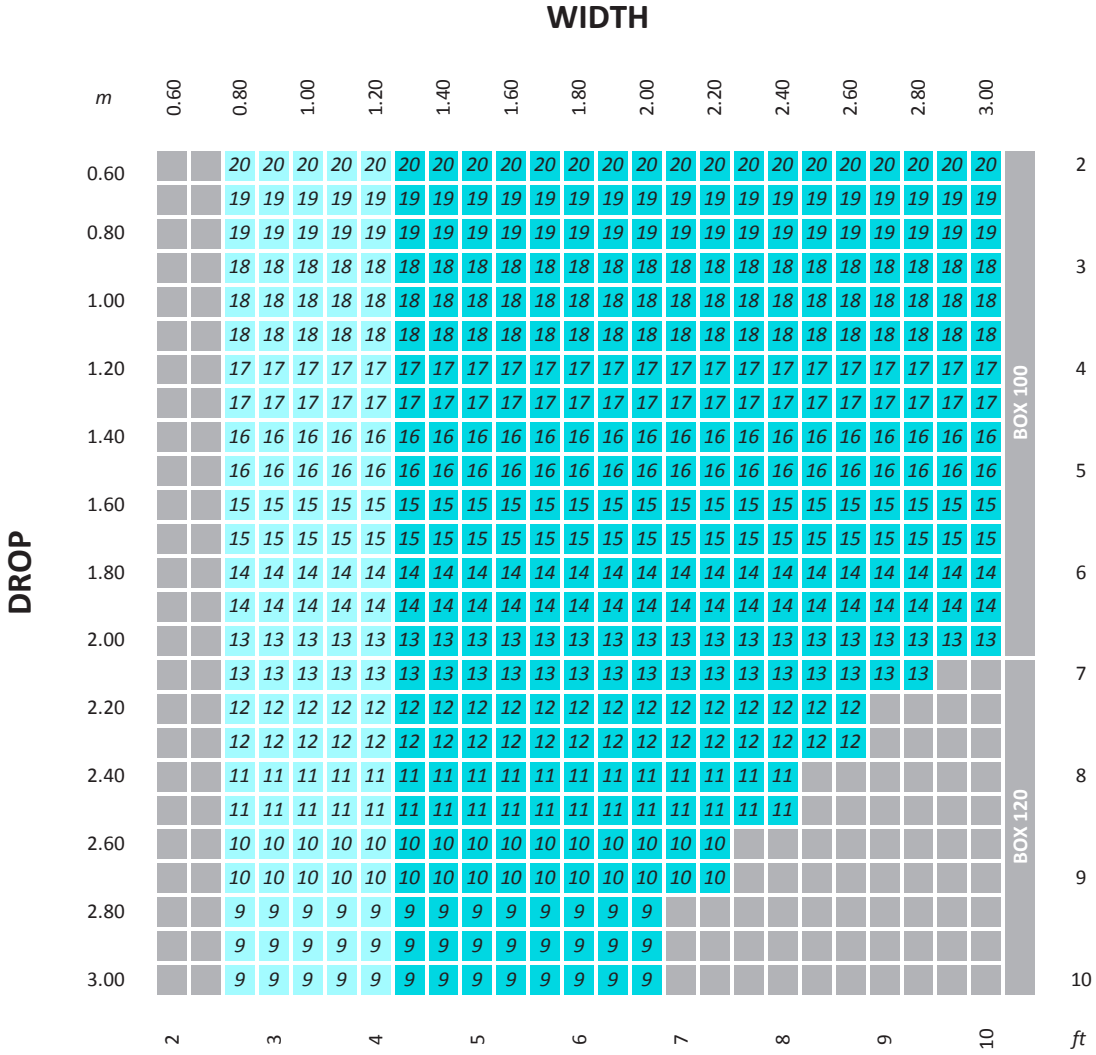
REFER TO PRE-TENSION CHARTS FOR PRE-TURNS REQUIRED

Rollease Acmeda does not recommend exceeding suggested pre-turn values



ZIPSCREEN | 60MM TUBE

PARAMETERS: FABRIC: 420GSM (12.4OZ/YD²), WEIGHT/HEM BAR: F72 HD



LEGEND	DESCRIPTION
	Short Booster
	EXTRA Heavy Booster
	Pre-Turns Required
	Cannot be achieved - outside product specifications



ZIPSCREEN | 80MM TUBE

PARAMETERS: FABRIC: 420GSM (12.4OZ/YD²), WEIGHT/HEM BAR: F72 HD

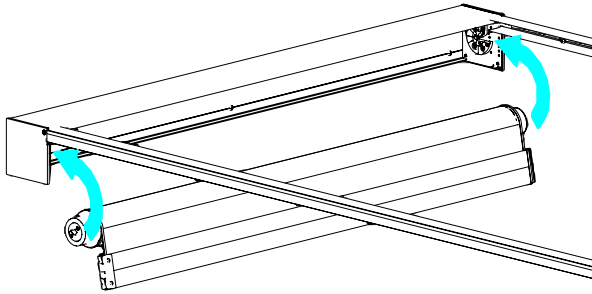
		WIDTH																			
		0.60	0.80	1.00	1.20	1.40	1.60	1.80	2.00	2.20	2.40	2.60	2.80	3.00							
DROP	0.60	21	21	21	21	21	21	21	21	21	21	21	21	21	21	21	21	21	21	21	2
	0.80	20	20	20	20	20	20	20	20	20	20	20	20	20	20	20	20	20	20	20	3
	1.00	19	19	19	19	19	19	19	19	19	19	19	19	19	19	19	19	19	19	19	4
	1.20	18	18	18	18	18	18	18	18	18	18	18	18	18	18	18	18	18	18	18	5
	1.40	18	18	18	18	18	18	18	18	18	18	18	18	18	18	18	18	18	18	18	6
	1.60	17	17	17	17	17	17	17	17	17	17	17	17	17	17	17	17	17	17	17	7
	1.80	17	17	17	17	17	17	17	17	17	17	17	17	17	17	17	17	17	17	17	8
	2.00	16	16	16	16	16	16	16	16	16	16	16	16	16	16	16	16	16	16	16	9
	2.20	16	16	16	16	16	16	16	16	16	16	16	16	16	16	16	16	16	16	16	10
	2.40	15	15	15	15	15	15	15	15	15	15	15	15	15	15	15	15	15	15	15	
2.60	15	15	15	15	15	15	15	15	15	15	15	15	15	15	15	15	15	15	15		
2.80	14	14	14	14	14	14	14	14	14	14	14	14	14	14	14	14	14	14	14		
3.00	14	14	14	14	14	14	14	14	14	14	14	14	14	14	14	14	14	14	14		
	2.60	13	13	13	13	13	13	13	13	13	13	13	13	13	13	13	13	13	13		
	2.80	13	13	13	13	13	13	13	13	13	13	13	13	13	13	13	13	13	13		
	3.00	12	12	12	12	12	12	12	12	12	12	12	12	12	12	12	12	12	12		
		2	3	4	5	6	7	8	9	10										ft	

LEGEND	DESCRIPTION
	Box 120 Short Booster
	Box 120 EXTRA Heavy Booster
##	Pre-Turns Required
	Cannot be achieved - outside product specifications

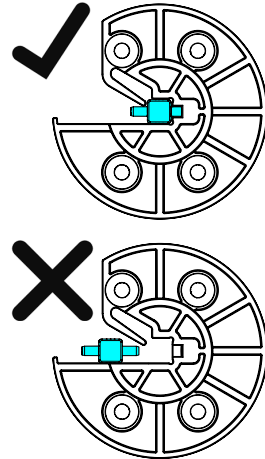


INSTALLING FABRIC/SPRING TUBE INTO BOX

STEP 3. INSTALL FABRIC/SPRING TUBE



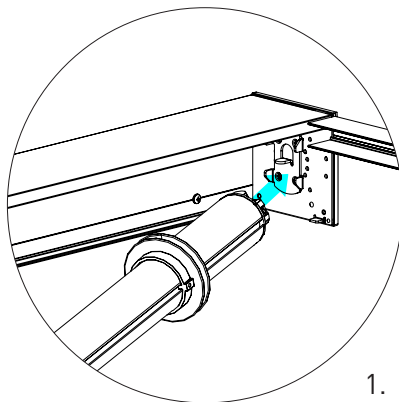
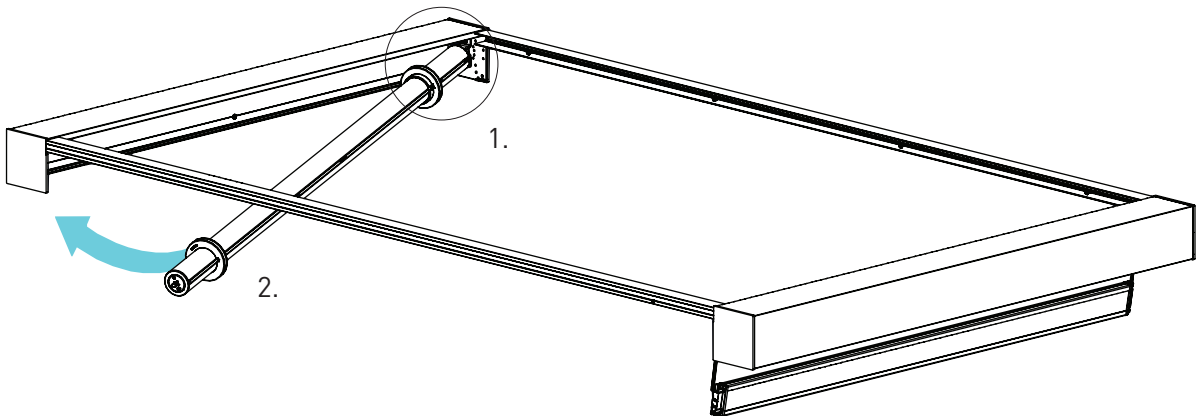
Ensure idler shafts are correctly installed



INSTALLING MOTOR/SPOOL TUBE INTO BOX

STEP 1. INSTALL MOTOR HEAD ONTO MOTOR BRACKET

STEP 2. SWING IDLER END INTO BRACKET



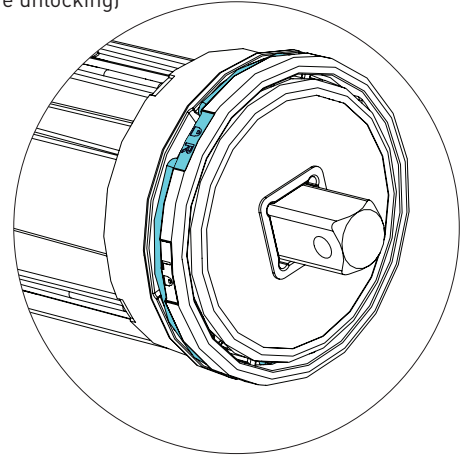
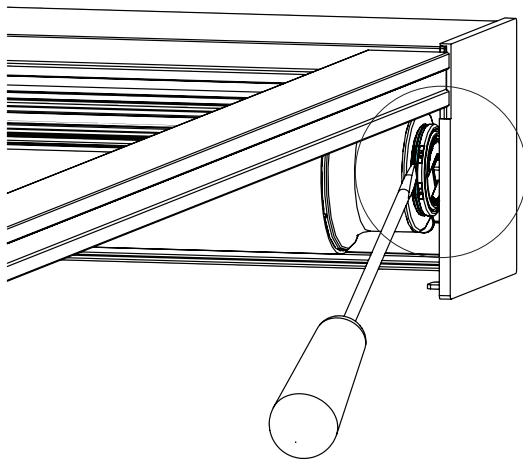
⚠ NOTE: Ensure idler is correctly installed [See Section B, "Installing Fabric/Spring Tube Into Box", Step 3]



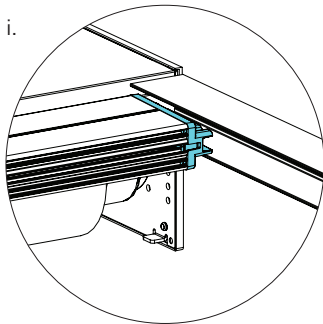
INSTALLING INNER RAILS

STEP 1. UNLOCK PRE-TENSION IDLER

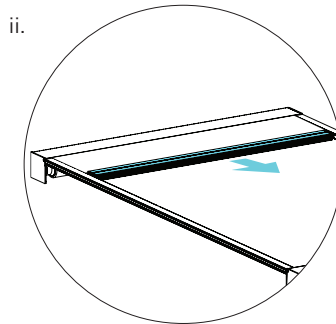
! NOTE: Ensure approx. 380mm (15") of fabric is rolled off the tube before unlocking)



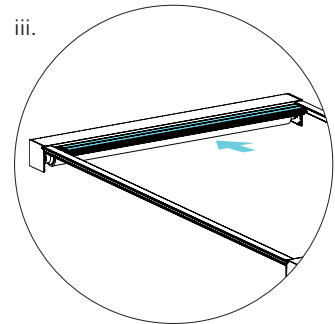
R  LEFT HAND SPRING UN-LOCKED



Rest end caps in U-Channel



Pull weight bar out until click is heard



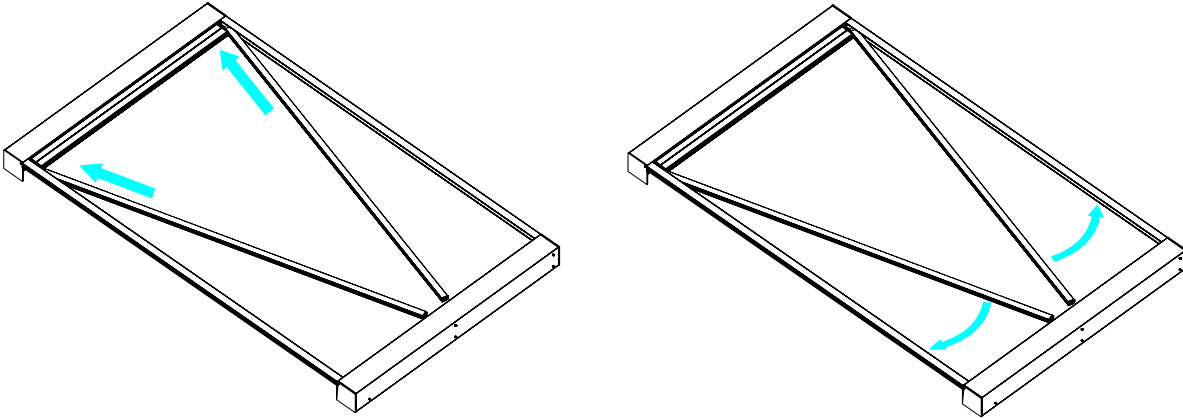
Shade should retract on its own



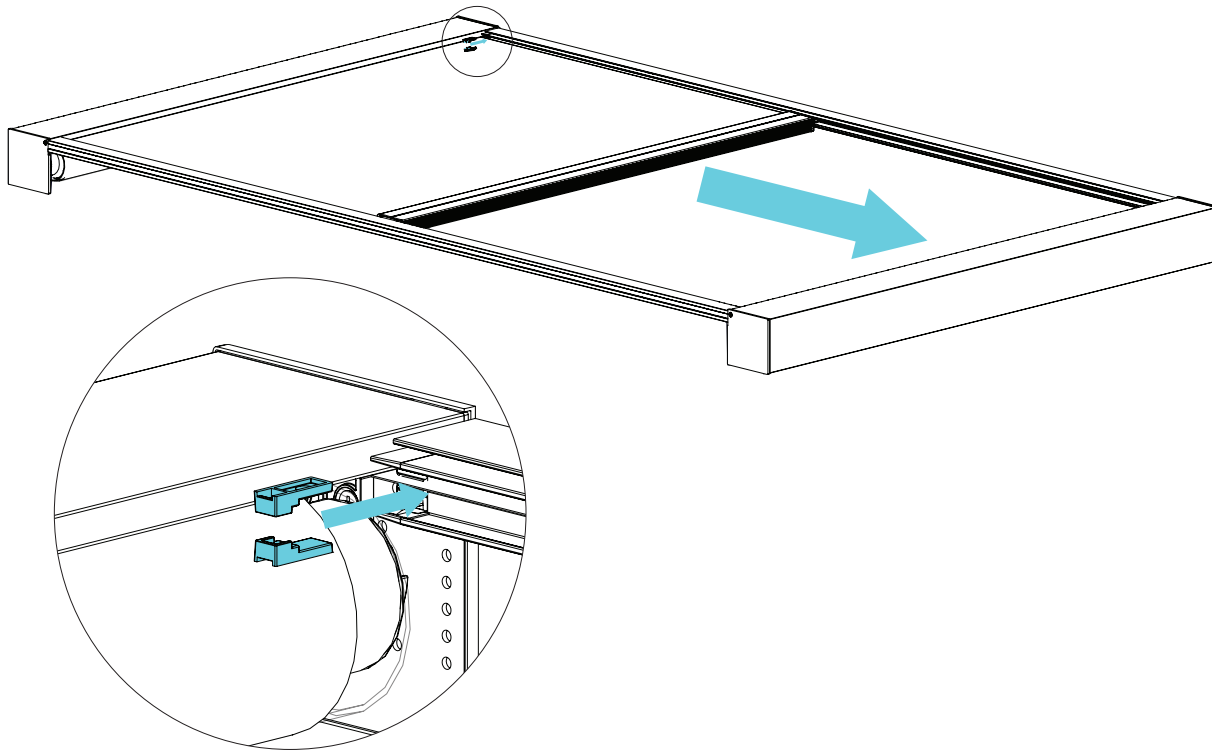
INSTALLING INNER RAILS

STEP 2. INSTALL INNER RAILS AT FABRIC/SPRING END FIRST, THEN SWING IN

⚠ NOTE: Ensure zip engages into funnels/inner rail

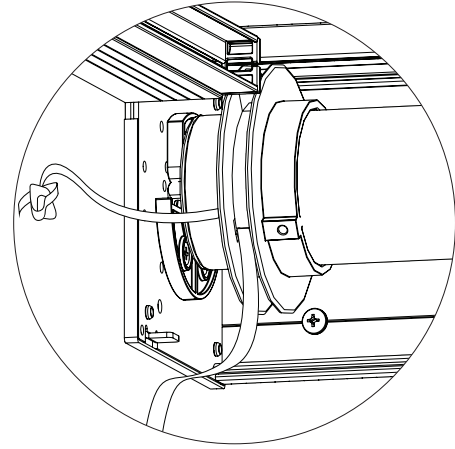
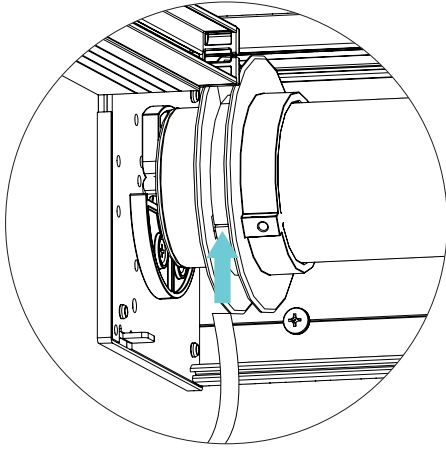
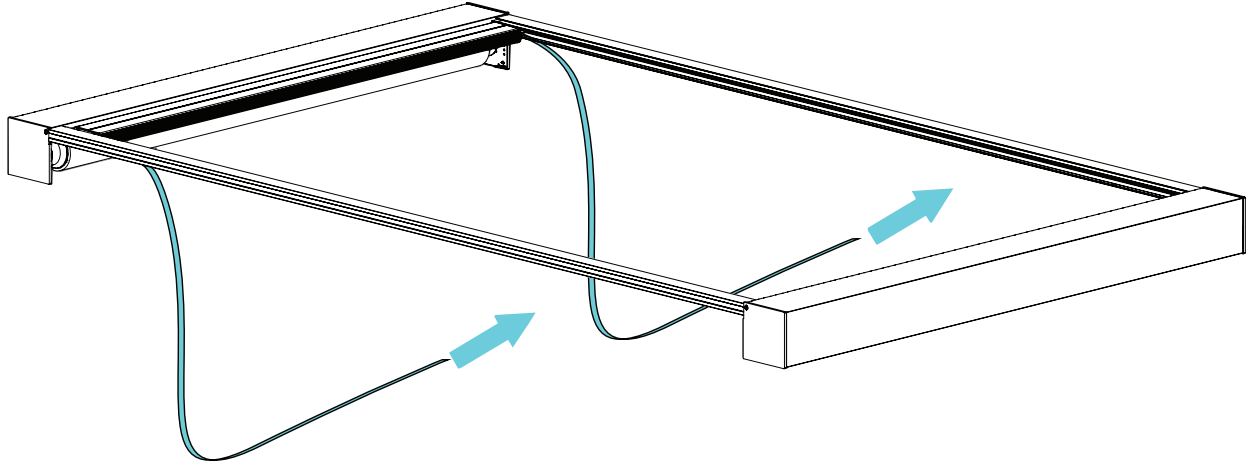


STEP 3. EXTEND AND HOLD OUT SHADE TO INSERT FUNNEL STOPS

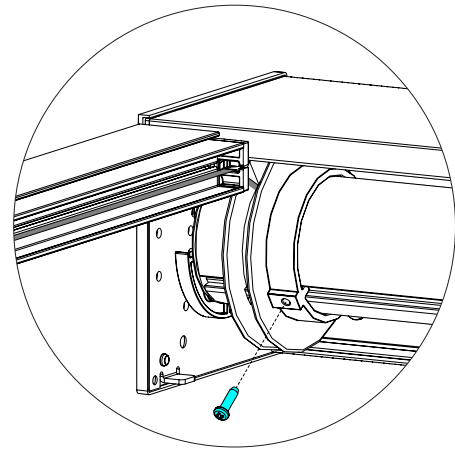
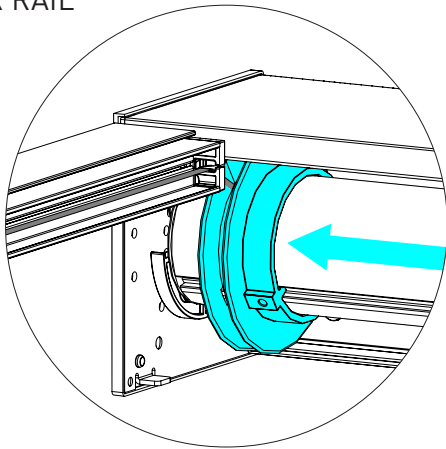


ATTACHING PULL TAPE

STEP 1. ATTACH PULL TAPE TO THE SPOOLS ON MOTOR TUBE



STEP 2. SLIDE SPOOL TOWARDS END PLATES UNTIL THE TAPE IS HIDDEN INSIDE THE INNER RAIL

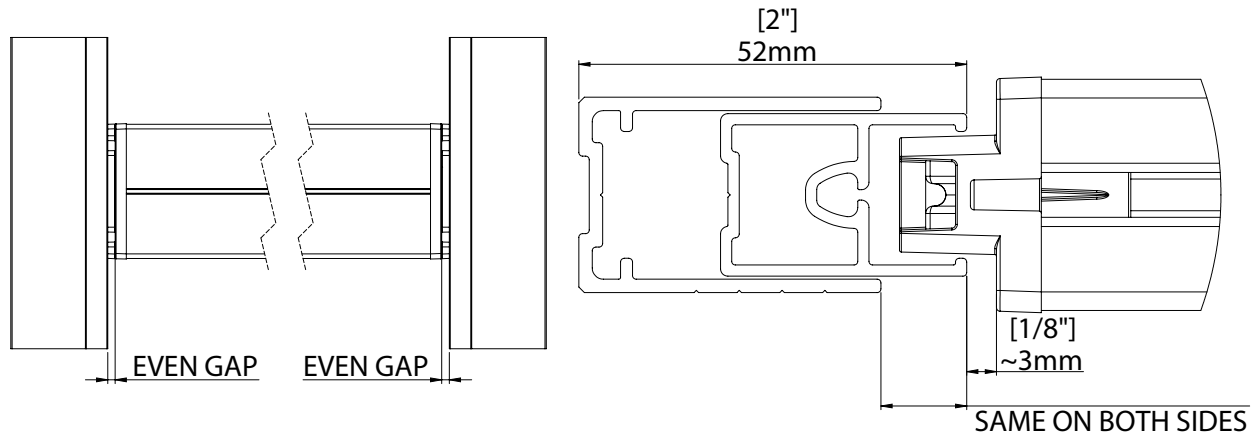


! NOTE: Ensure zip engages into funnels/inner rail



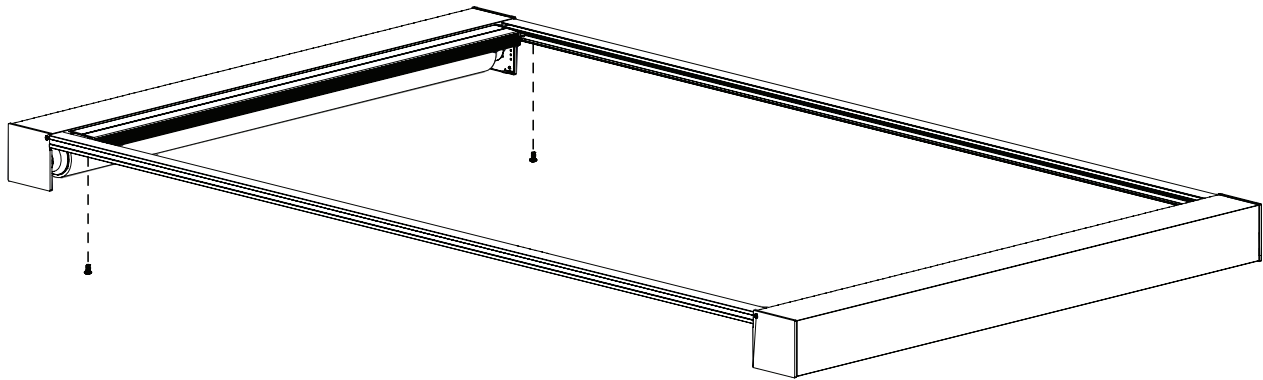
FIXING INNER RAILS

STEP 1. ENSURE WEIGHT BAR & SIDE CHANNELS ARE CENTRALIZED



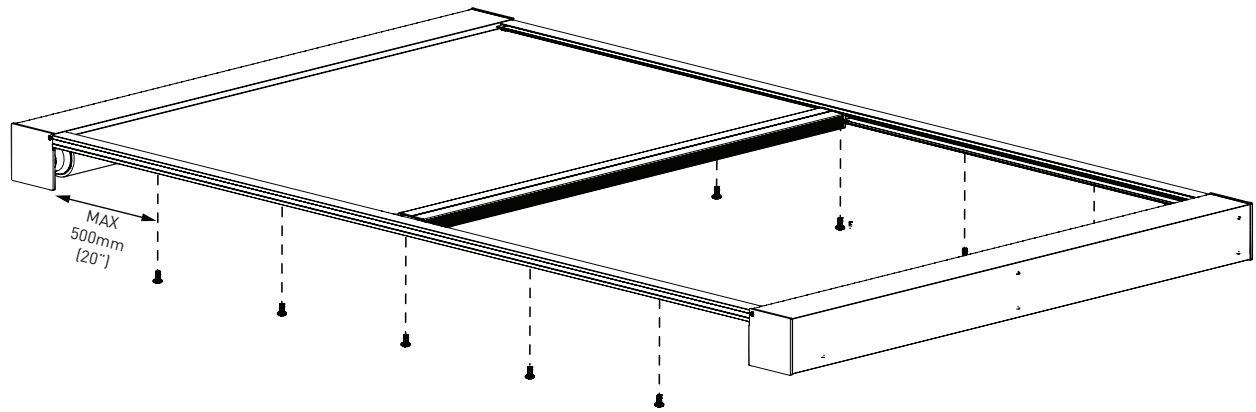
STEP 2. FIX INNER RAIL WITH FABRIC FULLY RETRACTED. BEFORE FIXING, CENTRALIZE THE SHADE BY APPLYING LIGHT FORCE ONTO THE INNER RAILS.

Screws OR Rivets can be used based on installation requirements



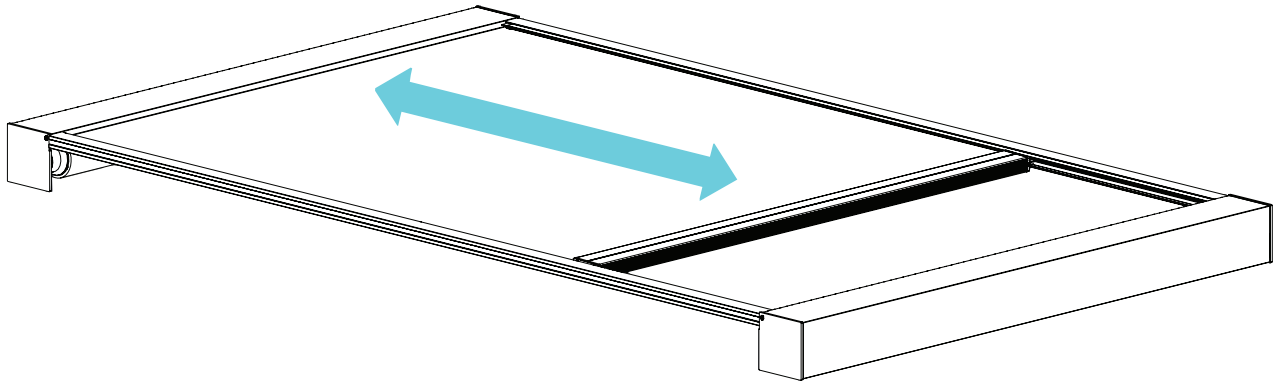
STEP 3. FIX INNER RAIL WITH FABRIC 500MM [20"] FROM 1ST FIXING POINT, REPEAT AT 500MM [20"] SPACINGS OR LESS

Screws OR Rivets can be used based on installation requirements



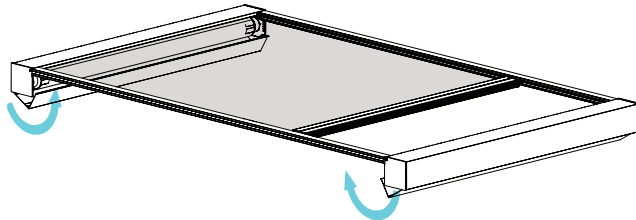
TESTING SKYLIGHT

STEP 1. SET MOTOR LIMITS AND TEST OPERATION

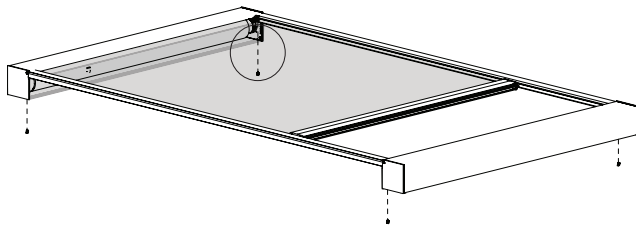


INSTALLING BOX COVERS

STEP 1. SWING BOX COVERS INTO PLACE



STEP 2. FIX INTO PLACE WITH SCREW OR RIVET



NOTE:

It is recommended that the Box covers are fixed in place to ensure they can not be accidentally dislodged.

HOLE LOCATIONS X4

