

Skyline 3" Fascia Bottom Up Roller Shade Chain Control

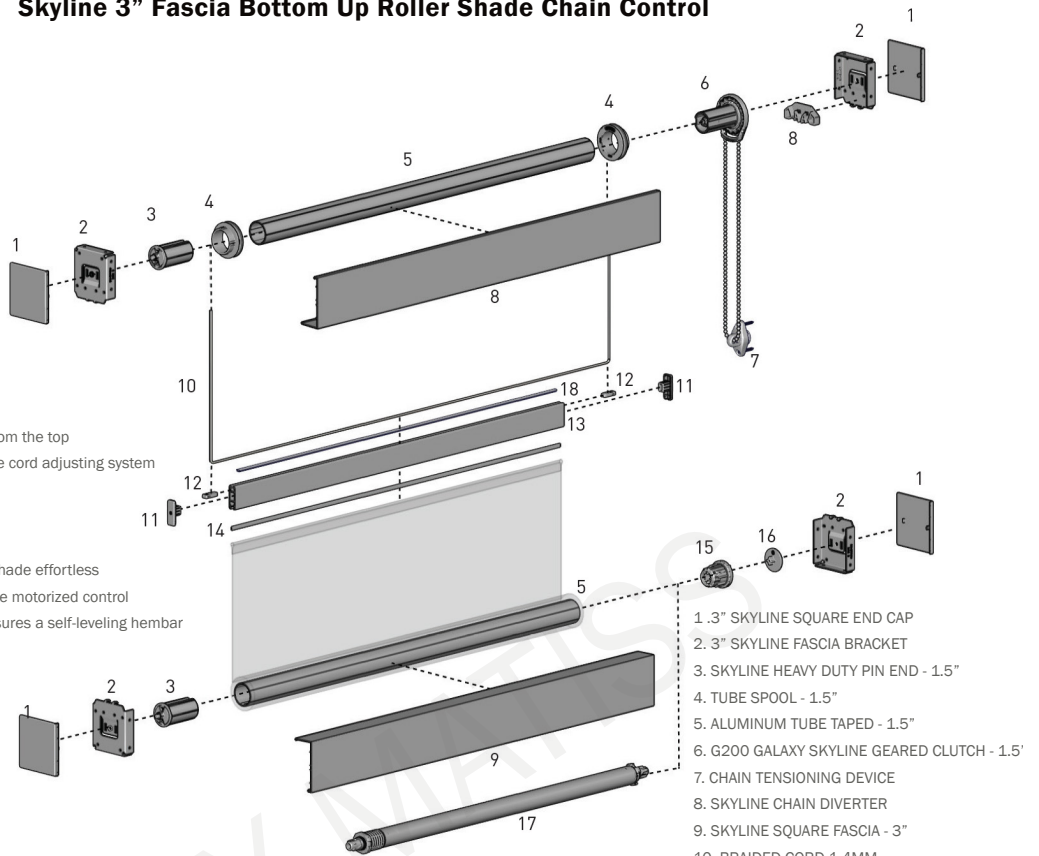
SPECIALTY SYSTEMS SPECIFICATION

Features

- Light harvesting at its best
- Privacy on the bottom and light control from the top
- Self-leveling hem bar thanks to innovative cord adjusting system
- Adjustable cord locations

Functional Benefits

- The geared clutch makes operating the shade effortless
- Easy to update from a clutch control to the motorized control
- Innovative cord adjusting system that ensures a self-leveling hembar

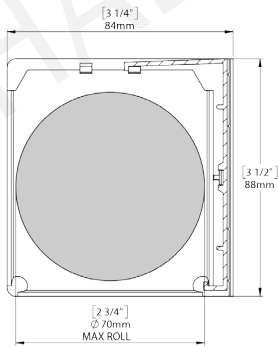


1. 3" SKYLINE SQUARE END CAP
2. 3" SKYLINE FASCIA BRACKET
3. SKYLINE HEAVY DUTY PIN END - 1.5"
4. TUBE SPOOL - 1.5"
5. ALUMINUM TUBE TAPED - 1.5"
6. G200 GALAXY SKYLINE GEARED CLUTCH - 1.5"
7. CHAIN TENSIONING DEVICE
8. SKYLINE CHAIN DIVERTER
9. SKYLINE SQUARE FASCIA - 3"
10. BRAIDED CORD 1.4MM
11. BOTTOM UP RAIL END CAP
12. BOTTOM UP CORD GUIDE KIT
13. BOTTOM UP RAIL
14. FLAT SPLINE - 9.0MM
15. CHAINFREE CONTROL - 1.5"
16. ESU SKYLINE ADAPTER KIT
17. BOOSTER UNIVERSAL - 1.5" - NO STOP
18. BOTTOM UP RAIL SEAL

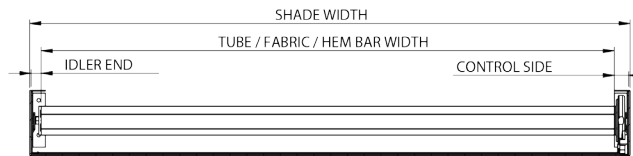
Bottom up – This innovative shading system provides for the most efficient light harvesting allowing room privacy on the bottom and natural light transmission on the top. With a self-leveling hembar operated by a contemporary cord system, this system is both easy to install and to operate.

SPECIFICATIONS

MAX ROLL



DEDUCTION



BRACKETS	PIN END	CONTROL SIDE	TOTAL DEDUCTION
With Bracket Covers	16mm [5/8"]	21mm [13/16"]	37mm [1 7/16"]
Without Bracket Covers	14mm [9/16"]	19mm [3/4"]	33mm [1 5/16"]

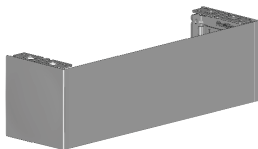
Note: Deductions apply to 3" and 4" Brackets

SYSTEM OPTIONS

G200 SKYLINE SPRING ASSIST



4 INCH FASCIA



CONTROL OPTIONS

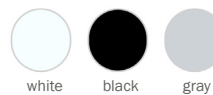
CHAIN CONTROL



MOTORIZED



Hardware Colors

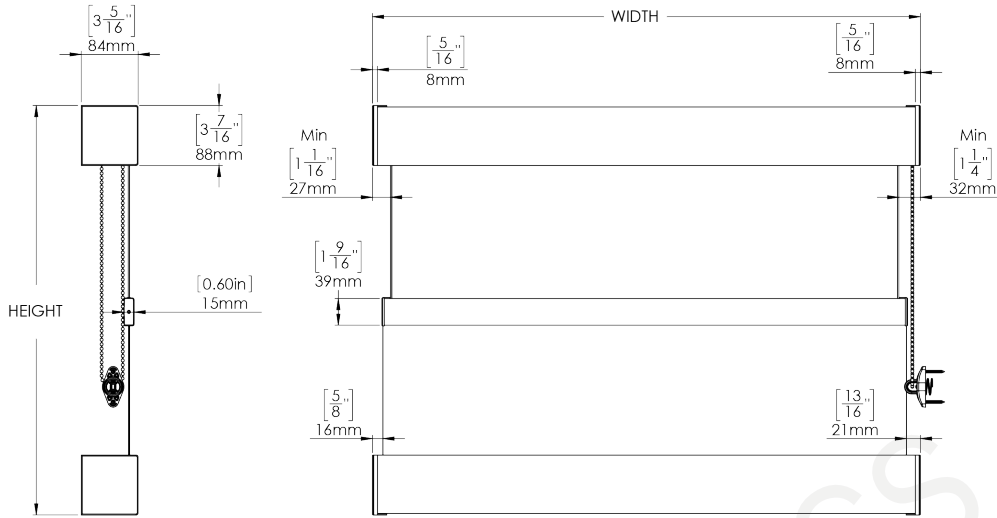


clutch color finishes: white, gray, black
 hembar color finishes: white, black

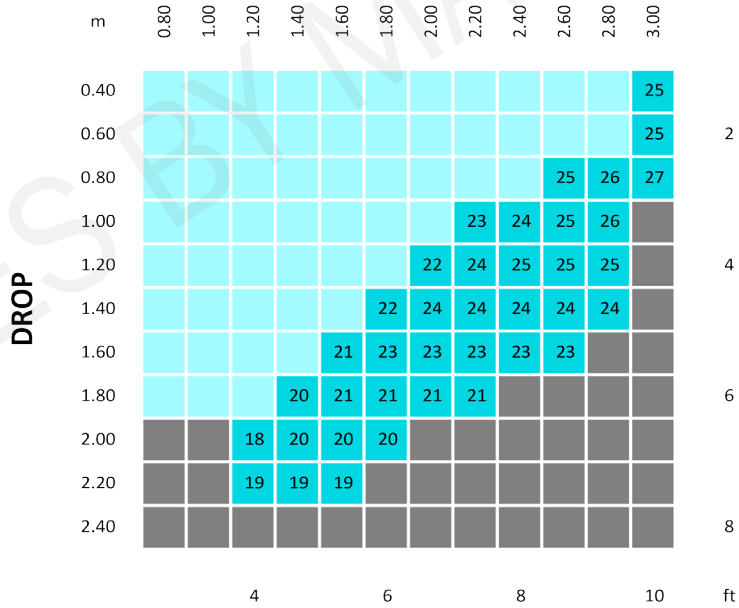


Skyline 3" Fascia Bottom Up Roller Shade Chain Control

SPECIALTY SYSTEMS SPECIFICATION



WIDTH



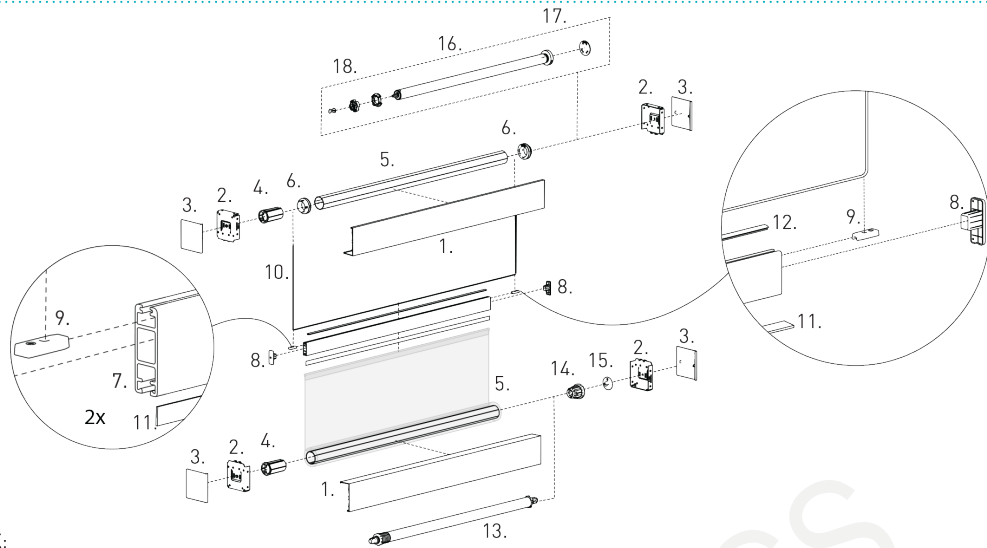
Minimum Blind Width: 670mm / 26.4inches
 G200 36" Spring Assist: 1100mm / 43.3inches

LEGEND	DESCRIPTION
	G200 Galaxy Skyline Geared Clutch
	G200 Galaxy Skyline Geared Clutch + 36" Spring Assist with pre-turns
	Cannot be achieved - outside product specifications



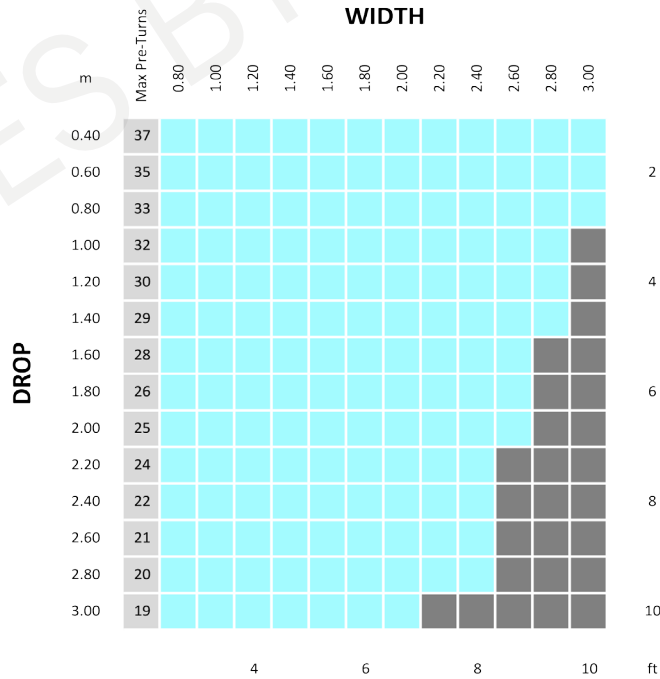
Skyline 3" Fascia Bottom Up Roller Shade Motor Control

SPECIALTY SYSTEMS SPECIFICATION



SYSTEM INDEX:

- | | |
|-----------------------------|---------------------------------------------------|
| 1. Skyline Fascia | 10. Cord |
| 2. Skyline Bracket | 11. Flat Spline |
| 3. Skyline Bracket Cover | 12. Bottom Up Rail Seal |
| 4. HD Pin End | 13. Booster Universal - 1.5" - No Stop |
| 5. 1.5" Tube | 14. Chainfree Control - 1.5" |
| 6. 1.5" Spool | 15. ESU Skyline Adapter |
| 7. Bottom Up Rail | 16. Automate Li-ion 2.0Nm Motor |
| 8. Bottom Up Rail Caps | 17. Automate Li-ion 2.0Nm Motor Adapter |
| 9. Bottom Up Cord Guide Kit | 18. Automate Li-ion 2.0Nm Motor Crown & Drive Kit |



Minimum Blind Width:
AUTOMATE | Li-ion Q2.0Nm: 770mm / 30.3inches

LEGEND	DESCRIPTION
	Skyline [1.5" Tube] + AUTOMATE Q2.0Nm Motor
	Maximum Universal Booster pre-turns (Bottom Tube)
	Cannot be achieved - outside product specifications

