



# SS38 ROMAN SHADE SYSTEM

The new SS38 Roman Shade system by Rollease Acmeda offers a range of applications, a fresh contemporary design and many functional benefits.

The SS38 system features a slim square profile design with a low profile mounting clip that adds discretion to its finish. With its sleek compact design it can achieve lengths up to 13 feet. Use the innovative open slot that allows for easy flat spline fabric insertion. This shade system ensures smooth, quiet movement with the strength to manage shades of any weight – small or large.

No-Sew Roman Bars makes fabricating Roman Shades fast and easy, especially on hard-to-sew fabrics such as sunscreen material. Make perfectly straight pleats every time. No buckles, pockets or stitches ever! The specially designed clear plastic composite was engineered to withstand harsh temperatures, sunlight and its damaging UV radiation. Cottons, polyesters, even sunscreen fabrics look great with No-Sew Roman Bars.

#### Benefits:

- Shade production time is reduced
- Neat, crisp appearance
- Will not discolor
- Consistent positioning: self-aligning lift rings
- Easily adjustable and locking bottom pockets: installer can easily adjust shade height if incorrect
- Universal application: works with all Rollease Acmeda soft shade systems as well as with all cleat or cord lock systems

Rollease Acmeda No-Sew Roman Bars are comprised of an inner rod and outer sleeve. Simply wrap some cloth around an inner rod and slide the outer sleeve over the cloth and rod. Your pleat is now complete. Slide the self-aligning lift rings onto the track and finish off the bar with an end cap at each side.



# SS38 Roman Shade System

The SS38 Roman Shade System offer an elegant square profile, housing operating mechanisms designed for efficient and smooth operation.

## AESTHETIC FEATURES

- Contemporary slimline aluminum profile
- End covers for a neat overall finish

## PRODUCTION & ASSEMBLY FEATURES

- Low profile non obtrusive mounting clips
- Optional spline or hook and loop touch tape fabric attachment
- Effortless installation

## FUNCTIONAL BENEFITS

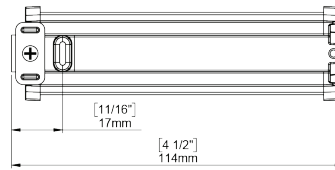
- Smooth and quiet operation
- Guided spool system provides even, level lifting throughout operation
- Straight drop and up to 30 degree angled applications
- ARC protocol allows for smart phone control and IOT integration
- CL 0.8 motor option allows cord spools to be installed at the ends of the head rail, ideal for "unsupported" Roman shades

## SPECIFICATIONS

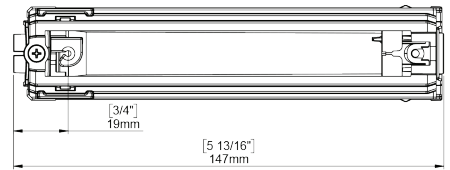
### MAX LIFT WEIGHT

	STANDARD	SLIM
0.8 Nm Motor	5.3 kg [11.7 lbs]	7.2 kg [15.9 lbs]
0.6 Nm Motor	3.4 kg [7.5 lbs]	4.6 kg [10.1 lbs]
Direct Chain	1.9 kg [4.2 lbs]	2.7 kg [6.0 lbs]
Planetary Chain	5.9 kg [13.0 lbs]	7.4 kg [16.3 lbs]

### SPOOL OPTIONS

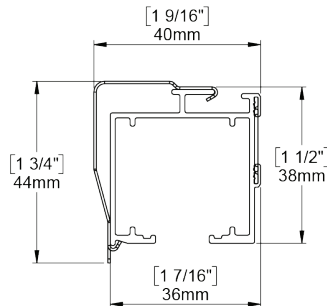


STANDARD SPOOL

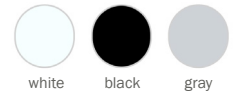


SLIM SPOOL

### LOW PROFILE MOUNTING CLIP



### Hardware Colors



### CHAIN OPTIONS

#### Chainhold



### MOTOR OPTIONS

#### Smart Phone Control



#### IOT Integration



#### Sun Sensor



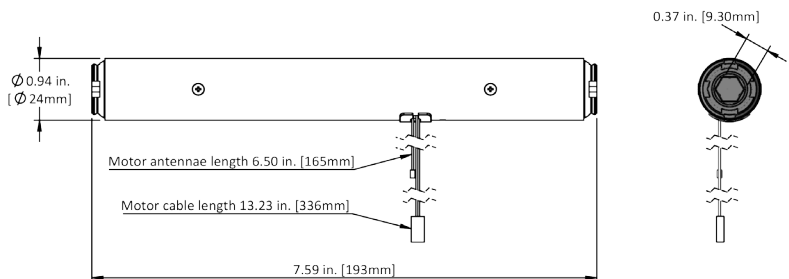
### CL 0.8 Cord Lift Motor

Cord lift technology. Low voltage. Dual shaft.

The CL motor can provide continuous power and its simplified wiring solution is directly compatible with roman shading systems

Voltage	12V DC	Limit Switch Type	Electronic
Torque	0.8 Nm	Current	1.18 A
Max Run Time	6 min	Battery Size/Type	External Battery Pack
Speed	33, 39, 50 RPM	Temp Working Range	32°F to 140°F (0°C to 60°C)
Radio Frequency	433.92 MHz	Insulation Class	I,CL,B
RF Modulation	FSK	Sound Level	60dB
IP Rating	IP40	Power	14W

### DIMENSIONS



### Controllers



Pulse HUB & App



Push 5 remotes

