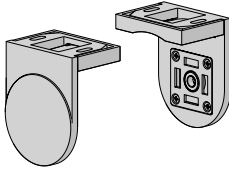
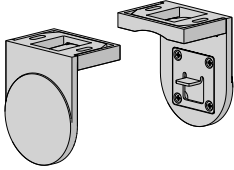


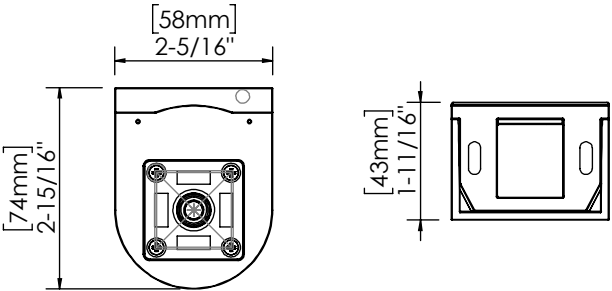
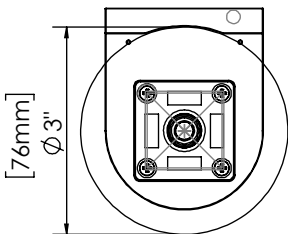
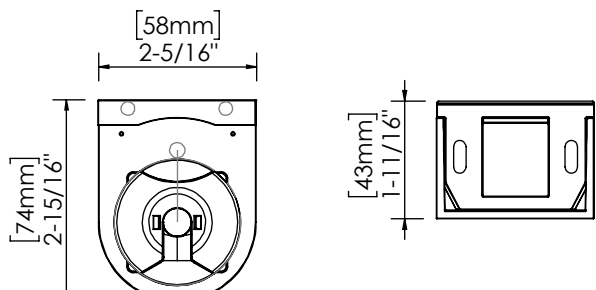
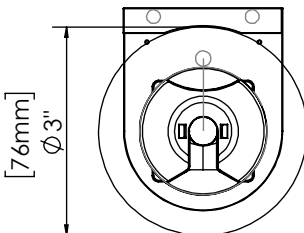
**TOOLS REQUIRED**

Neo Roll Opulence

- Drill
- Hex bits
- Spirit Level
- Measuring Tape
- Pencil
- #8 Hex Screws

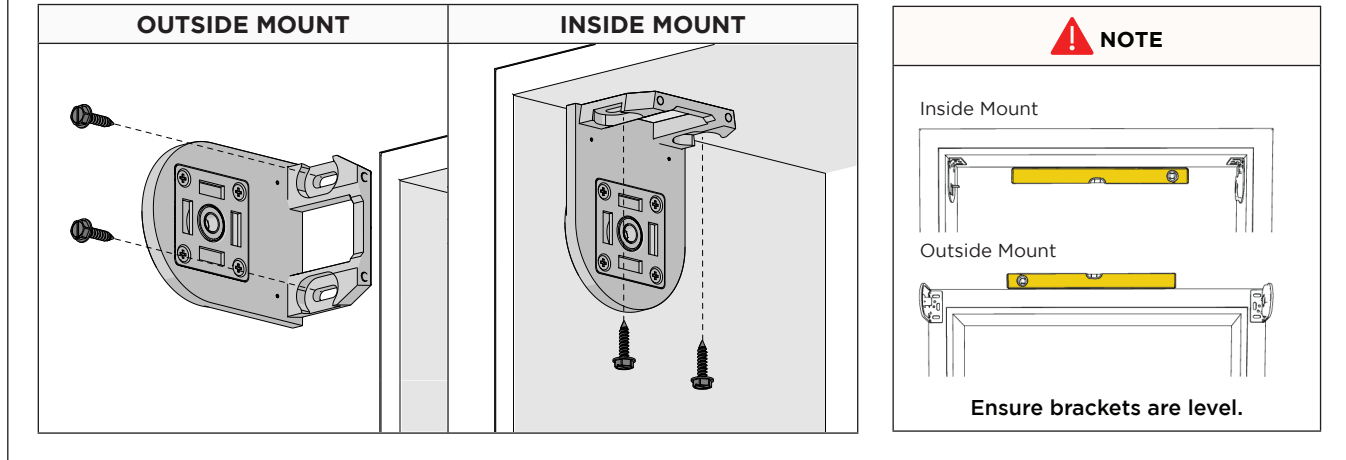
**DEDUCTIONS**

BRACKETS	DEDUCTION
<p style="text-align: center;">Skyline</p> 	<p>1/4" (6.15mm)</p>
<p style="text-align: center;">RB09</p> 	<p>1/4" (6.15mm)</p>

DIMENSIONS	MAX ROLL DIAMETER
<p style="text-align: center;">Skyline</p> 	
<p style="text-align: center;">RB09</p> 	

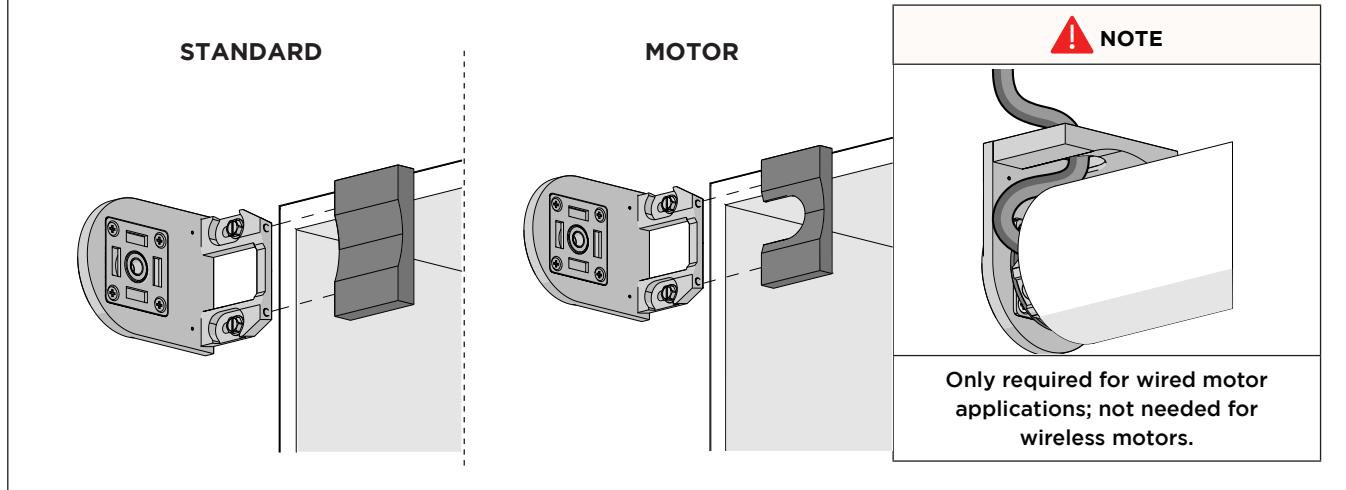
## MOUNTING ORIENTATION

Use #8 Hex screws to install brackets. Screws below are indicative only.



## MOUNTING COVERS

Attach the covers to the brackets



## SHADE INSTALLATION

